

## Fixed Reader Mounting Bracket Instructions

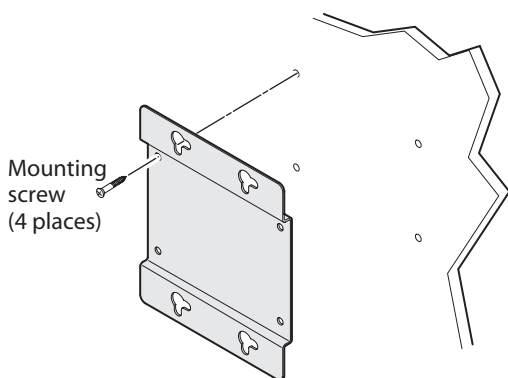
To install the mounting bracket, you need to supply your own mounting screws (6 mm (0.25 in) maximum width).



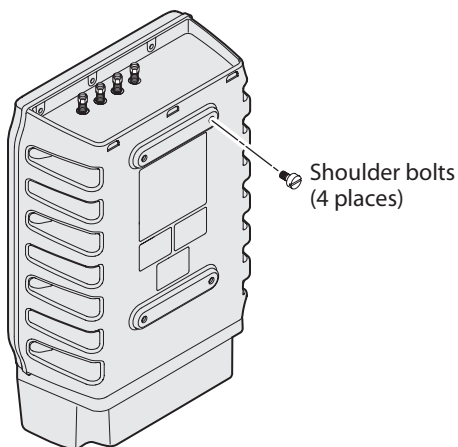
**Note:** The IF61 is certified to an IP54 environmental rating when mounted as described.

### To install the mounting bracket

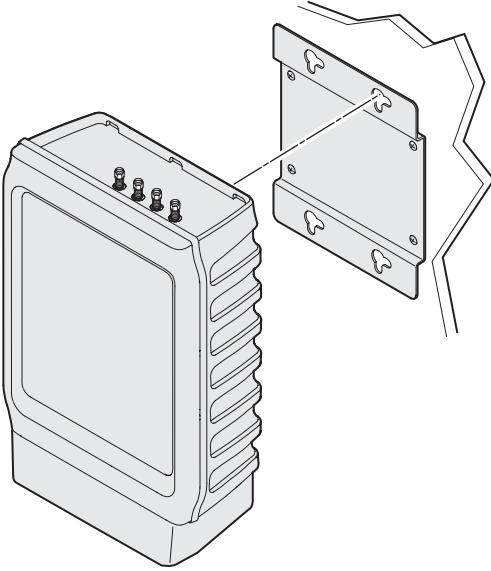
- 1 Orient the mounting bracket as shown in the next illustration and use it as a template to drill four holes in the installation surface.



- 2 Attach the bracket to the surface with four mounting screws.
- 3 Install four shoulder bolts on the underside of the IF61 as shown in the next illustration. Do not overtighten the bolts.



- 
- 4 Position the IF61 on the bracket and slide the shoulder bolts down into the openings on the bracket.



For more information on installing the IF61, see the *IF61 Fixed Reader User's Manual* (P/N 935-011-001).



**Worldwide Headquarters**  
6001 36th Avenue West  
Everett, Washington 98203  
U.S.A.

**tel** 425.348.2600

**fax** 425.355.9551

[www.intermec.com](http://www.intermec.com)

© 2007 Intermec Technologies Corporation. All rights reserved.

IF61 Fixed Reader Mounting Bracket Instructions



P/N 943-118-001