



## SR60 Holster Instructions

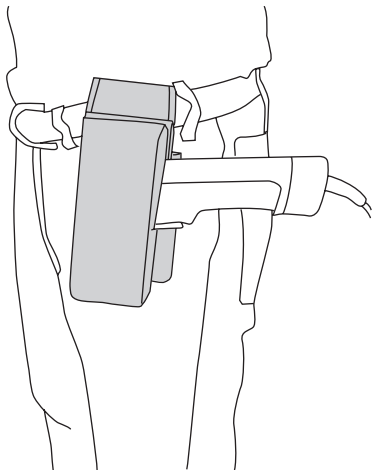
Use the SR60 holster to conveniently attach the scanner to your belt, a forklift, or a post. The anti-skid material on the back of the holster helps keep it positioned correctly when you attach it to a forklift or a post.

The holster kit contains these parts:

- Holster accessory
- Two black zip ties
- This instruction sheet

### To attach holster to your belt

- 1 Unsnap the flap on the back of the holster.
- 2 Place the holster over your belt and snap the flap back together.  
You can position the holster on either your right or left side.
- 3 Insert the SR60 into the holster.

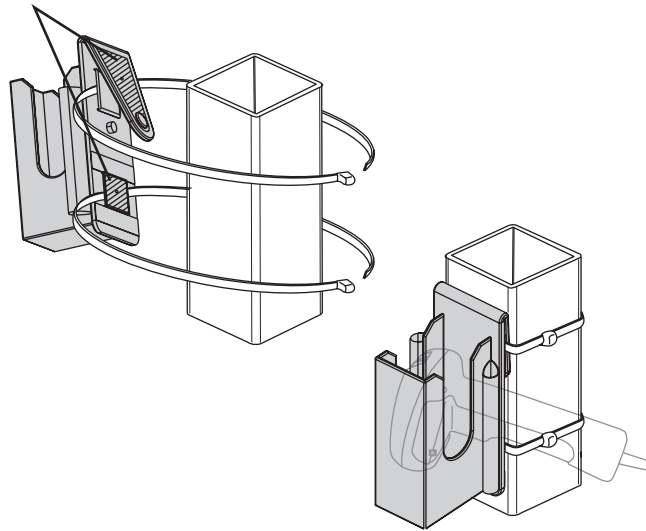


**SR60 Holster:** This illustration shows the SR60 inserted into the holster attached to a belt.

### To mount the holster on a forklift or post

- 1 Unsnap the flap on the back of the holster.
- 2 Insert the two zip ties into the straps located on the back of the holster and snap the flap back into place.
- 3 Position the holster on a forklift or post and secure it with the two zip ties.

Anti-skid material



- 4 Insert the SR60 into the holster.



6001 36th Avenue West  
Everett, Washington 98203  
U.S.A.

**tel** 425.348.2600

**fax** 425.355.9551

[www.intermec.com](http://www.intermec.com)

© 2006 Intermec Technologies  
Corporation. All rights reserved.

SR60 Holster Instructions



P/N 943-061-001 Rev A