



SR60 Mounting Kit Instructions

Use the SR60 Mounting Kit to mount your scanner to a countertop, a wall, under a counter, or on the side of a surface. The SR60 mounting kit contains these parts:

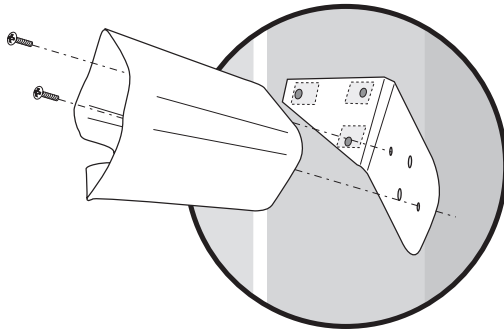
- Scanner holder
- Countertop mounting plate
- Wall or under-the-counter mounting plate
- Side mounting plate
- Three Phillips screws
- Two Torx screws
- Four non-skid feet

To mount the scanner, you need these tools:

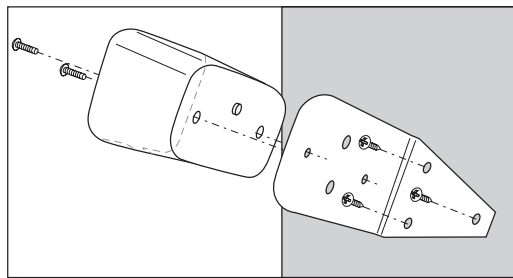
- #2 Phillips screwdriver
- Torx screwdriver

To mount the SR60 to a countertop

- 1 There are two options for using the SR60 with the countertop mounting plate:
 - Attach the mounting plate to the countertop with two Phillips screws.
 - Apply the four non-skid feet to the bottom of the mounting plate and set it on the countertop.
- 2 Attach the scanner holder to the countertop mounting plate with the two Torx screws.



Mounting the SR60 to the Left Side of a Surface with Double-Sided Tape



Alternate Way to Mount the Scanner Holder to the Mounting Plate



6001 36th Avenue West
Everett, Washington 98203
U.S.A.

tel 425.348.2600

fax 425.355.9551

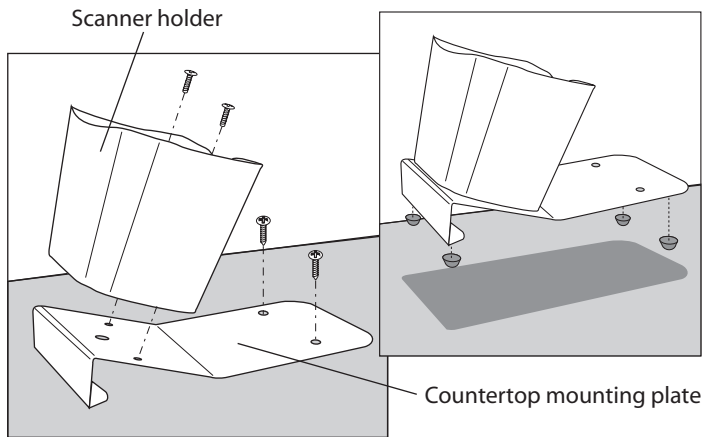
www.intermec.com

© 2006 Intermec Technologies
Corporation. All rights reserved.

SR60 Mounting Kit Instructions



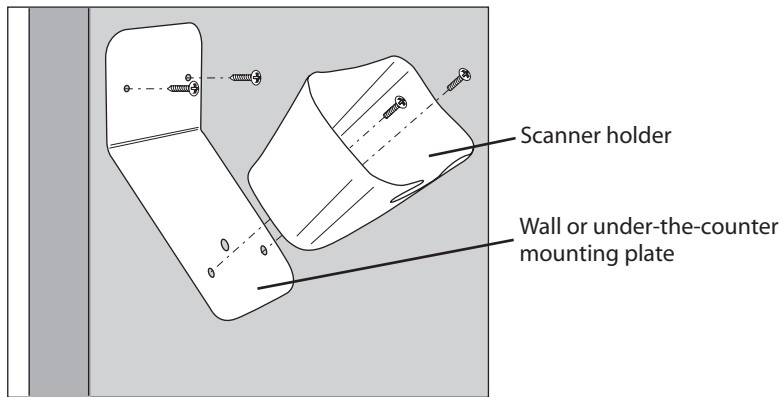
P/N 943-060-001 Rev A



Attaching the SR60 to a Countertop

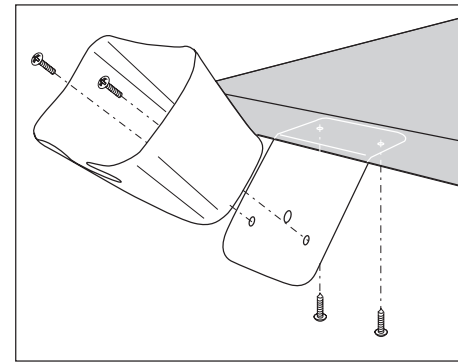
To mount the SR60 to a wall

- 1 Attach the wall mounting plate to the wall with two Phillips screws.
- 2 Attach the scanner holder to the wall mounting plate with the two Torx screws.



To mount the SR60 under a counter

- 1 Attach the wall mounting plate to the underside of a counter with two Phillips screws.
- 2 Attach the scanner holder to the under-the-counter mounting plate with the two Torx screws.



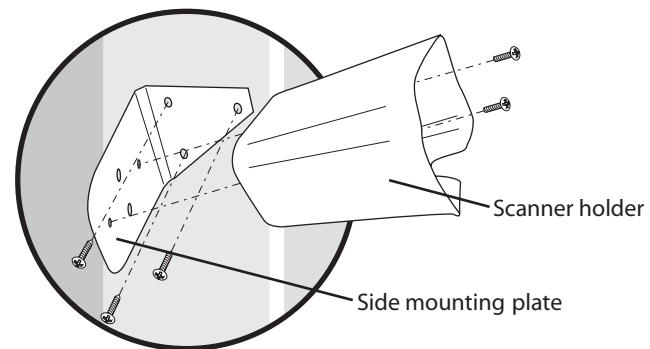
Mounting the SR60 to the Side of a Surface

There are several ways you can mount the SR60 on the side of a surface:

- You can mount the SR60 to the right or left of a surface. If you cannot use screws to attach the holder, you can use double-sided tape.
- You can mount the scanner holder to either side of the side mounting plate.

To mount the SR60 to the left or right side of a surface

- 1 Attach the side mounting plate to the surface with three Phillips screws or double-sided tape.
- 2 Attach the scanner holder to either side of the side mounting plate with the two Torx screws.



Mounting the SR60 to the Right Side of a Surface Using Screws