

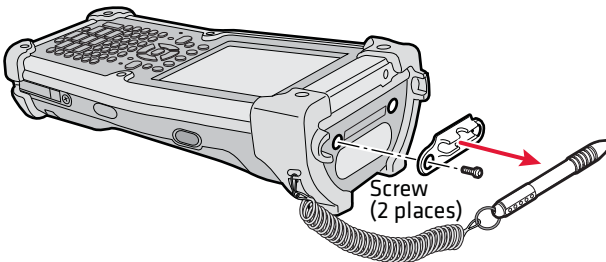
These instructions demonstrate how to upgrade the Windows Operating System (OS) and SmartSystems Platform Bundle (SSPB).

To upgrade the OS and SSPB, you need:

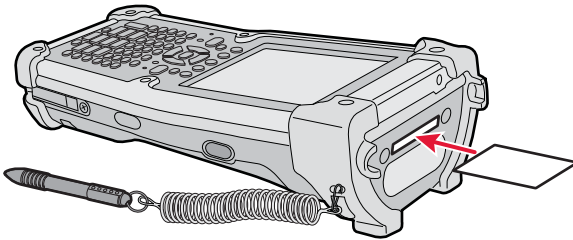
- a CK61G with Windows Mobile 5 Version 3.31 and SmartSystems Platform Bundle (SSPB) Version 5.50 or later.
- a desktop PC with an SD card slot and access to the AIT web site.
- a Secure Digital (SD) card.
- a small Phillips screwdriver.

### To upgrade your Windows Mobile OS

- 1 Go to [www.intermec.com/AIT](http://www.intermec.com/AIT)
  - If you are a new user, create a login and password.
  - If you are a returning user, use your existing login and password.
- 2 Go to **Support > Manuals**.
- 3 From the drop-down menu, select **Computers: CK61G Mobile Computer**.
- 4 Download the latest build for upgrading the OS and extract the .zip files onto an empty SD card.
- 5 Remove the two screws that secure the stylus holder to the CK61G.

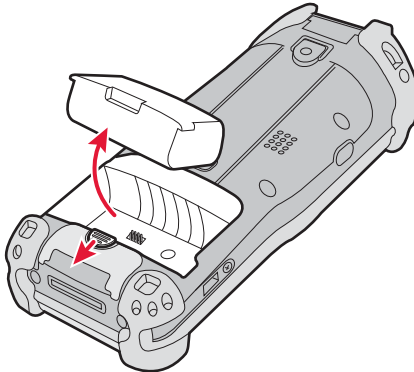


- 6 Insert the SD card that contains the upgrade files into the CK61G. Make sure that the contact pins are facing down and the SD card clicks into place when you insert it.

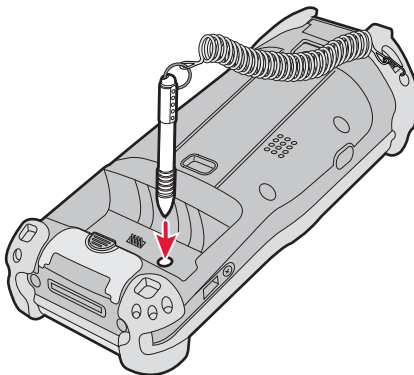


- 7 Cold boot the CK61G:

- a Press the **Power** button to suspend the CK61G.
- b Remove the battery pack from the back of the CK61G.



- c Press the **Reset** button located inside the battery compartment.



- d Insert the battery back into the CK61G.

8 Once the CK61G is cold booted, the upgrade files are extracted and installed.



**Note:** You can track the progress of the installation with the status bar located on the bottom of the bootloader screen.

9 When the “AutoFlash: Complete” screen is displayed, remove the SD card.

10 Restart the CK61G by pressing and holding the **Power** button for a few seconds.

11 Tap **Start > Internet Explorer**.

12 Tap the Intermec logo. On the Intermec page, verify that the OS version is the one you just downloaded from the AIT website.



## To upgrade the SmartSystems Platform Bundle (SSPB)

1 Go to [www.intermec.com/AIT](http://www.intermec.com/AIT)

- If you are a new user, create a login and password.
- If you are a returning user, use your existing login and password.

2 Go to **Support > Downloads**.

3 From the drop down menu, select **Computers: CK61G Mobile Computer**.

4 Download the latest SSPB build and extract the .zip files onto an empty SD card.

5 Insert the SD card into the CK61G.

6 Clean boot the CK61G.

- a Press the **Power** button to suspend the CK61G.
- b Remove the battery pack from the back of the CK61G.
- c Press the **Reset** button located inside the battery compartment.

- d** Insert the battery back into the CK61G and immediately press and hold the **Power** button until a Warning message appears on the display.
  - e** Release the **Power** button, read the message, and press the side scan button on the right to initiate the clean boot.
- 7** After the CK61G clean boots, the SSPB installation starts. You can track the progress by watching the orange status bar on the top of the screen. Note that it may take a few minutes before the installation starts.
  - 8** When the installation is finished and the CK61G reboots, remove the SD card.
  - 9** Tap **Start > Internet Explorer**
  - 10** Tap the Intermec logo. On the Intermec page, verify that the SSPB version is the one you just downloaded from the AIT website.



Worldwide Headquarters  
6001 36th Avenue West  
Everett, Washington 98203  
U.S.A.

tel 425.348.2600

fax 425.355.9551

[www.intermec.com](http://www.intermec.com)

© 2009 Intermec Technologies  
Corporation. All rights reserved.

CK61G Windows Mobile Upgrade Instructions (January 2009)



P/N 942-010-001