

Intermec Technologies Corporation

Worldwide Headquarters

6001 36th Ave.W.

Everett, WA 98203

U.S.A.

[www.intermec.com](http://www.intermec.com)

The information contained herein is provided solely for the purpose of allowing customers to operate and service Intermec-manufactured equipment and is not to be released, reproduced, or used for any other purpose without written permission of Intermec Technologies Corporation.

Information and specifications contained in this document are subject to change without prior notice and do not represent a commitment on the part of Intermec Technologies Corporation.

© 2004 - 2008 by Intermec Technologies Corporation. All rights reserved.

The word Intermec, the Intermec logo, Norand, ArciTech, Beverage Routebook, CrossBar, dcBrowser, Duratherm, EasyADC, EasyCoder, EasySet, Fingerprint, i-gistics, INCA (under license), Intellitag, Intellitag Gen2, JANUS, LabelShop, MobileLAN, Picolink, Ready-to-Work, RoutePower, Sabre, ScanPlus, ShopScan, Smart Mobile Computing, SmartSystems, TE 2000, Trakker Antares, and Vista Powered are either trademarks or registered trademarks of Intermec Technologies Corporation.

Wi-Fi is a registered certification mark of the Wi-Fi Alliance.

Microsoft, Windows, and the Windows logo are registered trademarks of Microsoft Corporation in the United States and/or other countries.

Bluetooth is a trademark of Bluetooth SIG, Inc., U.S.A.

This product includes software developed by the OpenSSL Project for use in the OpenSSL Toolkit ([www.openssl.org](http://www.openssl.org)).

This product includes cryptographic software written by Eric Young ([EAY@cryptsoft.com](mailto:EAY@cryptsoft.com)).

This product uses Regex++, Index software during its operational phases. The owner of Regex++ has granted use of the software to anyone provided such use is accompanied by the following copyright and permission notice:

Regex++, Index. (Version 3.31, 16th Dec 2001)

Copyright © 1998-2001 Dr John Maddock

Permission to use, copy, modify, distribute and sell this software and its documentation for any purpose is hereby granted without fee, provided that the above copyright notice appear in all copies and that both that copyright notice and this permission notice appear in supporting documentation. Dr John Maddock makes no representations about the suitability of this software for any purpose. It is provided "as is" without express or implied warranty.

# Introduction

To increase the file storage and software installation on your CV60, you must either upgrade the hard drive or the PC card. For a CV60 with Windows XP or XPE, upgrade the hard drive. For a CV60 with Windows CE, upgrade the PC card.

In this guide you will find the following sections:

- Upgrading the Hard Drive
- Upgrading the PC Card
- Attaching the Certificate of Authenticity (COA) Label
- Setting the Boot Device Priority



**The following procedure in this manual may cause you to touch components (such as printed circuit boards) that are susceptible to damage from electrostatic discharge (ESD). You must follow ESD guidelines to avoid damaging the equipment you are servicing.**

## Upgrading the Hard Drive

Use the following procedure to upgrade the hard drive for a CV60 with Windows XP or XPE.

There are three hard drive kits available:

- Upgrade Hard Drive Kit (40 GB, rotating drive) (P/N 237-265-001)
- Upgrade Hard Drive Kit (8 GB, solid state drive) (P/N 237-275-001)
- Upgrade Hard Drive Kit (8 GB, IDE) (P/N 237-276-001)

## Packing List

In addition to one of the three hard drive kits listed above, you need a small Phillips screwdriver.

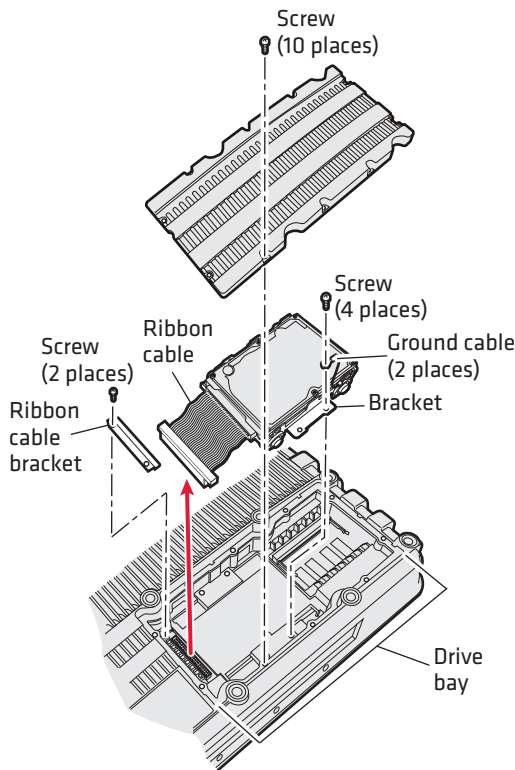
Each upgrade hard drive kit includes these items:

- Hard drive (1)

- Bracket (1)
- Ribbon cable (1)
- Ground cables (only with rotating drives) (2)
- Screws (4)

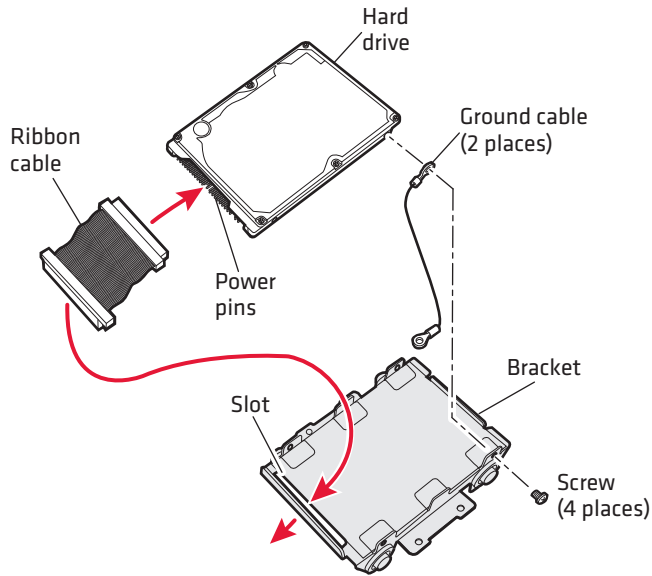
**To remove the existing hard drive**

- 1** Turn off the CV60 by tapping **Start > Turn Off Computer > Turn Off**.
- 2** Detach the power cord from the CV60 to disconnect it from AC power.
- 3** Remove the ten screws securing the rear cover.
- 4** Unscrew the two screws on the ribbon cable bracket.
- 5** Unscrew the four screws attaching the bracket to the drive bay.
- 6** Detach the ribbon cable from the drive bay.

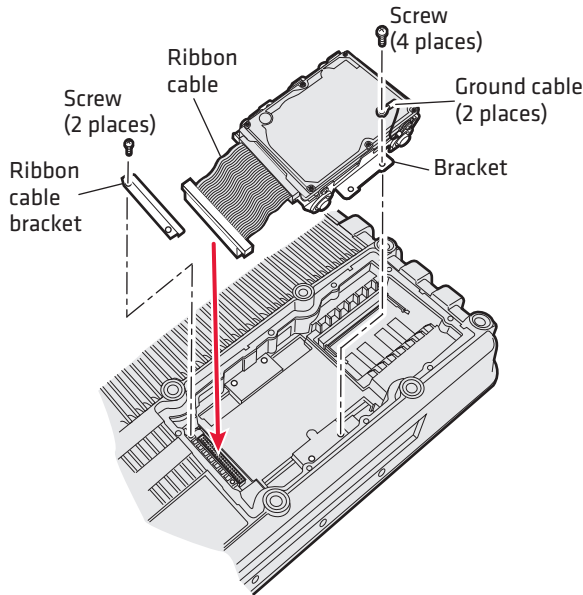


## To install a new hard drive

- 1 Attach the ribbon cable to the hard drive. Make sure that the red wire on the ribbon cable is closest to the power pins. The power pins are a group of four pins separated from the rest of the row by one space.



- 2 Slip the ribbon cable through the slot in the bracket.
- 3 Place the hard drive on top of the bracket and install each of the four screws that secure the hard drive to the bracket. For a rotating hard drive, attach the two ground cables using two of the four screws.



- 4** Attach the ribbon cable to the pins in the drive bay.
- 5** Attach the hard drive and bracket assembly to the drive bay with four screws.
- 6** Attach the ribbon cable bracket with two screws.
- 7** Replace the ten screws that attach the rear cover.
- 8** Follow procedures for attaching the Certificate of Authenticity (COA) Label.

## Upgrading the PC Card

Use the following procedures to upgrade the PC card for a CV60 with Windows CE.

There are two upgrade card kits available:

- Upgrade Card Kit (64 MB) (P/N 237-217-001)
- Upgrade Card Kit (64 MB, Intermec Terminal Emulation) (P/N 237-219-001)

The CV60 has a 68-pin PC card drive that can accommodate both Type I and Type II devices. To access the card drive slots on the CV60, you must remove the radome cover.

## Packing List

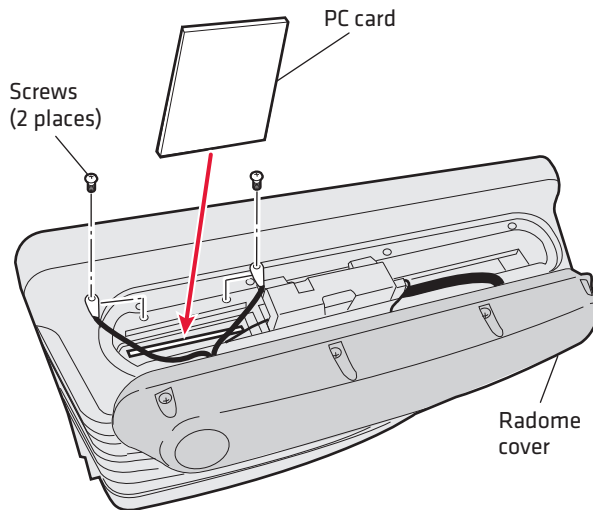
To upgrade the PC card, you need a small Phillips screwdriver, and one of the Upgrade PC Card Kits listed above.

Each of the upgrade PC card kits includes these items:

- PC card (1)
- Certificate of Authenticity (COA) label (1)

### To insert a PC card

- 1** Remove the eight screws that secure the radome cover to the CV60.
- 2** Carefully lift the radome cover and remove the two antenna screws. This exposes the PC card slot.



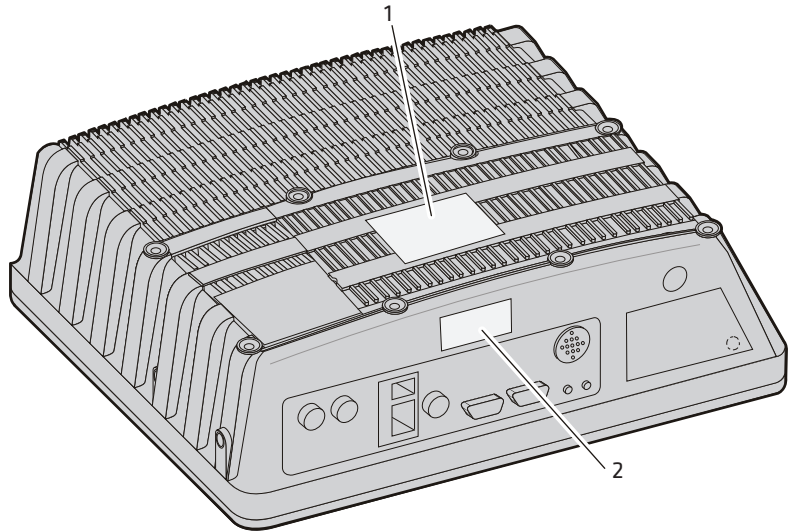
- 3** Push the PC card into the slot until it latches into place.
- 4** Attach the two antenna screws.
- 5** Attach the radome with the eight screws.
- 6** Follow the procedures for attaching the Certificate of Authenticity (COA) label.

# Attaching the Certificate of Authenticity (COA) Label

After you upgrade the hard drive or PC card, you must attach the Certificate of Authenticity (COA) label onto the CV60. The COA label contains the product identification number that you may use to reinstall the operating system in the future and proves that you have rights to the new operating system.

## To attach the COA label

- 1 Peel the COA label from the backing.
- 2 Stick the COA label on one of the two locations in the picture below:



# Setting the Boot Device Priority

After you install a new hard drive or PC card, you need to set the boot device priority. Before you begin, you must decide which drive to boot from:

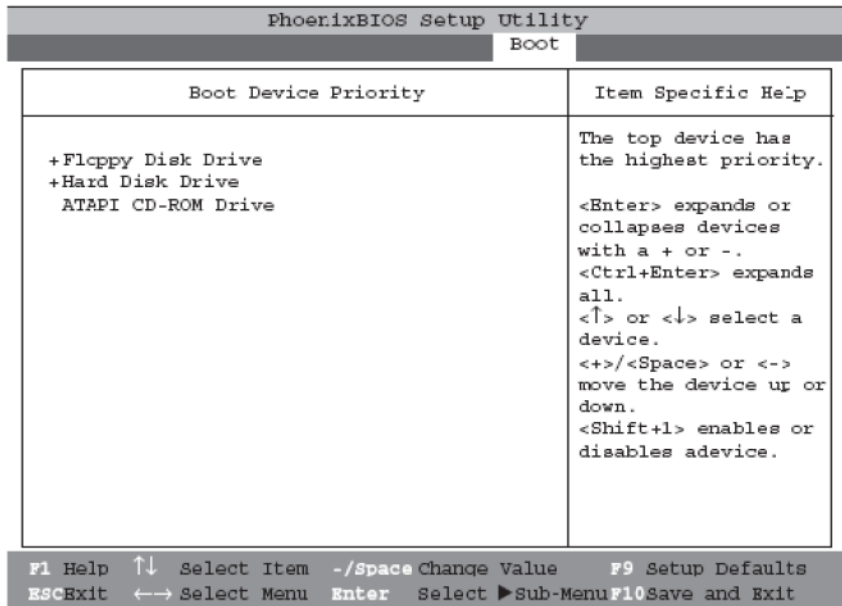
- For a CV60 with Windows CE, boot from the PC card.
- For a CV60 with Windows XP or XPE, boot from the hard drive.



**Note:** You must attach a PS/2 keyboard to complete this procedure.

### To set the boot device priority

- 1 Plug the keyboard into the CV60.
- 2 Connect a power cord to the CV60 and connect the cord to AC power. The CV60 automatically boots.
- 3 While the CV60 boots, press **F2**. The PhoenixBIOS Setup Utility screen appears.



- 4 Use the left or right arrow key to select the **Boot** tab from the PhoenixBIOS Setup Utility.
- 5 Do one of the following:
  - To boot from the PC card, on the Boot screen, use the up or down arrow key to select the PC card from the left pane.



- To boot from the hard drive, on the Boot screen, use the up or down arrow key to select the hard drive from the left pane.
- 6** Press **Shift** - **+** to move the PC card or hard drive so it is first on the list.
  - 7** Use the right arrow key to select the **Exit** tab.
  - 8** On the Exit screen, select **Exit Saving Changes** and press **Enter**.
  - 9** On the Set Up Confirmation dialog box, select **Yes** to save the changes you just made.



**Note:** When you start the CV60 for the first time, it will take several minutes to boot up.





Worldwide Headquarters  
6001 36th Avenue West  
Everett, Washington 98203  
U.S.A.

tel 425.348.2600

fax 425.355.9551

[www.intermec.com](http://www.intermec.com)

© 2008 Intermec Technologies  
Corporation. All rights reserved.

## CV60 Vehicle Mount Computer Hard Drive Installation Guide



P/N 932-013-001