

RAM Mount Installation Instructions

Use these instructions to securely install your CV60 Vehicle Mount Computer in an overhead or upright position.

There are four different mounting kits available:

- the Desktop Mounting Kit (P/N 203-785-002)
- the Standard Vehicle Mounting Kit (P/N 203-784-002)
- the Stubby Vehicle Mounting Kit (P/N 203-783-002)
- the Stubby Extra Duty Vehicle Mounting Kit (P/N 203-857-001)

Use the Standard Vehicle Mounting Kit if you are attaching the keyboard tray or installing your CV60 overhead. Use any of the other mounting kits if you are not attaching a keyboard tray.



Note: For the vehicle mounting kits, you may be required to drill and tap 1/4-20 holes and use your own hardware to secure the mounting base to the surface.

Installing the Mounting Kits

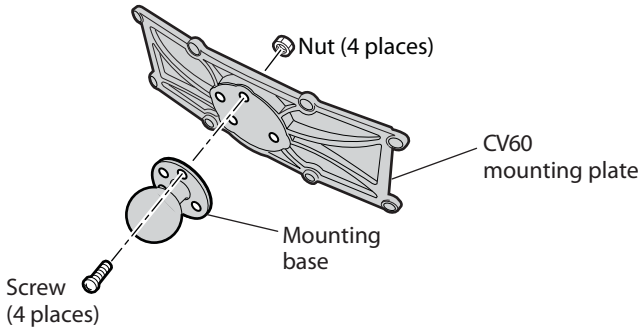
The instructions on the next page shows you how to install the mounting kits for the CV60.

Mounting Kit Parts List

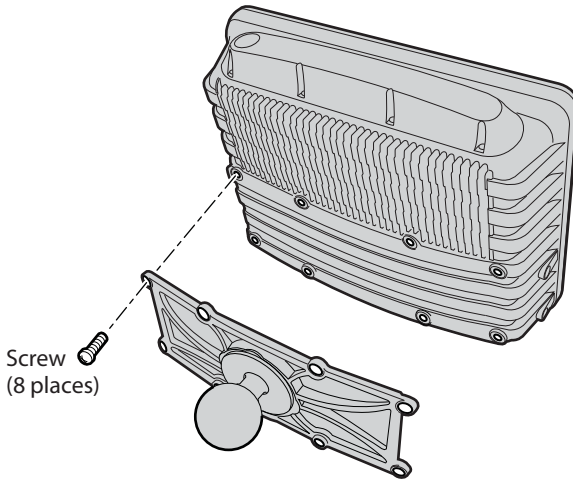
Description	Quantity
Pivot arm	1
Mounting bases	2
CV60 mounting plate	1
Desktop mounting plate (for Desktop Mounting Kit only)	1
Rubber feet (for Desktop Mounting Kit only)	4
Installation instructions	1
Screw, 1/4-20 x 5/8" FH, BLK STL	8
Nut, 1/4-20 locking	4
Screw, 1/4-20 x 3/4" BLK STL	4
Nut, 5/16-18 STL nylon	4
Cap screw, 5/16-18 x 1" FH, HEX DRIVE	4

To install the mounting kit

- 1 Fasten a mounting base to the CV60 mounting plate using the four 5/16-18 x 1" cap screws and locking nuts.

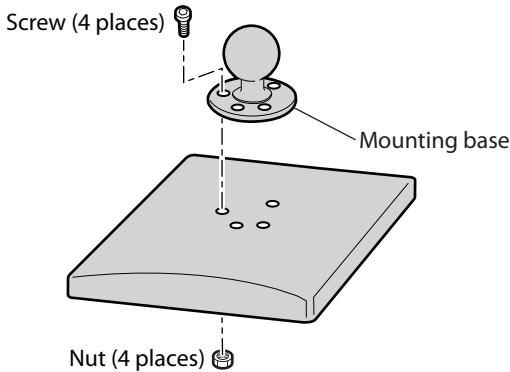


- 2 Now secure the assembly created in Step 1 to the back of the CV60 using the eight 1/4-20 x 5/8" screws provided.



3 If you are using the Desktop Mounting Kit:

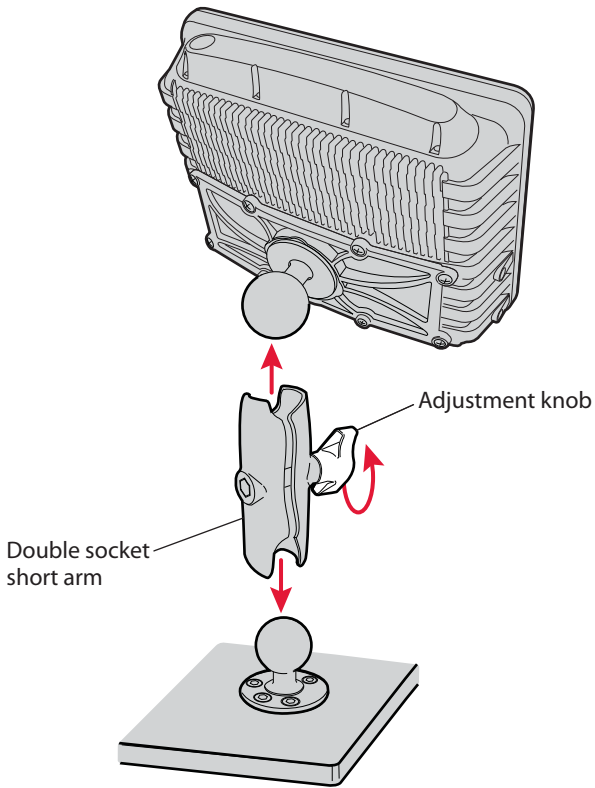
- a** Fasten the second mounting base to the desktop mounting plate using the four 1/4-20 x 3/4 screws and locking nuts.



- b** Attach the four rubber feet to the bottom of the desktop mounting kit.

If you are using any other kit:

- Fasten the second mounting base where the CV60 is to be located using your own mounting hardware.
- 4** Attach the CV60 to the mounting base you secured in Step 1 by placing the pivot arm over the two mounting bases and then tightening the adjustment knob as shown on the next page.



Worldwide Headquarters
6001 36th Avenue West
Everett, Washington 98203
U.S.A.

tel 425.348.2600

fax 425.355.9551

www.intermec.com

© 2008 Intermec Technologies
Corporation. All rights reserved.

CV60 RAM Mount Installation Instructions



P/N 932-002-003