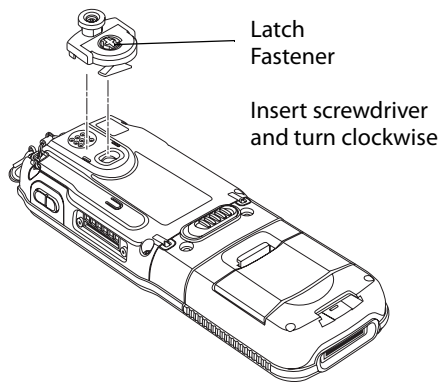




Belt Clip Instructions

Using a Phillips or flat-blade screwdriver, attach the latch fastener for the belt clip to the back of the CN30. Tighten the latch fastener by turning it a quarter turn clockwise with the screwdriver.

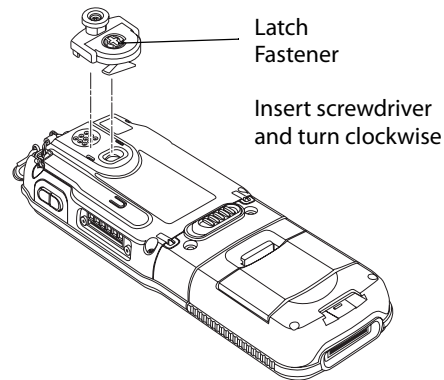
If your CN30 has a handstrap or handle, you need to remove it before you install the belt clip. For help, see the instructions that shipped with your handheld's handstrap.



Belt Clip Instructions

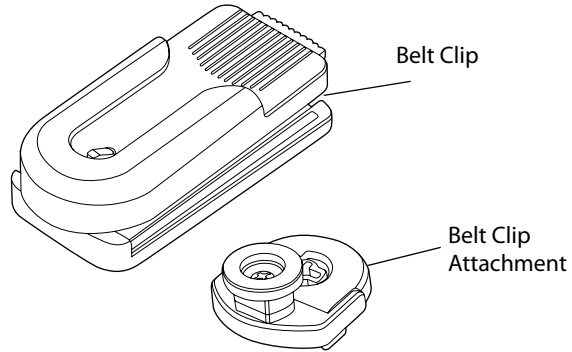
Using a Phillips or flat-blade screwdriver, attach the latch fastener for the belt clip to the back of the CN30. Tighten the latch fastener by turning it a quarter turn clockwise with the screwdriver.

If your CN30 has a handstrap or handle, you need to remove it before you install the belt clip. For help, see the instructions that shipped with your handheld's handstrap.



Belt Clip Instructions

Note: The belt clip (or other accessories) may only be installed one at a time.



Snap the belt clip onto your belt by squeezing the rear clamp. Press the button at the top of the belt clip to remove the CN30 with belt clip attachment.

CN30 Belt Clip Instructions



P/N 931-005-001

Intermec

Corporate Headquarters
6001 36th Avenue West
Everett, Washington 98203 U.S.A.

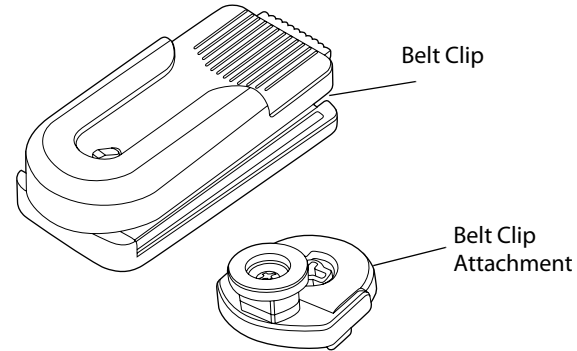
tel 425.348.2600

www.intermec.com

© 2005 Intermec Technologies Corporation. All rights reserved.

Belt Clip Instructions

Note: The belt clip (or other accessories) may only be installed one at a time.



Snap the belt clip onto your belt by squeezing the rear clamp. Press the button at the top of the belt clip to remove the CN30 with belt clip attachment.

CN30 Belt Clip Instructions



P/N 931-005-001

Intermec

Corporate Headquarters
6001 36th Avenue West
Everett, Washington 98203 U.S.A.

tel 425.348.2600

www.intermec.com

© 2005 Intermec Technologies Corporation. All rights reserved.