

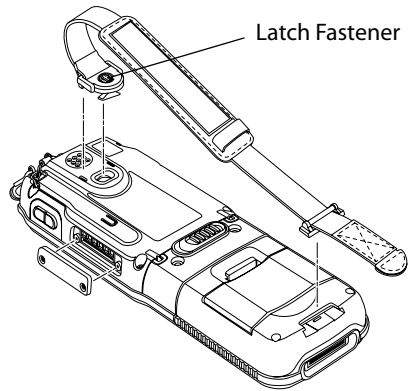


Hand Strap Instructions

The adjustable handstrap provides a comfortable grip for extended operation.

To attach the handstrap

Using a Phillips or flat-blade screwdriver, attach the handstrap fastener to the back of the CN30. Tighten the latch fastener by turning it a quarter turn clockwise.



Note: You will need to remove the hand strap for battery access or to remove the keyboard module.

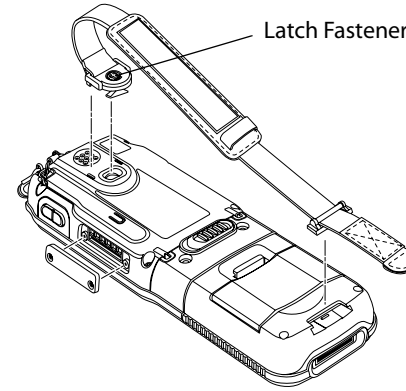


Hand Strap Instructions

The adjustable handstrap provides a comfortable grip for extended operation.

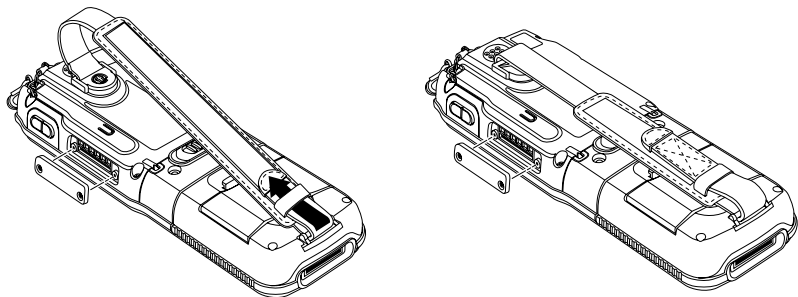
To attach the handstrap

Using a Phillips or flat-blade screwdriver, attach the handstrap fastener to the back of the CN30. Tighten the latch fastener by turning it a quarter turn clockwise.



Note: You will need to remove the hand strap for battery access or to remove the keyboard module.

Hand Strap Instructions



Slide the handstrap under the latch to lock.
Pull on the strap to adjust the handstrap to fit snugly against the back of your hand.

CN30 Handstrap Instructions



P/N 931-004-001

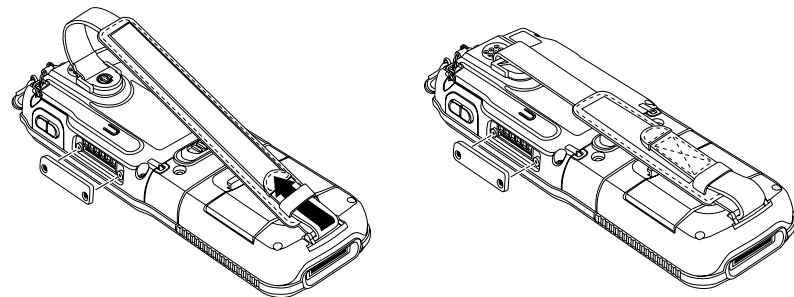
Intermec

Corporate Headquarters
6001 36th Avenue West
Everett, Washington 98203 U.S.A.
tel 425.348.2600

www.intermec.com

© 2005 Intermec Technologies Corporation. All rights reserved.

Hand Strap Instructions



Slide the handstrap under the latch to lock.
Pull on the strap to adjust the handstrap to fit snugly against the back of your hand.

CN30 Handstrap Instructions



P/N 931-004-001

Intermec

Corporate Headquarters
6001 36th Avenue West
Everett, Washington 98203 U.S.A.
tel 425.348.2600

www.intermec.com

© 2005 Intermec Technologies Corporation. All rights reserved.