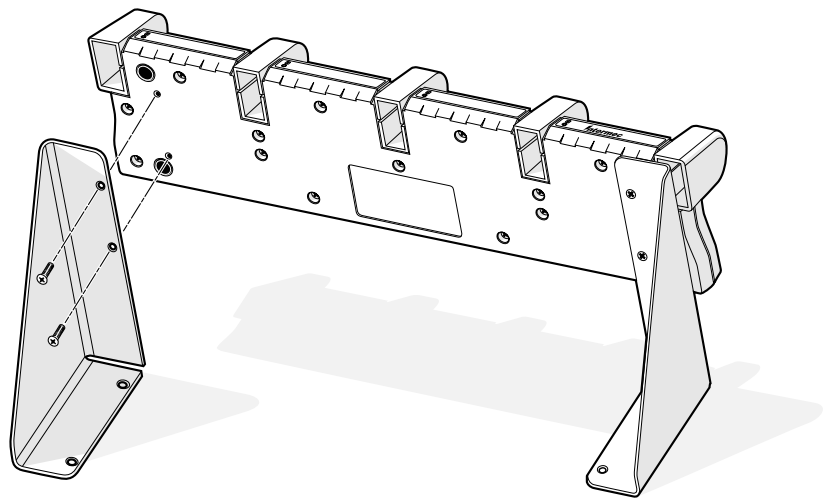


## CK60 Multidock Mounting Brackets



### Installation Instructions

### Instructions

- 1** Position the mounting brackets over the screw holes then using the screws (included) mount the brackets to the multidock. The mounting holes are 1-5/4 inches (40.01 cm) apart.
- 2** On framed walls, it is preferable to drive lag screws directly into studs whenever possible. If this is not possible, it may be necessary to install scab studs or plywood (5/8 inch thickness or greater) reinforcement.
- 3** Position mounting brackets at a suitable height and use 1/4 inch or larger hardware \*(lag screws or concrete fasteners) to secure mounting brackets to the wall. Use two fasteners in each bracket.
- 4** When installing several multidocks across a wall, be sure to allow clearance between them for the power cables.

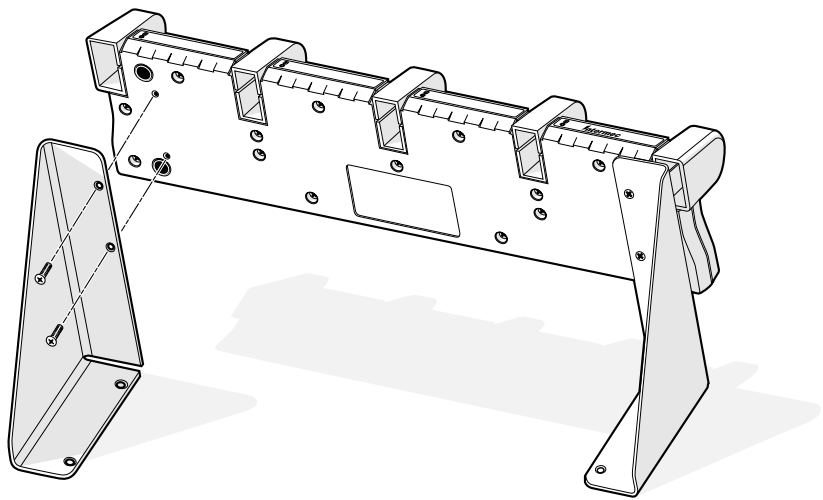
**Intermec**  
 Corporate Headquarters  
 6001 36th Avenue West  
 Everett, Washington 98203 U.S.A.  
 tel 425.348.2600  
 www.intermec.com  
 © 2005 Intermec Technologies Corporation. All rights reserved.



CK60 Multidock Mounting Brackets Installation Instructions

P/N 931-001-001

## CK60 Multidock Mounting Brackets



### Installation Instructions

### Instructions

- 1** Position the mounting brackets over the screw holes then using the screws (included) mount the brackets to the multidock. The mounting holes are 1-5/4 inches (40.01 cm) apart.
- 2** On framed walls, it is preferable to drive lag screws directly into studs whenever possible. If this is not possible, it may be necessary to install scab studs or plywood (5/8 inch thickness or greater) reinforcement.
- 3** Position mounting brackets at a suitable height and use 1/4 inch or larger hardware \*(lag screws or concrete fasteners) to secure mounting brackets to the wall. Use two fasteners in each bracket.
- 4** When installing several multidocks across a wall, be sure to allow clearance between them for the power cables.

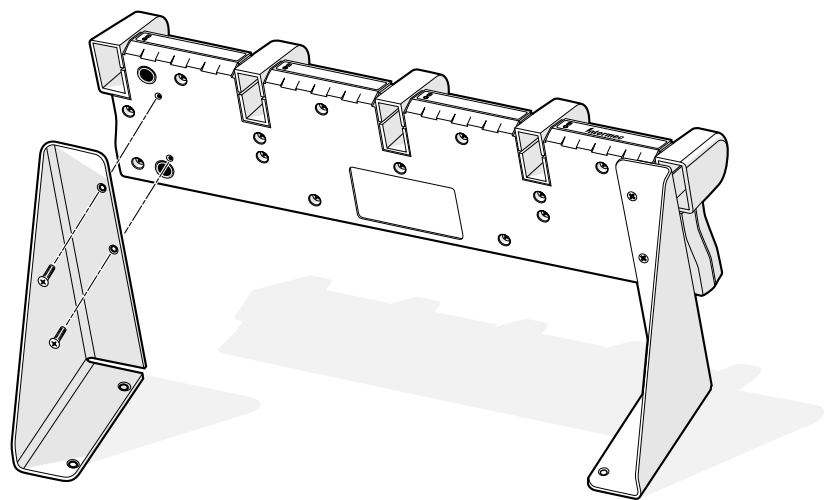
**Intermec**  
 Corporate Headquarters  
 6001 36th Avenue West  
 Everett, Washington 98203 U.S.A.  
 tel 425.348.2600  
 www.intermec.com  
 © 2005 Intermec Technologies Corporation. All rights reserved.



CK60 Multidock Mounting Brackets Installation Instructions

P/N 931-001-001

## CK60 Multidock Mounting Brackets



### Installation Instructions

### Instructions

- 1** Position the mounting brackets over the screw holes then using the screws (included) mount the brackets to the multidock. The mounting holes are 1-5/4 inches (40.01 cm) apart.
- 2** On framed walls, it is preferable to drive lag screws directly into studs whenever possible. If this is not possible, it may be necessary to install scab studs or plywood (5/8 inch thickness or greater) reinforcement.
- 3** Position mounting brackets at a suitable height and use 1/4 inch or larger hardware \*(lag screws or concrete fasteners) to secure mounting brackets to the wall. Use two fasteners in each bracket.
- 4** When installing several multidocks across a wall, be sure to allow clearance between them for the power cables.

**Intermec**  
 Corporate Headquarters  
 6001 36th Avenue West  
 Everett, Washington 98203 U.S.A.  
 tel 425.348.2600  
 www.intermec.com  
 © 2005 Intermec Technologies Corporation. All rights reserved.



CK60 Multidock Mounting Brackets Installation Instructions

P/N 931-001-001