

PM4i

Power Supply Unit Installation Instructions

Use these installation instructions to replace the power supply unit (PSU) on the PM4i printer. The PSU kit ships with these items:

- Power supply unit (P/N 1-971131-003)
- This installation instruction sheet

To install the power supply unit, you need:

- T20 Torx screwdriver



Warning

This installation procedure must only be performed by an authorized Intermec service technician. Intermec assumes no responsibility for personal injury or damage to the equipment if the installation is performed by an unauthorized person.



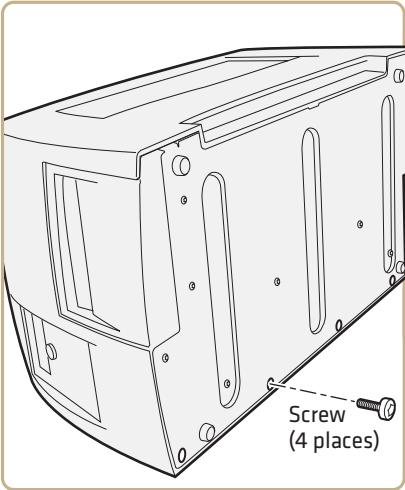
Follow ESD
Procedures

The electrical components in the printer are susceptible to damage from electrostatic discharge (ESD). You must follow standard ESD guidelines to avoid damaging the equipment you are servicing.

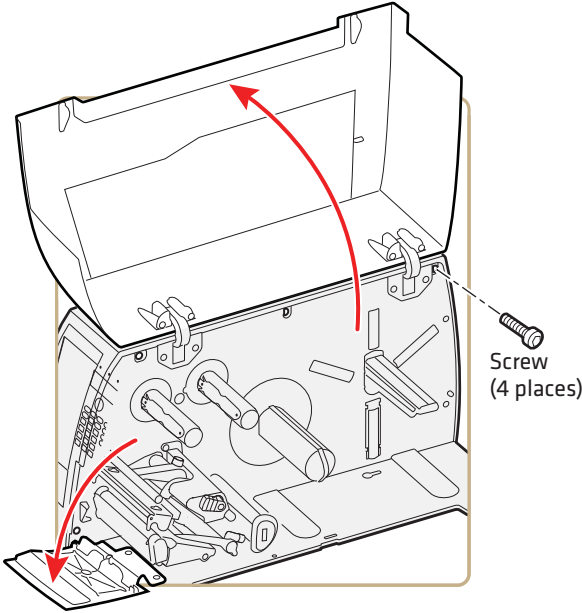
To install the power supply unit

- 1 Turn off the printer power and remove the power cord.
- 2 Lay the printer on its left cover (the electronics and front cover).

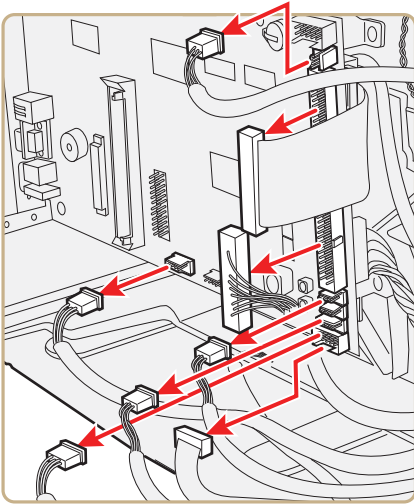
- 3** Remove the four T20 Torx screws from the bottom of the printer and then set the printer back upright.



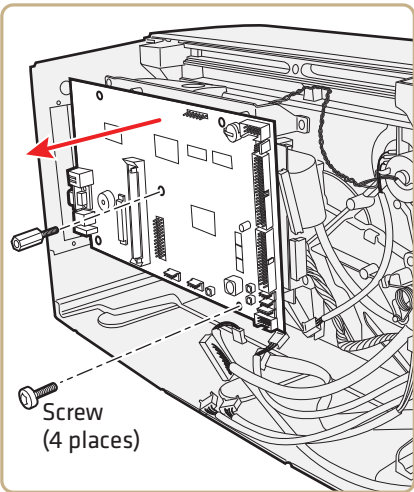
- 4** Open the media cover and remove the four T20 Torx screws that attach the electronics and front cover to the printer.



- 5 Lift the electronics and front cover door away from the printer and carefully disconnect the console cable from the CPU board.
- 6 Disconnect all of the cables from the CPU board.



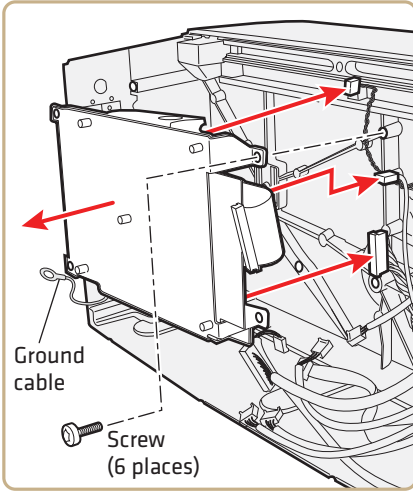
- 7 Remove the four T20 Torx screws and the standoff that attach the CPU board to the power supply unit and lift it away from the printer.



- 8 Remove the six T20 Torx screws that attach the power supply unit to the printer, disconnect the cables from it, and lift it away from the printer.



Note: When you remove the screws that attach the power supply unit to the printer, the rear panel of the printer will detach.



- 9 To replace the power supply unit, reverse Steps 1 through 8. You need to reuse the ground (GND) cable (P/N 236-068-003) and the cooling plate (P/N 1-206170-00).



Note: Make sure that you attach the GND cable through the lower left screw when you replace the power supply unit.

PM4i Power Supply Unit Installation Instructions



P/N 931-067-001

Intermec

Worldwide Headquarters
6001 36th Avenue West
Everett, Washington 98203
U.S.A.

tel 425.348.2600

fax 425.355.9551

www.intermec.com

© 2009 Intermec Technologies Corporation. All rights reserved.

