

Media Core Installation Instructions



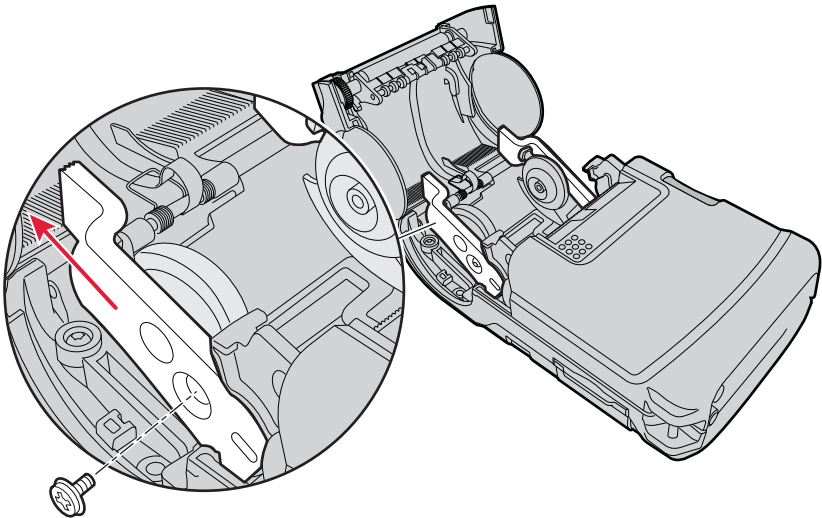
The PB22 and PB32 printers support the use of media that have a core with an inside diameter of 19.05 mm (0.75 inch) and 10.16 mm (0.4 inch). Printers are shipped with a 19.05 mm media core installed. If you are using media with an inside diameter of 10.16 mm, you will need change to this new media core.

You will find the following items in the shipping box:

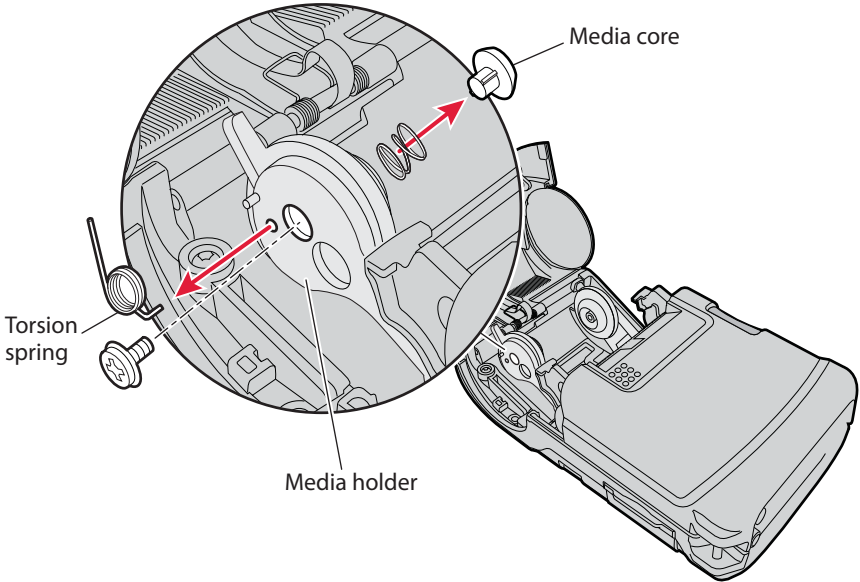
- Two 10.16 mm (0.4 inch) media cores
- These installation instructions

To install the optional media core

- 1 Remove the self-tapping screw using a Torx T10 driver.
- 2 Remove the manual lock.



- 3 Remove the torsion spring sitting on the media holder and unscrew the media core.



- 4 Remove the 19.05 mm (0.75 inch) media core and replace it with the 10.16 mm (0.4 inch) media core.



Note: During assembly, press the media core against the media holder to prevent the media core from turning when you tighten the screw.

- 5 Reverse Steps 1 through 3 to reassemble the printer with the new media core.

Media Core Installation Instructions



P/N 931-063-001

Intermec

Worldwide Headquarters
6001 36th Avenue West
Everett, Washington 98203
U.S.A.

tel 425.348.2600

fax 425.355.9551

www.intermec.com

© 2009 Intermec Technologies Corporation. All rights reserved.