

CompactFlash Adapter Installation Instructions

The *PF8t CompactFlash Adapter Installation Instructions* describes how to install a CompactFlash (CF) adapter in your PF8t printer. If the built-in PF8t memory is insufficient for storing label formats, graphics or fonts, you can use a CF card to provide additional memory. Your shipping contents include these items:

- One CF adapter
- These instructions



Follow ESD
Procedures

The discharge of electrostatic energy accumulated on the human body, clothing, or other surfaces can damage or destroy the printhead or electronic components used in these printers. Avoid touching the electrical connectors installing the stripper module.

Die Entladung von elektrostatischer Energie, die im menschlichen Körper, in Kleidungsstücken oder auf anderen Oberflächen gespeichert ist, kann den Druckkopf oder elektronische Komponenten dieser Drucker beschädigen oder zerstören. Beim Einbauen des Abstreifermoduls die Steckverbinder nicht berühren.

Installing the CF Adapter



Warning

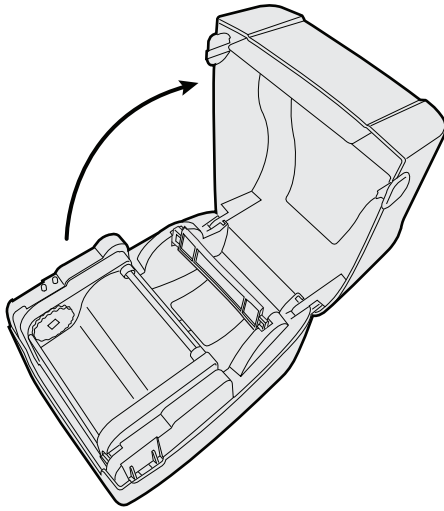
The electronics compartment contains high voltage components. Always disconnect the power cord before opening the electronics compartment.



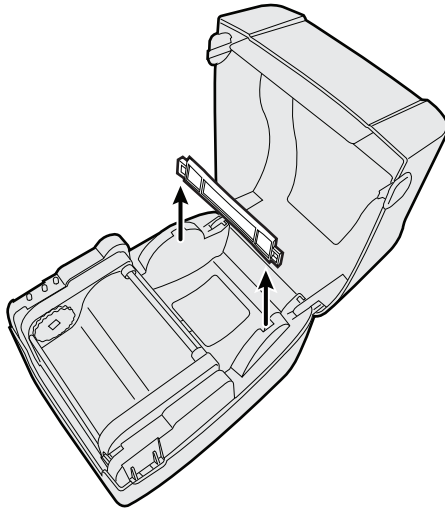
Warnung

Im Elektronikfach gibt es Komponenten, die hohe Spannungen führen. Immer das Netzkabel abziehen, bevor das Elektronikfach geöffnet wird.

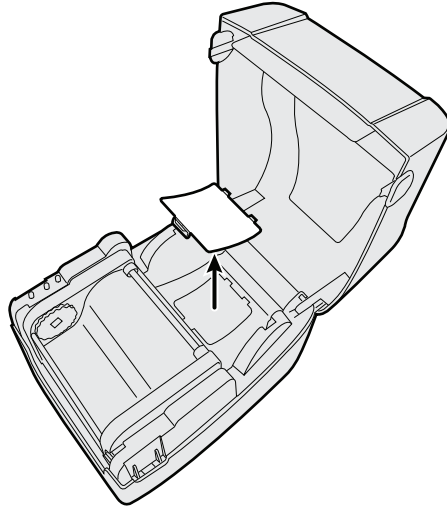
-
- 1 Disconnect the power cord and place the printer on a flat surface.
 - 2 Press the cover open buttons on both sides of the case to open the top cover. Fold the cover upwards/rearwards.



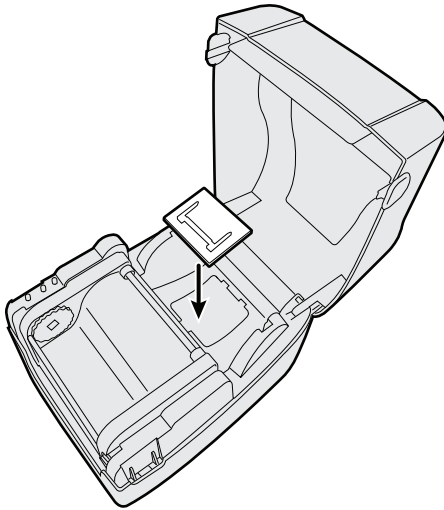
- 3 Remove any media and the media spindle.



-
- 4 Open and remove the CF slot cover from the inside of the printer to access the main board.



- 5 Make sure the pins and sockets are aligned before you plug the CF adapter into the main board.



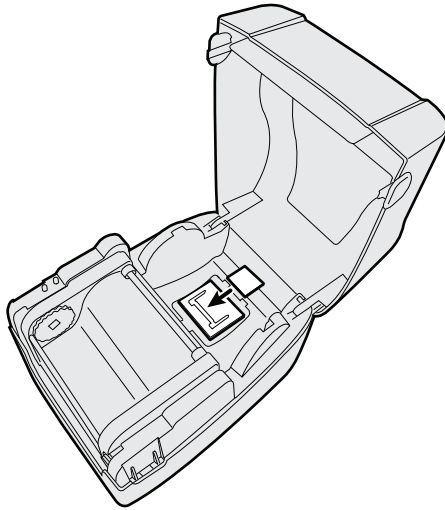
Caution

The pins of the compactflash adapter and sockets of the main board must be aligned or the pins may be damaged when you try to insert the adapter.

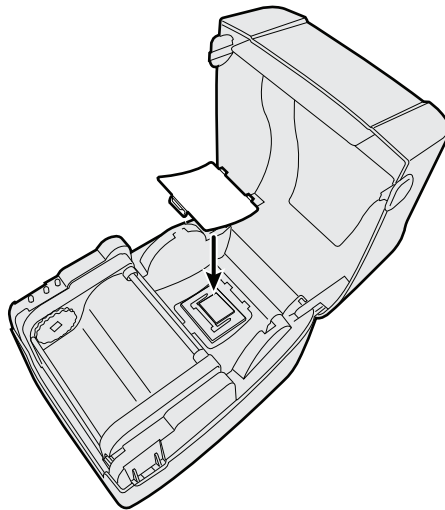


Die Stifte und Buchsen des Kompakt-Flash-Adapters und der Hauptkarte müssen ausgerichtet sein, damit die Stifte nicht beschädigt werden, wenn der Adapter eingesetzt wird.

- 6 Insert the CF card into the CF adapter.



- 7 Replace the CF slot cover.



Formatting a CF Card

You must format a CF card for FAT16 (File Allocation Table) file storage format before use. The PF8t supports CF cards with a memory capacity of 128 MB to 1 GB.

To format a CF card

- 1 Turn the printer off and insert a CF card into the card slot.
- 2 Turn on the printer. The status LED turns red if the printer detects an unformatted CF card.
- 3 To format the CF card, press the **FEED** button. When formatting is complete, the status LED turns green. It takes approximately 5 seconds to format the CF card.



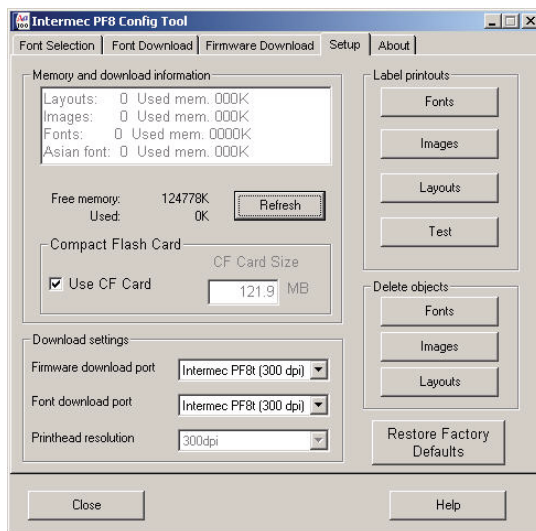
Note: If you choose not to format the CF card, turn the printer off and remove the CF card.

- 4 During formatting, a file folder named “Intermec” is created automatically. Use this folder to store your data.

To enable writing to the CF card

There are two ways to write data to the CF card:

- 1 Check the **Use CF Card** check box in the ESim Config Tool to specify that you want to use the CF card for downloading fonts and storing data.



You can download using a COM (serial), USB, or LPT (parallel) connection. Differences in using these methods are described below:

- Downloading using a serial or USB connection
If no CF card is detected, the Compact Flash check box does not appear. If a CF card is detected, check the **Use CF Card** checkbox to enable the printer to use the additional memory. The printer automatically detects the size of the CF card.
 - Downloading using a LPT connection
If a CF card is available, check the **Use CF Card** checkbox and then fill in the **CF Card Size** field. You need to specify the size of the card because the printer cannot automatically detect it.
- 2** You can also use a terminal program such as Windows HyperTerminal to send an ESim **M1** command to instruct the PF8t to use CF card memory. You can then use the standard ESim font download or image download to write to the CF card. Use the ESim **M0** command to instruct the PF8t to use only the onboard printer memory.



The ESim Config Tool is provided on the PrinterCompanion CD that ships with your PF8t printer. You can use the ESim Config Tool to:

- Download and convert TrueType fonts to bitmap fonts for use on your printer
- Update printer firmware
- Manage printer memory
- Print configuration and test labels





Worldwide Headquarters
6001 36th Avenue West
Everett, Washington 98203
U.S.A.

tel 425.348.2600

fax 425.355.9551

www.intermec.com

© 2007 Intermec Technologies
Corporation. All rights reserved.

PF8t CompactFlash Adapter Installation Instructions



P/N 931-048-002