

## About the AR4

The AR4 is an accessory for the 751G Mobile Computer that can read magstripe cards and standard or contactless Smart Cards, and take images of fingerprints.

The AR4 is powered by the 751G. To use the AR4, you need a Windows CE .NET or Windows Mobile 5.0 application. For more information, see “Downloading Firmware and Programming Information.”

For Ethernet and USB connectivity to the computer when the AR4 is installed, use the AN3 Communications Adapter. For more information, contact your Intermec sales representative.

## About the Optional Power Supplies

Use the optional external power supply (P/N 851-065-006 or 851-065-106) to operate and charge the computer without removing the AR4.

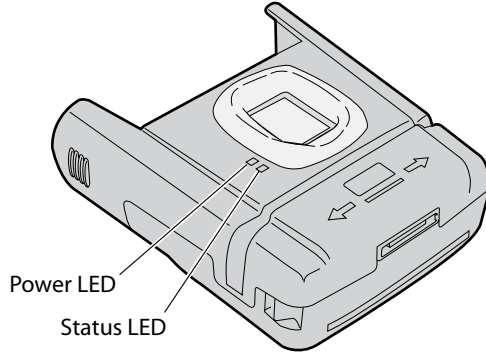
To use the AR4 and AN3 together, use power supply P/N 851-065-005 or 851-065-105 to operate and charge the computer without removing either accessory.

To use power supply P/N 851-065-005 or 851-065-105 with the AR4 alone, you also need a power adapter (P/N 805-632-xxx).

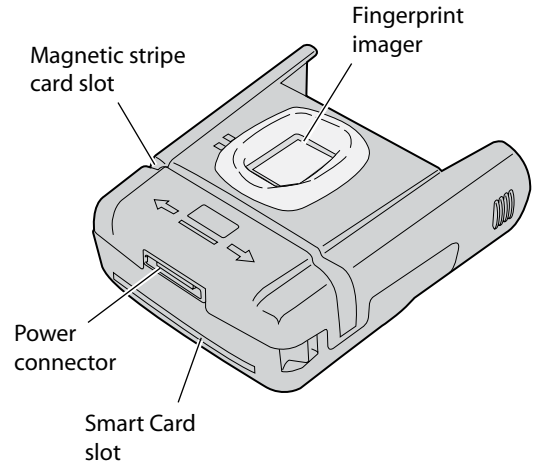
## About the LEDs

The Power LED turns steady green when the AR4 is powered by the computer or an external power supply.

The Status LED is user-programmable. See “Downloading Firmware and Programming Information” for more information.



## About the Ports



**Note:** The fingerprint imager and card readers are disabled when the AN3 Communications Adapter is installed.

## Downloading Firmware and Programming

### Information

Your Windows CE .NET or Windows Mobile 5.0 application (installed on the 751 G) communicates with the AR4 for data transfer, event notifications, status reports, and configuration. To develop an application for the AR4, you need to download firmware drivers and programming information as described next.

**To download firmware drivers and programming information**

- 1 Go to [www.intermec.com](http://www.intermec.com) and choose **Support > Downloads**.
- 2 Choose your computer from the Select a Product dropdown list. The Downloads page appears.
- 3 Choose the AR4 drivers and programming information, and follow the prompts to download the files.

**Note:** To prevent problems, read the instructions for configuring the computer in the installation document before you install the drivers on the computer.



## Where to Find More Information

[www.intermec.com](http://www.intermec.com)

In the U.S.A. and Canada, call 1.800.755.5505.

Electrical rating:  $\leq 3.3V$ ,  $< 0.5A$ . For power supply, use only Intermec Model 851-065-001 (P/N 851-065-005 or Model AE14 (P/N 851-065-106), Model AE23 (P/N 851-065-105), or Model AE14 (P/N 851-065-106)

**Caution:** See Compliance Insert for use restrictions associated with this product.

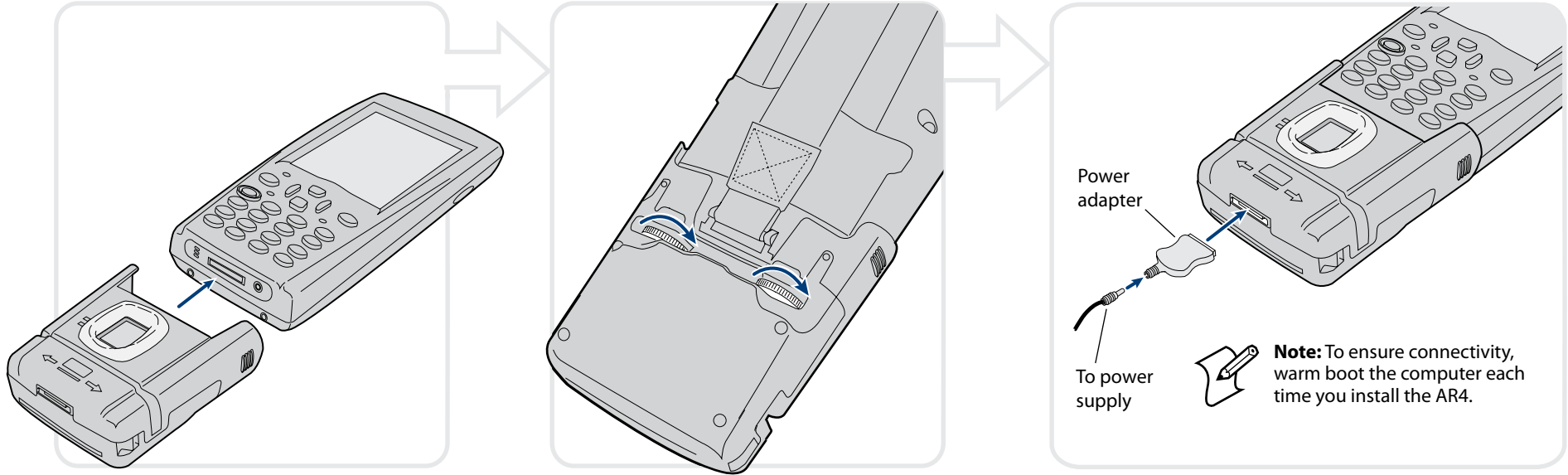


**Intermec**  
 Worldwide Headquarters  
 6001 36th Avenue West  
 Everett, Washington 98203  
 U.S.A.  
 tel 425.348.2600  
 fax 425.355.9551  
[www.intermec.com](http://www.intermec.com)  
 © 2008 Intermec Technologies Corporation. All rights reserved.



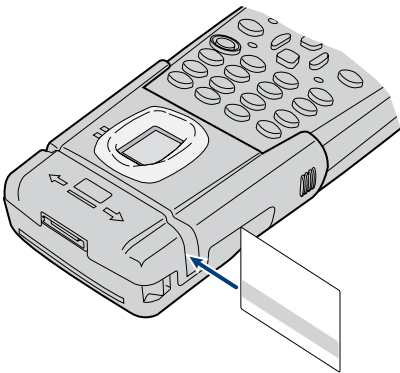
AR4 PIV Installation Instructions  
 P/N 931-046-002

## Installing the AR4

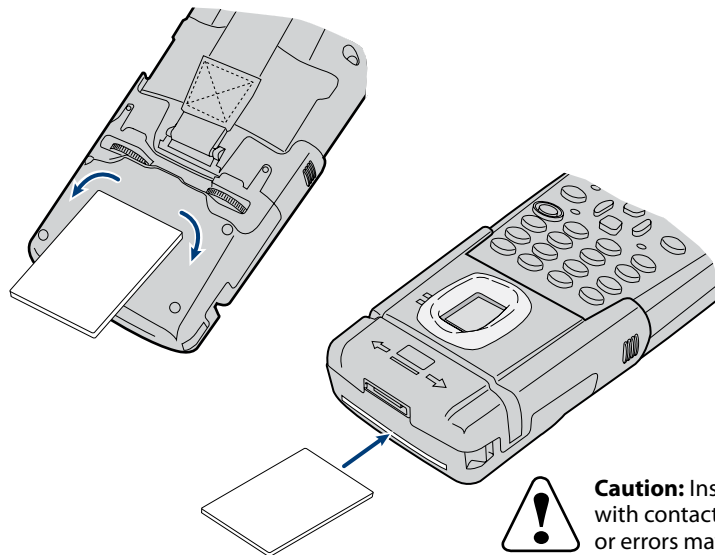


## Using the AR4

Reading Magstripe Cards



Reading Contactless and Standard Smart Cards



Reading Fingerprints

