

Cutter Installation Instructions

This *PF8 Cutter Installation Instructions* describes how to install a cutter module in your PF8 printer. Your shipping contents include these items:

- One cutter module
- Two screws
- Two mounting brackets (one for the PF8d and another for the PF8t)
- These instructions



Warning

This kit must only be installed by an authorized service technician. Intermec assumes no responsibility for personal injury or damage if the installation is performed by an unauthorized person.



Warnung

Dieser Satz darf nur von einem autorisierten Wartungstechniker installiert werden. Intermec übernimmt keine Verantwortung für Verletzungen oder Sachschäden, falls die Installation von nicht autorisiertem Personal durchgeführt wird.



Follow ESD
Procedures

The discharge of electrostatic energy accumulated on the human body, clothing, or other surfaces can damage or destroy the printhead or electronic components used in these printers. Avoid touching the electrical connectors when installing the cutter module.

Die Entladung von elektrostatischer Energie, die im menschlichen Körper, in Kleidungsstücken oder auf anderen Oberflächen gespeichert ist, kann den Druckkopf oder elektronische Komponenten dieser Drucker beschädigen oder zerstören. Vermeiden Sie, die Steckverbinder nicht berühren.

Installing the Cutter on the PF8d



Warning

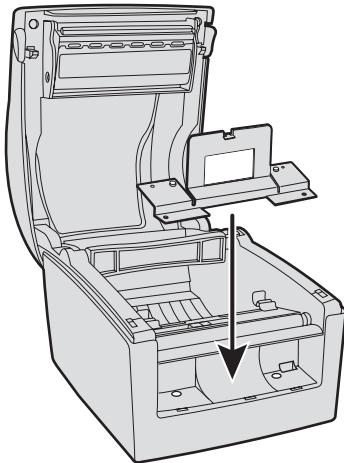
The electronics compartment contains high voltage components. Always disconnect the power cord before opening the electronics compartment.



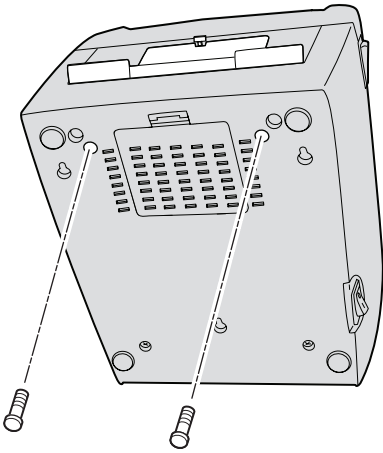
Warnung

Im Elektronikfach gibt es Komponenten, die hohe Spannungen führen. Immer das Netzkabel abziehen, bevor das Elektronikfach geöffnet wird.

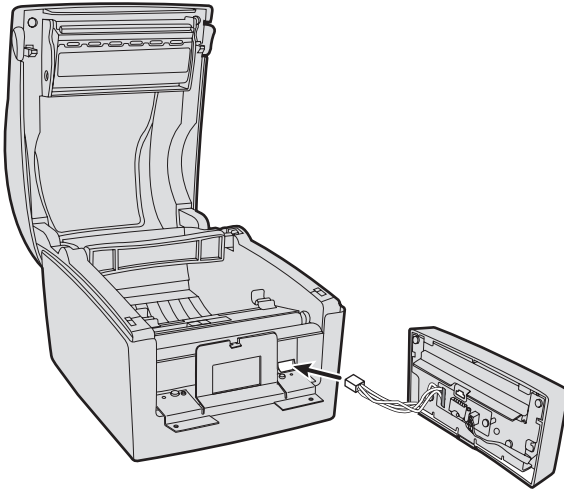
- 1 Disconnect power and place the printer on a flat surface.
- 2 Open the top cover by pressing the cover open buttons on either side of the top cover.
- 3 Remove the front cover piece.
- 4 Place the mounting bracket in the front cover space.



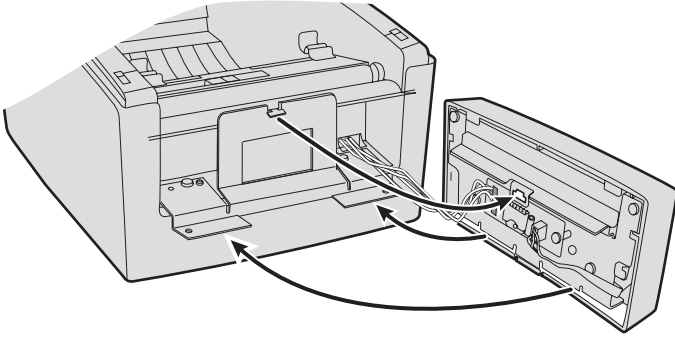
- 5** Holding the mounting bracket in the slot, tip the printer up and tighten the screws to attach the mounting bracket to the printer.



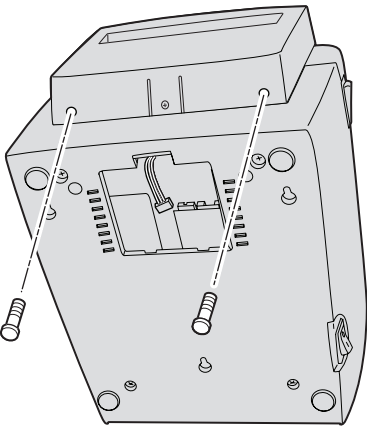
- 6** Push the cutter electrical connector through the cable access hole.



7 Put the cutter on the mounting bracket.



8 Turn the printer over and tighten the screws to hold the cutter in place.

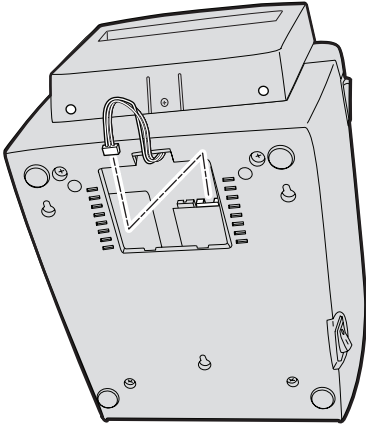


9 Open the bottom case cover to access the main board of the printer.



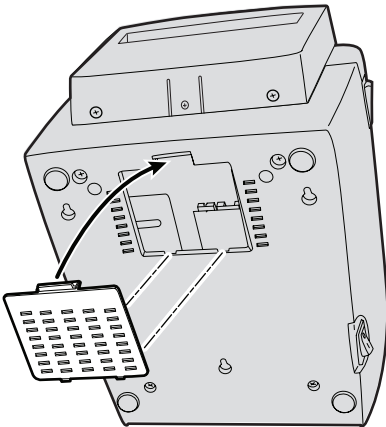
Note: You can use a coin or a screwdriver to open the bottom case cover.

- 10 Plug the electrical connector into the main board.



Note: There are two sockets on the main board, one is for the stripper and the other is for the cutter. Check the pin configuration of the socket before plugging in the connector.

- 11 Close the bottom case cover. Your printer is now able to print on media for cut-off operation. Refer to the *PF8d/PF8t User's Guide* (P/N 934-011-xxx) for instructions on loading media for cut-off operation.



Installing the Cutter on the PF8t

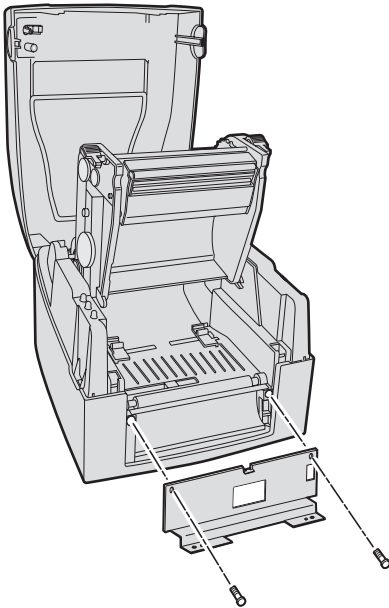


The electronics compartment contains high voltage components. Always disconnect the power cord before opening the electronics compartment.

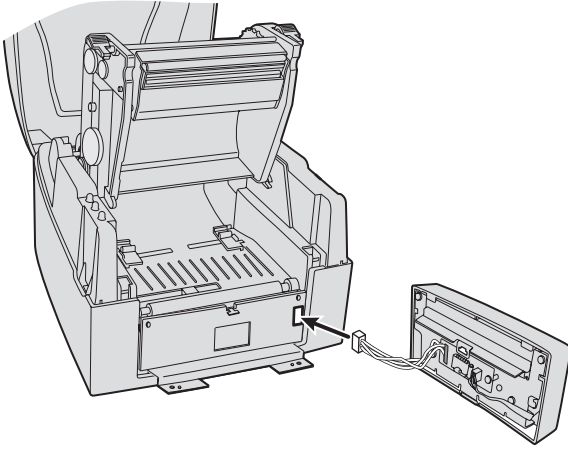


Im Elektronikfach gibt es Komponenten, die hohe Spannungen führen. Immer das Netzkabel abziehen, bevor das Elektronikfach geöffnet wird.

- 1 Disconnect power and place the printer on a flat surface.
- 2 Open the top cover by pressing the cover open buttons on either side of the top cover.
- 3 Press the green locking buttons and open the ribbon rewind mechanism.
- 4 Push in the cover piece locks. Lift and remove the front cover piece.
- 5 Attach the mounting bracket to the printer.

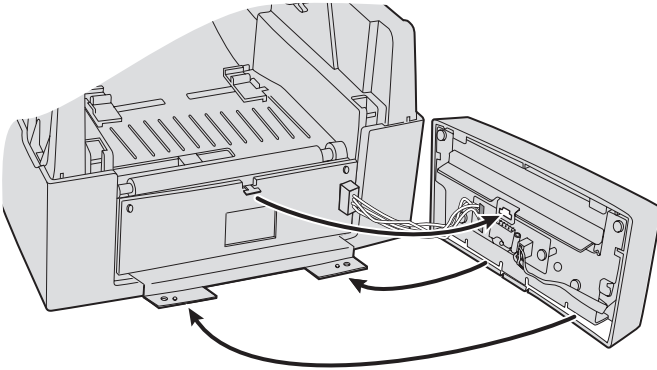


6 Plug the cutter connector into the cutter socket.

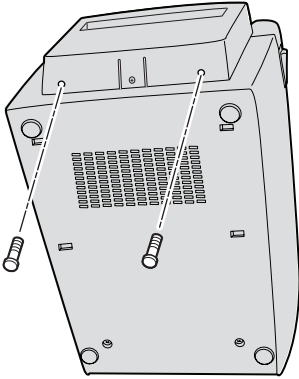


Note: There are two sockets on the board, one is for the stripper and the other is for the cutter. Check the pin configuration of the socket before plugging in the connector.

7 Put the cutter in the front cover space. First, insert the left side of the cutter module and then the right side.



8 Hold the cutter module in place and tighten the screws.



9 Your printer is now able to print on media for cut-off operation. Refer to the *PF8d/PF8t User's Guide* for instructions on loading media for cut-off operation.



Worldwide Headquarters

6001 36th Avenue West
Everett, Washington 98203
U.S.A.

tel 425.348.2600

fax 425.355.9551

www.intermec.com

© 2007 Intermec Technologies
Corporation. All rights reserved.

PF8 Cutter Installation Instructions



P/N 931-044-001