

Stripper Module Installation Instructions

The *PF8 Stripper Module Installation Instructions* describes how to install a stripper module in your PF8 printer. Your shipping contents include these items:

- One stripper module
- Two Phillips screws
- These instructions



Warning

This kit must only be installed by an authorized service technician. Intermec assumes no responsibility for personal injury or damage if the installation is performed by an unauthorized person.



Warnung

Dieser Satz darf nur von einem autorisierten Wartungstechniker installiert werden. Intermec übernimmt keine Verantwortung für Verletzungen oder Sachschäden, falls die Installation von nicht autorisiertem Personal durchgeführt wird.



Follow ESD
Procedures

The discharge of electrostatic energy accumulated on the human body, clothing, or other surfaces can damage or destroy the printhead or electronic components used in these printers. Avoid touching the electrical connectors installing the stripper module.

Die Entladung von elektrostatischer Energie, die im menschlichen Körper, in Kleidungsstücken oder auf anderen Oberflächen gespeichert ist, kann den Druckkopf oder elektronische Komponenten dieser Drucker beschädigen oder zerstören. Beim Einbauen des Abstreifermoduls die Steckverbinder nicht berühren.

Installing the Stripper on the PF8d



Warning

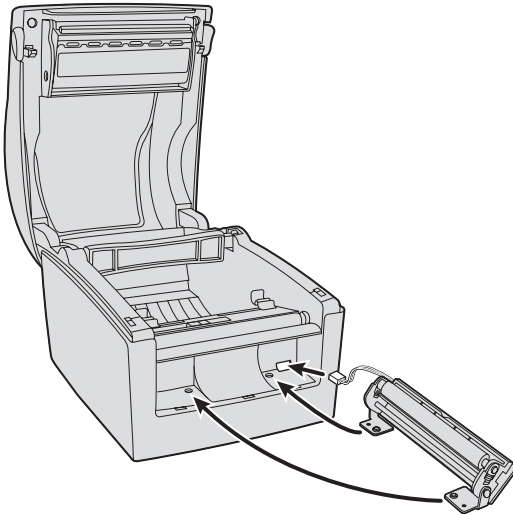
The electronics compartment contains high voltage components. Always disconnect the power cord before opening the electronics compartment.



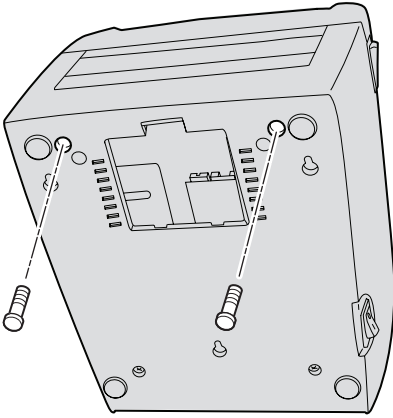
Warnung

Im Elektronikfach gibt es Komponenten, die hohe Spannungen führen. Immer das Netzkabel abziehen, bevor das Elektronikfach geöffnet wird.

- 1 Disconnect power and place the printer on a flat surface.
- 2 Open the top cover by pressing the cover open buttons on either side of the top cover.
- 3 Remove the front cover piece.
- 4 Push the stripper electrical connector through the cable access hole. Make sure the cable does not interfere with mounting the stripper module.
- 5 Put the stripper module in the front cover space making sure that the mounting brackets are aligned with the screw holes in the bottom of the front cover space.



- 6 Tip the printer up and tighten the screws to hold the stripper module in place.



- 7 Open the bottom case cover to access the electrical connector on the main board of the printer.

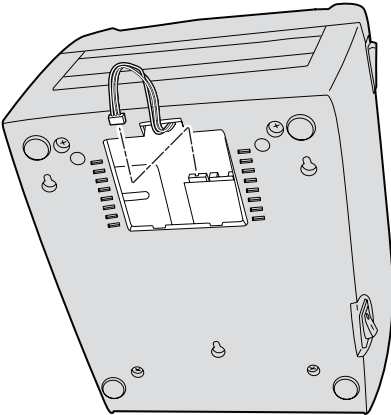


Note: You can use a coin or a screwdriver to open the bottom case cover.

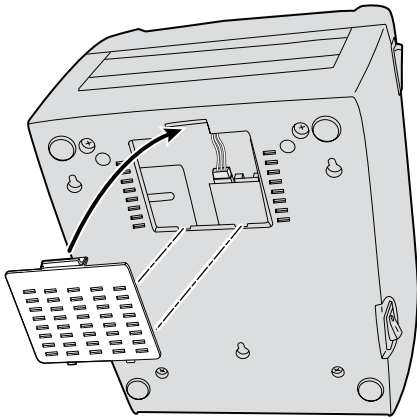
- 8 Plug the electrical connector into the main board.



Note: There are two sockets on the main board, one for the stripper and the other is for the cutter. Check the pin configuration of the socket before plugging in the connector.



- 9 Replace the bottom case cover. Your printer is now able to print on self-strip media. Refer to the *PF8d/PF8t User's Guide* (P/N 934-011-xxx) for instructions on loading self-strip media.



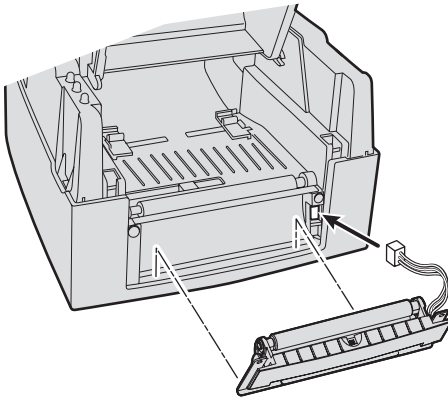
Installing the Stripper on the PF8t

- 1 Disconnect power and place the printer on a flat surface.
- 2 Open the top cover by pressing the cover open buttons on either side of the top cover.
- 3 Press the green locking buttons and open the ribbon rewind mechanism.
- 4 Push in the front cover piece locks. Lift and remove the front cover piece.
- 5 Plug the stripper electrical connector into the stripper socket.

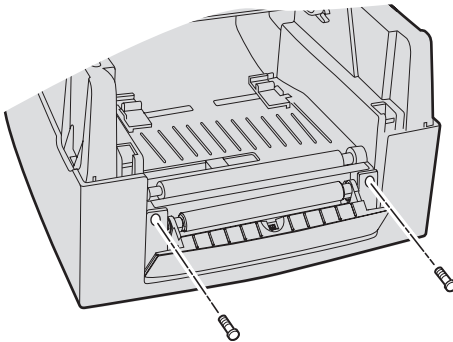


Note: There are two sockets on the board, one is for the stripper and the other is for the cutter. Check the pin configuration of the socket before plugging in the connector.

- 6 Put the stripper module in the front cover space. First, insert the left side of the stripper module and then the right side. Make sure that the mounting brackets are aligned with the screw holes.



- 7 Hold the stripper module in place, insert the screws in the mounting bracket, and tighten the screws.



- 8 Your printer is now able to print on self-strip media. Refer to the *PF8d/PF8t User's Guide* for instructions on loading self-strip media.



Worldwide Headquarters

6001 36th Avenue West
Everett, Washington 98203
U.S.A.

tel 425.348.2600

fax 425.355.9551

www.intermec.com

© 2007 Intermec Technologies
Corporation. All rights reserved.

PF8 Stripper Module Installation Instructions



P/N 931-043-001