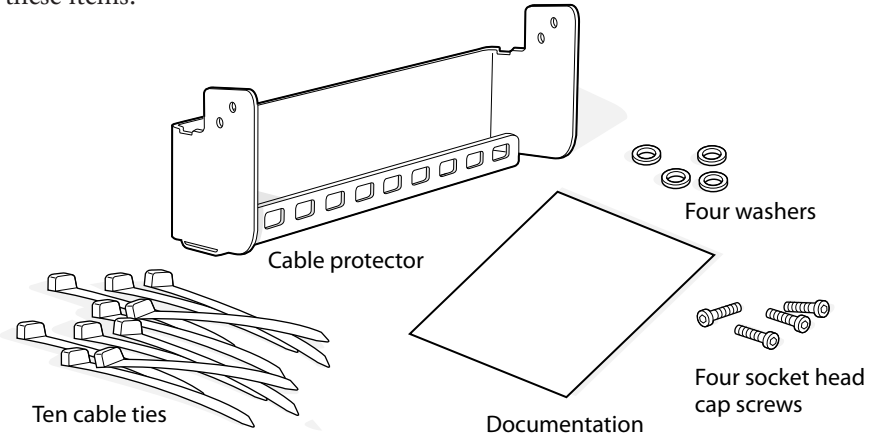


Cable Protector Instructions

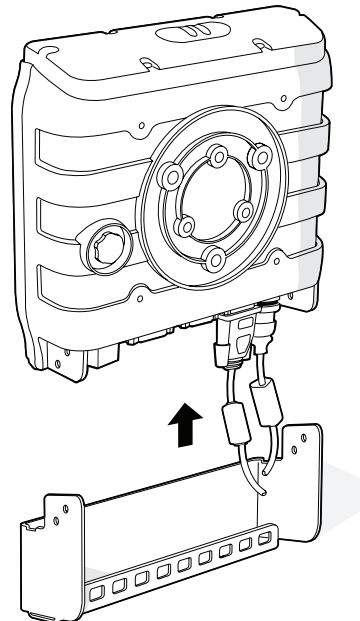
Use these instructions to install the CV30 Cable Protector on the CV30 Fixed Mount Computer. The shipping box for the cable protector contains these items:



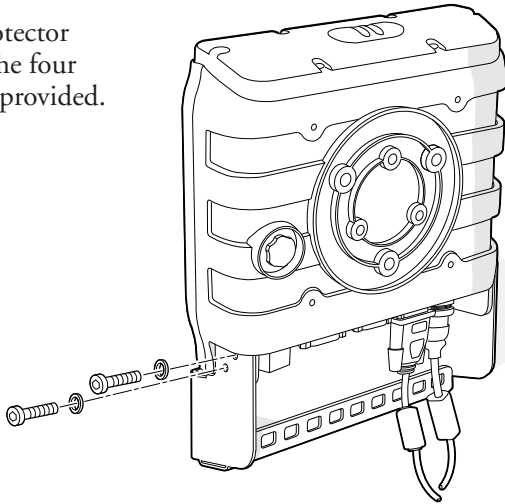
Note: Make sure you have power, keyboard, and accessory cables attached before you install the cable protector.

To install the cable protector

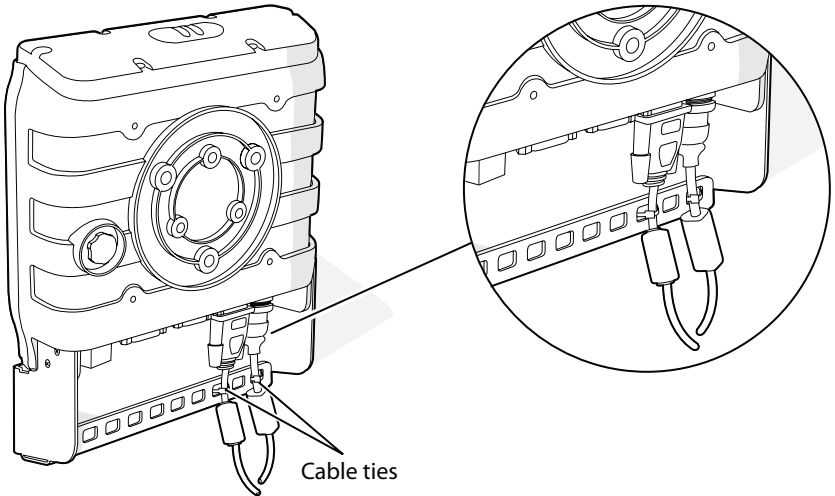
- 1 Slide the cable protector onto the CV30 until the screw holes line up.



- 2 Secure the cable protector to the CV30 with the four washers and screws provided.



- 3 Use the cable ties to secure the connector cables to the cable protector.



CV30 Cable Protector Instructions



P/N 931-036-002

Intermec

Worldwide Headquarters
6001 36th Avenue West
Everett, Washington 98203
U.S.A.

tel 425.348.2600

fax 425.355.9551

www.intermec.com

© 2006 Intermec Technologies Corporation. All rights reserved.