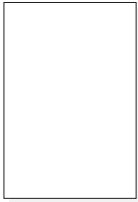


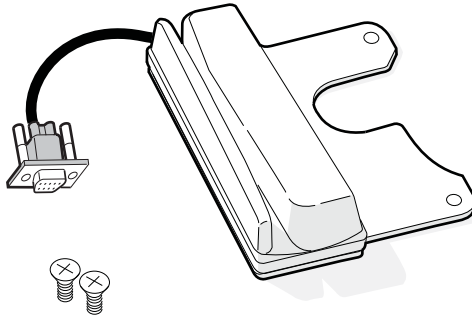
Bar Code Slot Reader Instructions

Use these instructions to install the CV30 bar code slot reader, Model AR3, for the CV30 Fixed Mount Computer. The slot reader installs securely onto the left or right side of the CV30.

The shipping box for the slot reader contains these items:



Documentation

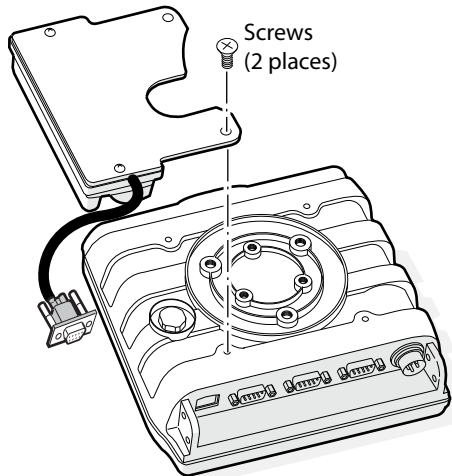


Two screws

Slot reader and bracket

To install the slot reader

- 1 Choose the side of the CV30 where you want to mount the slot reader.
- 2 Align the bracket with the mounting holes on the back of the CV30.
- 3 Use the screws provided to secure the slot reader to the CV30.
- 4 Insert the serial cable into the COM3 serial port located on the bottom of the CV30.



Enabling the Slot Reader

You use the bar code slot reader connected to the CV30 Fixed Mount Computer to scan and enter bar code data. The CV30 decodes the bar code label and enters the data or command that you scanned.

Before using the slot reader, you need to enable the slot reader by going to Intermec Settings.

To enable the slot reader

- 1 Go to **Start > Settings > the Systems tab or Control Panel.**
- 2 Tap or double-tap **Intermec Settings.**
- 3 Tap **Data Collection > Tethered Scanner (COM 3) > Scanner Settings.**
- 4 Tap **Scanner Model** and select **IDTech Slot Scanner** from the drop-down menu.
- 5 Check the **Enable Scanner Port** check box.
- 6 Tap **File > Save Settings** to enable the slot reader.

When you enable the port on the slot reader, the saved settings on the CV30 are sent to your slot reader and you may scan and enter bar code data. When the bar code is successfully scanned, the green LED status light turns on. If the bar code was unsuccessfully scanned, the red LED status light turns on.

Configuring the Slot Reader

The slot reader has six symbologies enabled: Code 39, Code 128, UPC A, UPC E, EAN 8, and EAN 13. If you are using bar code labels that are encoded in another symbology, you need to enable that symbology on the CV30. To configure the slot reader for other symbologies, use Intermec Settings on the CV30.

To configure the slot reader

- 1 Go to **Start > Settings > the Systems tab or Control Panel.**
- 2 Double-tap **Intermec Settings.**
- 3 Tap **Data Collection > Tethered Scanner (COM 3) > Symbologies.**
- 4 Select the symbologies you want to enable or disable.
- 5 Tap **File > Save Settings** to save the changes that you have made.

Physical Specifications

Product:	CV30 Bar Code Slot Reader (Model AR3)
Length:	127 mm (5 in)
Width:	52 mm (2.05 in)
Height:	35 mm (1.38 in)
Weight:	635 g (22.4 oz)
Cable Length:	355 mm (14 in)
Centerline:	12.55 mm (.49 in) from the bottom of the slot to the center of the reading window.

Power Specifications

Ratings:	5.0 V +/- 10% (100 mA)
----------	------------------------

Temperature and Humidity Specifications

Operating Temperature:	0°C to 55°C (-32°F to 131°F)
Storage Temperature:	-35°C to 70°C (-31°F to 158°F)
Relative Humidity:	Maximum 95% non-condensing



Worldwide Headquarters
6001 36th Avenue West
Everett, Washington 98203
U.S.A.

tel 425.348.2600

fax 425.355.9551

www.intermec.com

© 2008 Intermec Technologies
Corporation. All rights reserved.

CV30 Bar Code Slot Reader Instructions



P/N 931-030-003