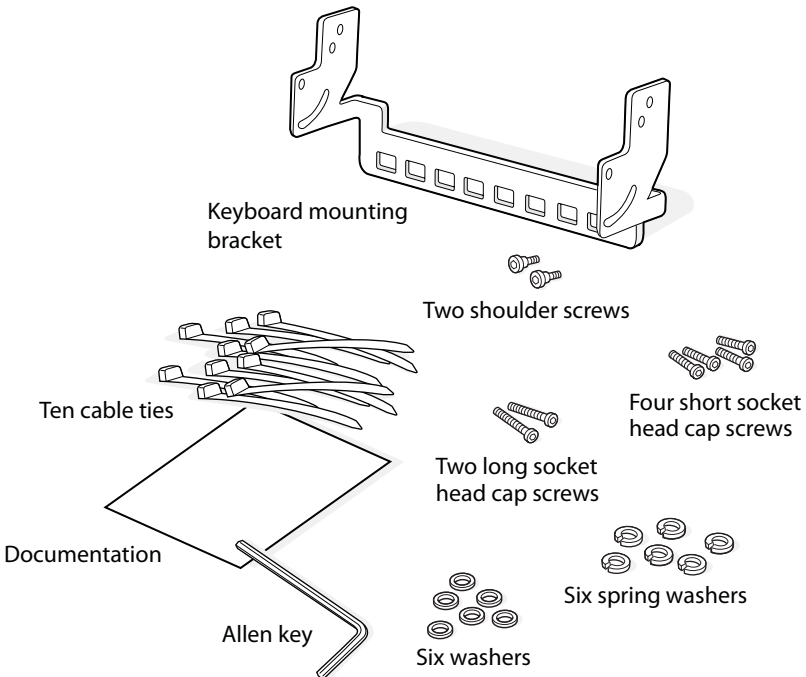


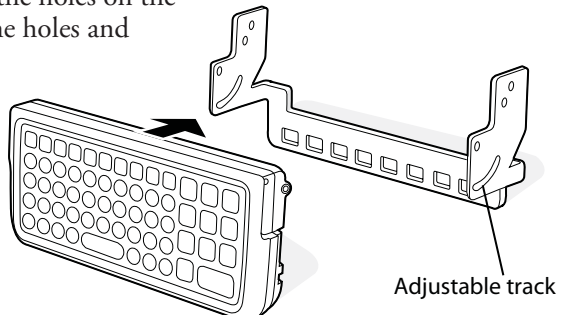
Keyboard Mounting Kit Instructions

Use these instructions to attach the CV30 Compact Keyboard or a large external keyboard to the CV30 Fixed Mount Computer. The shipping box for the keyboard mounting kit contains these items:

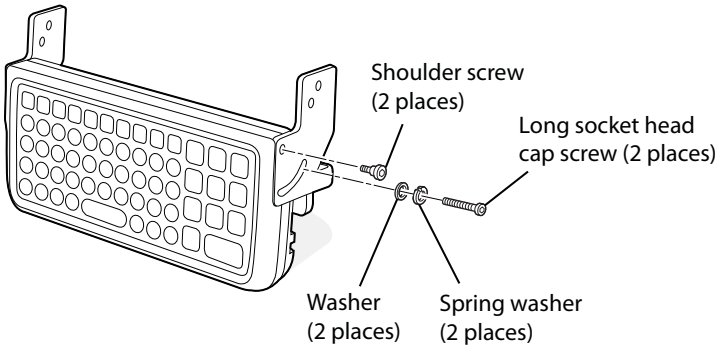


To attach the compact keyboard to the CV30

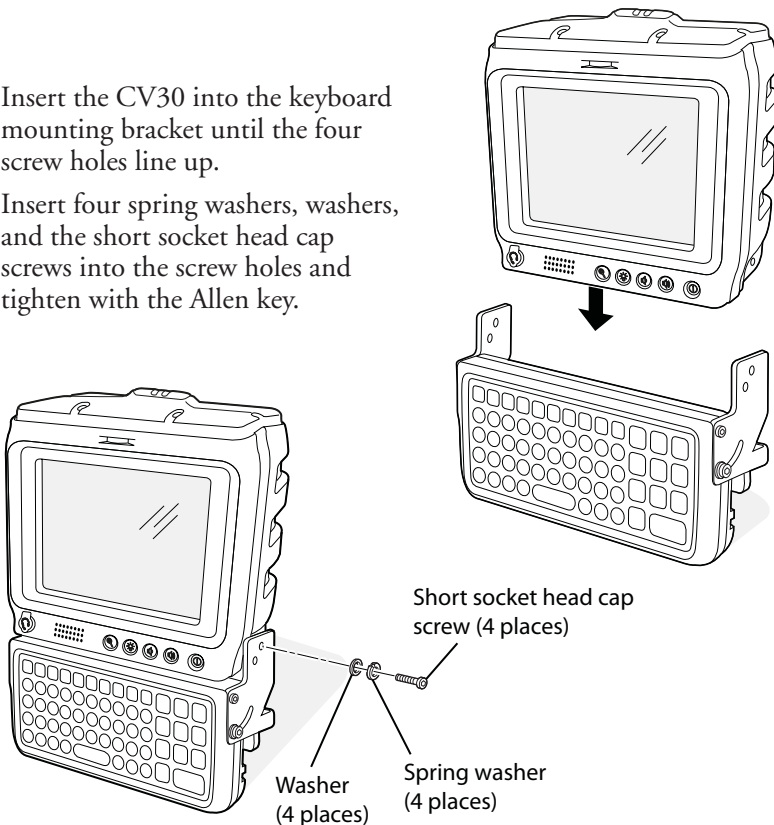
- 1 Insert the compact keyboard into the keyboard mounting bracket until the holes on the keyboard line up with the holes and adjustable tracks on the mounting bracket.



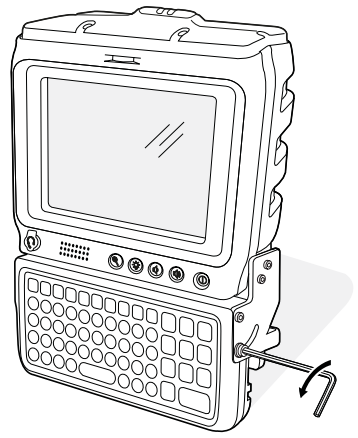
- 2 Insert the two shoulder screws into the screw holes that attach the bracket to the CV30 and tighten with the Allen key.
- 3 Insert two spring washers, washers, and long socket head cap screws into the tracks on the bracket and tighten with the Allen key.



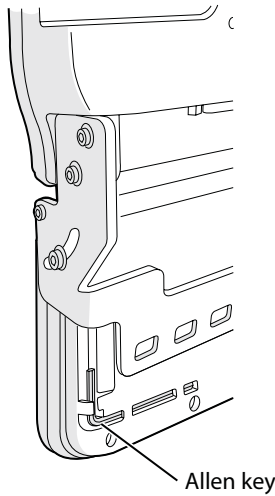
- 4 Insert the CV30 into the keyboard mounting bracket until the four screw holes line up.
- 5 Insert four spring washers, washers, and the short socket head cap screws into the screw holes and tighten with the Allen key.



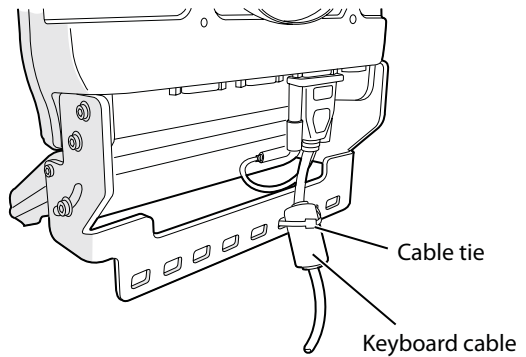
- Using the Allen key, loosen the socket head cap screws and shoulder screws and move the keyboard until it is at the correct angle.
- Tighten the cap screws and the shoulder screws.



- Insert the Allen key into its holder on the back of the keyboard and snap it in place.

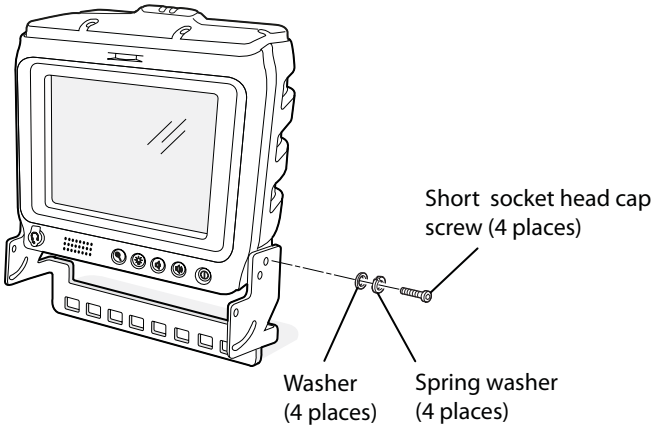


- Attach the keyboard cable to the USB port on the CV30 and secure the cable to the mounting bracket with the cable tie.

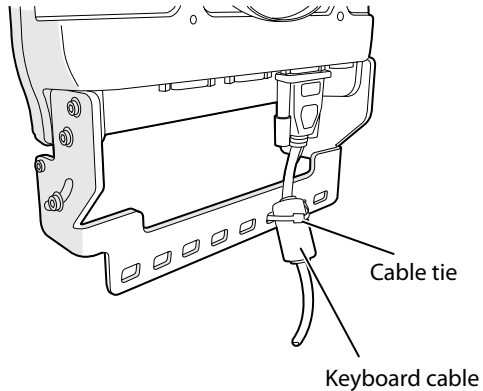


To attach a large external keyboard to the CV30

- 1 Insert the CV30 into the keyboard mounting bracket until the four screw holes line up.
- 2 Insert four spring washers, washers, and the short socket head cap screws into the screw holes and tighten with the Allen key.



- 3 Attach the keyboard cable to the USB port on the CV30 and secure the cable to the mounting bracket with the cable tie.
- 4 Save the Allen key for future use and discard any unused hardware.



Intermec

Worldwide Headquarters
6001 36th Avenue West
Everett, Washington 98203
U.S.A.

tel 425.348.2600

fax 425.355.9551

www.intermec.com

© 2007 Intermec Technologies Corporation. All rights reserved.

CV30 Keyboard Mounting Kit Instructions



P/N 931-029-003