

2455/CV30 Adapter Plate Instructions

Use the 2455/CV30 Adapter Plate to install the CV30 Fixed Mount Computer onto an existing Trakker Antares 2455 Vehicle Mount using the same screw hardware.

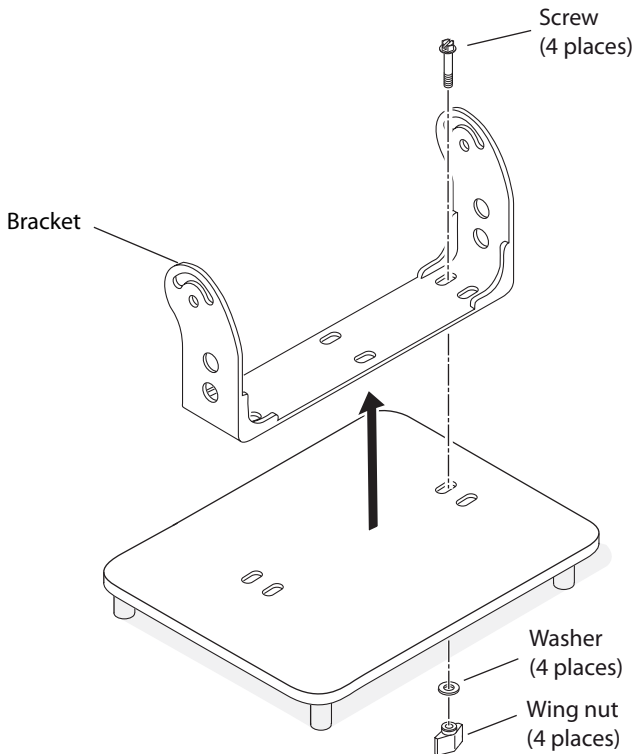
The shipping box contains the adapter plate and these instructions.

Items not provided:

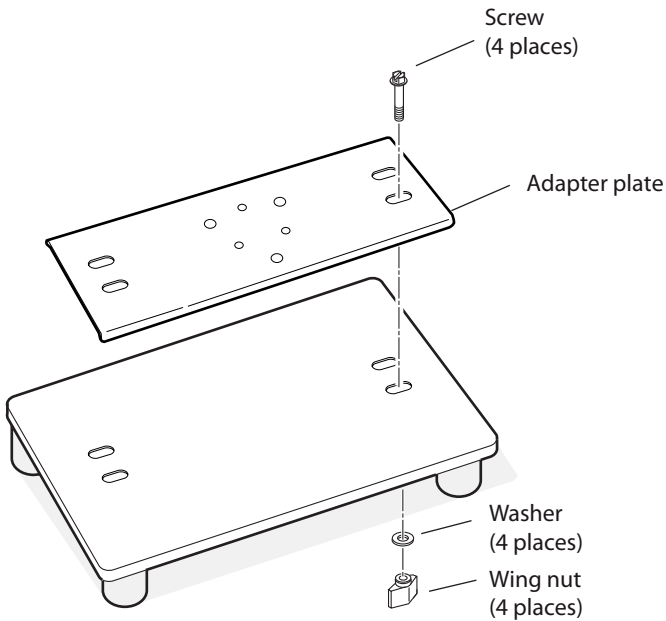
- A vehicle mounting kit to attach the CV30 to the adapter plate.
- A DC/DC power supply. Here are the options:
 - A DC/DC power supply (P/N 203-779-001).
 - A DC/DC non-heated converter (P/N 203-780-001).
 - A DC/DC heated converter (P/N 203-780-002).

To install the adapter

- 1 Remove the bracket by unscrewing the wing nuts, washers, and screws.



- 2 Align the mounting holes in the base of the adapter plate with the holes in the stand.
- 3 Insert the screws through the plate into the holes in the stand.
- 4 Place a washer and a wing nut on each screw and tighten it securely.



Worldwide Headquarters
6001 36th Avenue West
Everett, Washington 98203
U.S.A.

tel 425.348.2600

fax 425.355.9551

www.intermec.com

© 2006 Intermec Technologies
Corporation. All rights reserved.

2455/CV30 Adapter Plate Instructions



P/N 931-026-001