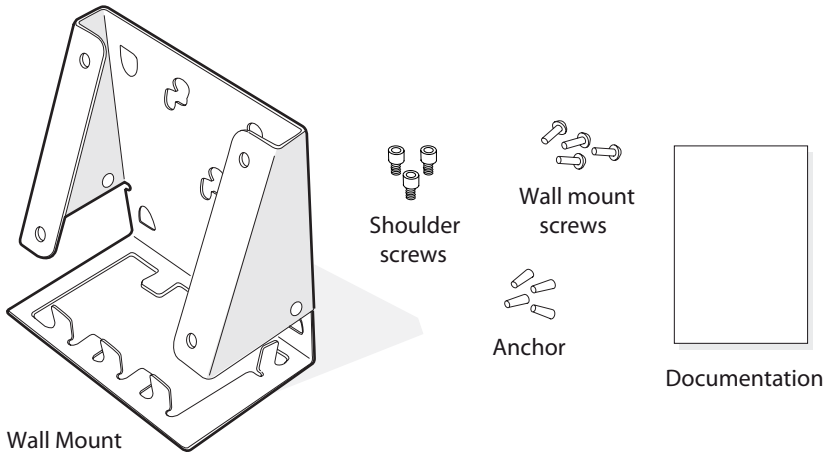


**Wall Mounting Kit Instructions**

Use these instructions to securely install your CV30 Fixed Mount Computer to the wall. The shipping box for the wall mount contains these items:

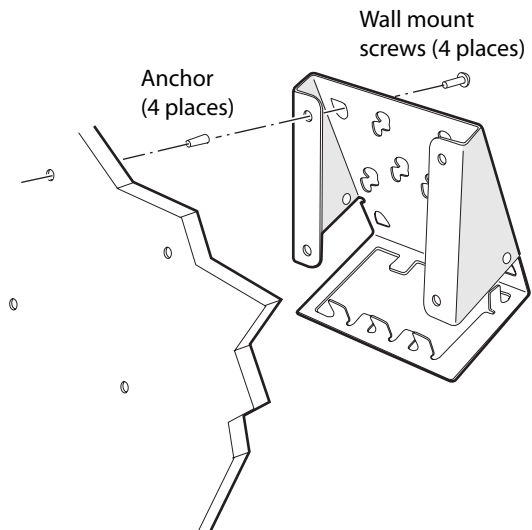


Items not provided:

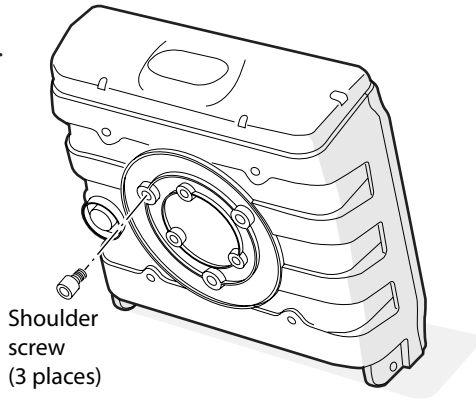
- AC power supply (P/N 851-082-004)

**To attach the wall mount**

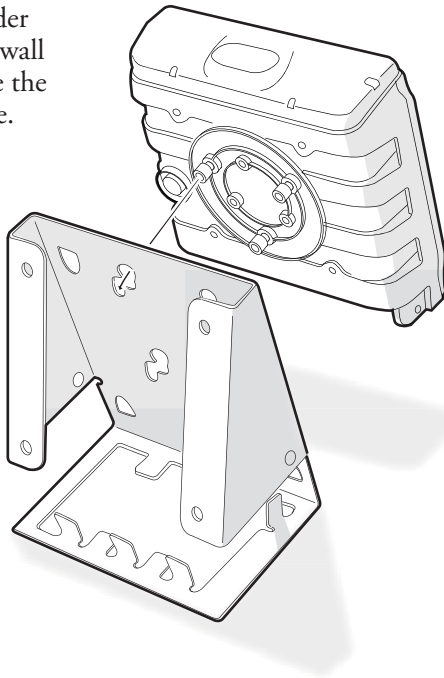
- 1 Select a surface to mount the CV30.
- 2 Place the wall mount against the surface to serve as a template and mark the hole locations.
- 3 Drill holes so that you are able to place the anchors into the surface of the wall.
- 4 Align the wall mount with the anchors.
- 5 Using the screws provided, secure the wall mount to the wall.



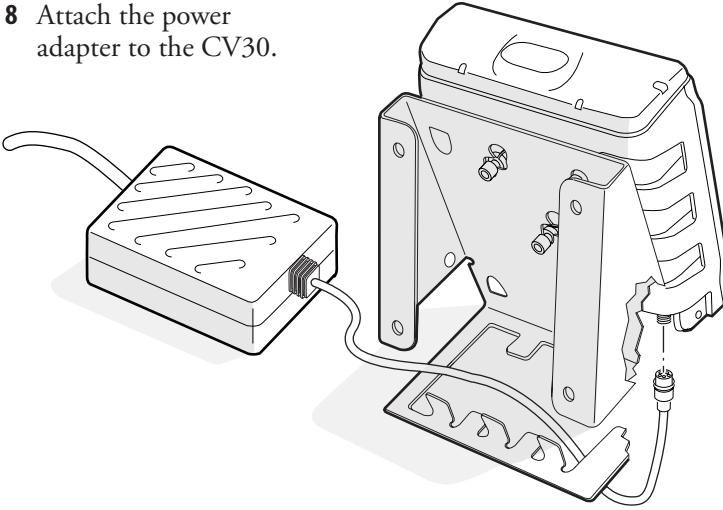
- 
- 6** Attach the shoulder screws to the CV30.



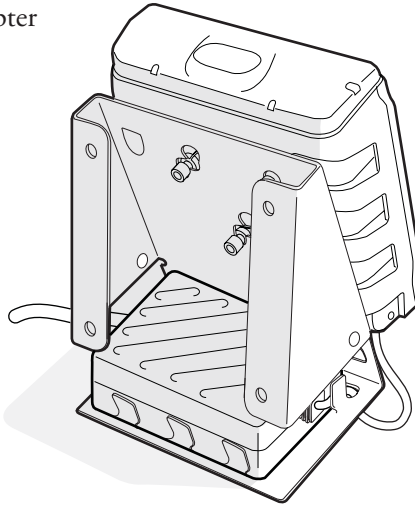
- 7** Align the shoulder screws with the wall mount and slide the CV30 into place.



- 
- 8** Attach the power adapter to the CV30.



- 9** Slide the power adapter into place.





**Worldwide Headquarters**  
6001 36th Avenue West  
Everett, Washington 98203  
U.S.A.

**tel** 425.348.2600

**fax** 425.355.9551

[www.intermec.com](http://www.intermec.com)

© 2006 Intermec Technologies  
Corporation. All rights reserved.

CV30 Wall Mounting Kit Instructions



P/N 931-024-001