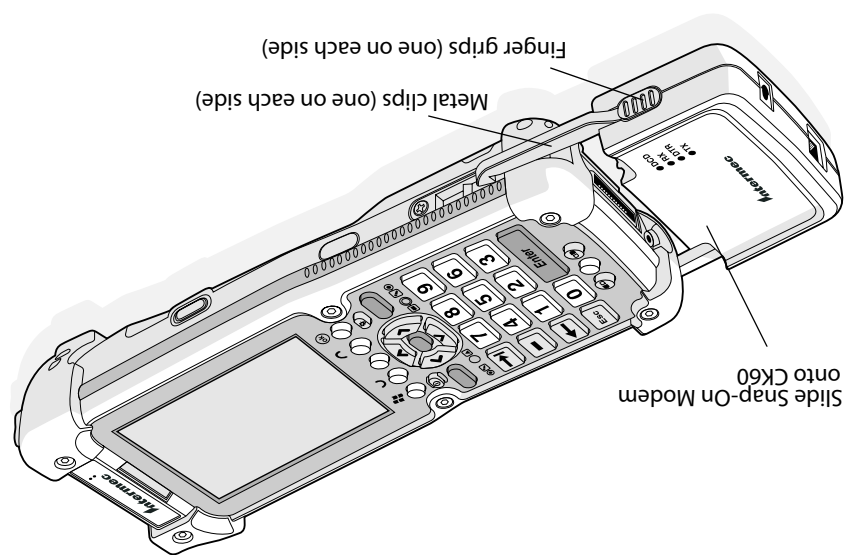


CK60 Snap-On Modem Features



Specifications

Environmental

Operating Temperature:: -20°C to +50°C (-4°F to +122°F)
 Storage temperature: -30°C to 70°C (-22°F to +158°F)
 Relative Humidity: 5% to 95%

Radiated and Conducted Digital Emissions

FCC Part 15 Class B
 Industry Canada ICES-003 Class B
 EN 55022: 1998/CISPR 22 Class B
 China CCC Emissions requirement

Snap-On Modem Status LEDs

LED Name	Description
DTR	Green Data terminal ready (com port is open to modem)
DCD	Green Data carrier detect (modem has made connection)
TXD	Blinking Green Transmit data (CK60 is transmitting data to modem)
RXD	Blinking Green Receive data (CK60 is receiving data from modem)

The following table of country codes are for reference only. If you need to add a country code your application engineer does that through your CK60 Handheld Computer (Start>Settings>Network and Dial-up Connections>Make New connection).

Default Countries Supported

Country	Code	Country	Code	Country	Code
Austria	0A	Iceland	52	Portugal	8B
Belgium	OF	Ireland	57	Slovakia	FB
Cyprus	2D	Italy	59	Slovenia	FC
Czech Republic	16	Latvia	2D	Spain	A0
Denmark	31	Liechtenstein	A6	Sweden	A5
Estonia	F9	Lithuania	B8	Switzerland	A6
Finland	3C	Luxembourg	69	USA	B5
France	3D	Malta	B4	United Kingdom	B4
Germany	42	Netherlands	B5	TBR21	FD
Greece	46	Norway	82		
Hungary	51	Poland	8A		

CK60 Snap-On Modem Quick Start Guide



P/N 930-007-001

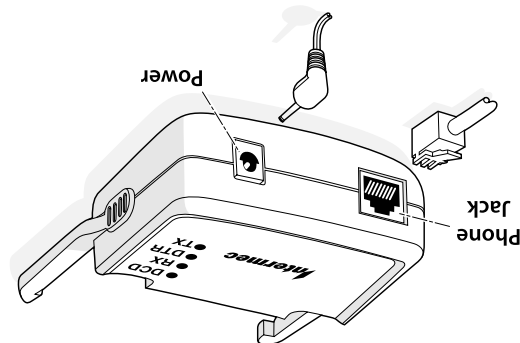
Intermec

Corporate Headquarters
 6001 36th Avenue West
 Everett, Washington 98203 U.S.A.
 tel 425.348.2600
 www.intermec.com
 © 2005 Intermec Technologies Corporation. All rights reserved.

Note that the Snap-On Modem must be removed from the CK60 in order to dock the handheld computer.

To attach the Snap-On Modem:
 Align metal clips with guides on either side of the CK60 Handheld Computer and press firmly. The Modem will latch into place. When you open up your COM port to transfer data the DTR LED illuminates.

To remove the Snap-On Modem:
 Squeeze the finger grips on both sides of the Snap-On Modem to disengage clips and pull the Snap-On Modem away from the handheld computer. Before removing your Snap-On Modem ensure that you are not doing any data transfer or data will most likely be lost during the disconnect.



• Modem connection status LEDs

Out of the Box

After you remove the Snap-On Modem from its shipping box, save the box and packing material to ship or store the modem. The Snap-On Modem shipping box should contain these items:

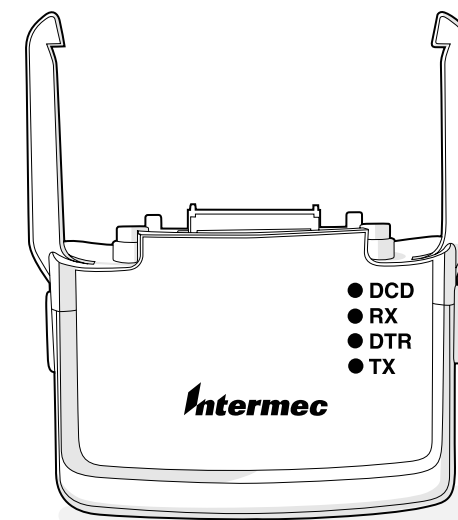
- CK60 Handheld Computer Snap-On Modem
- CK60 Snap-On Modem Quick Start Guide
- Declaration of Conformity document

The Snap-On Modem allows quick and easy attachment to the CK60 Handheld Computer. Two metal guides ensure proper alignment of the Snap-On Modem to the handheld computer; spring clips hold the Modem securely in place.

The Intermec CK60 Handheld Computer Snap-On Adapter provides an RJ11 (phone) jack (phone cable not supplied) for connection to your dial-up network phone line. A power connector on the Snap-On Modem allows connection of an external power supply (p/n: 851-065-003) to the CK60 without removing the Modem. External power supply is not required for modem operation.

Intermec

Quick Start Guide



CK60 Snap-On Modem

- AT Command Set
- 14.4 kbps to 56 kbps data speeds downstream
- Upstream data rate up to 48 kbps (V.92HM-T-W-NE)
- V.44 data compression (V.92HM-T-W-NE)
- V.42bis and MNP 5 data compression
- Fast Connect
- V.29 FastOS support
- Digital Line Guard (DLG) Protection

Modem Features