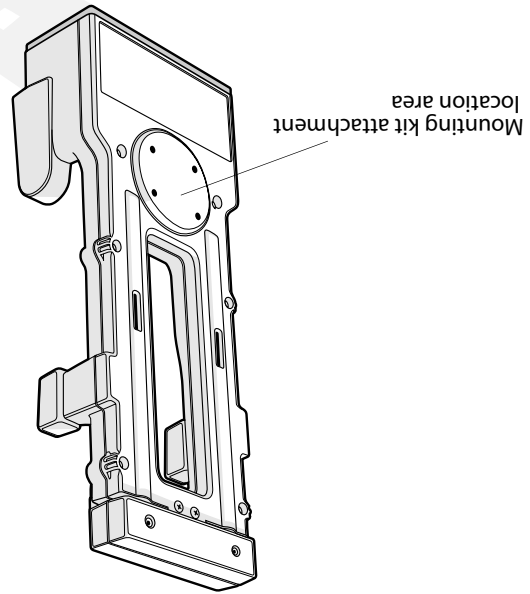


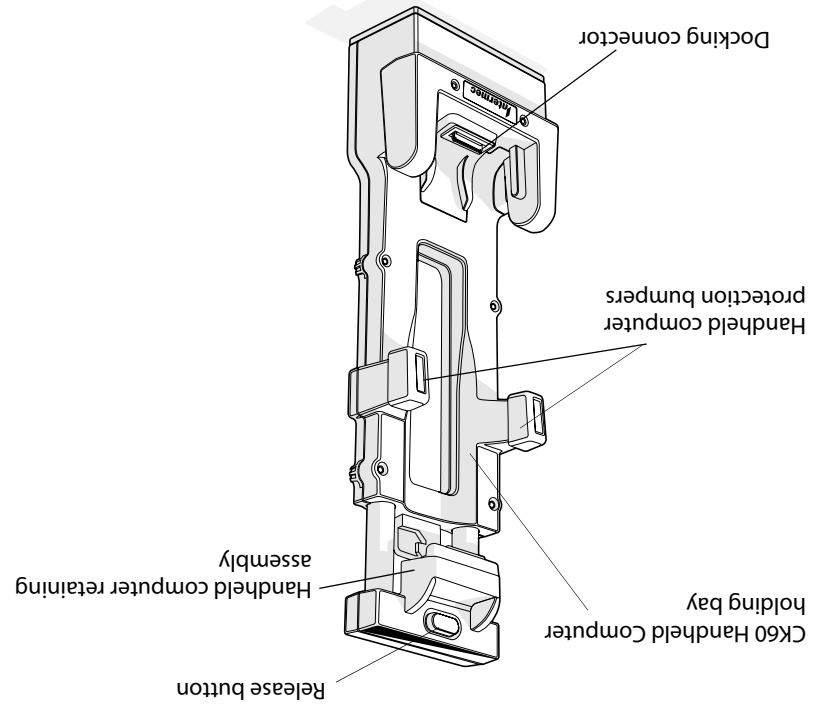
CK60 Vehicle Dock Features

CK60 Vehicle Dock Rear View



CK60 Vehicle Dock Features

CK60 Vehicle Dock Front View



Environmental Specifications

Operating Temperature: -20°C to +50°C (-4°F to +122°F)
Storage temperature: -30°C to 70°C (-22°F to +158°F)
Relative Humidity: 5% to 95%

USB Host Micro DB9F Connector Pin Outs

Pin Number	Signal Name	I/O to Computer	Description
1	USBH_D-	I/O	USB Host data negative
2	USBH_D+	I/O	USB Host data positive
3		NC	
4		NC	
5	GND	PWR	
6		NC	Ethernet receive negative
7		NC	
8		NC	
9	VBUS	PWR	PWR_OUT to power USB peripherals
Shell	C-GND	PWR	Chassis Ground

Serial RS-232 DB9M Connector Pin Outs

Pin Number	Signal Name	I/O to Computer	Description
1	DCD	I	RS-232 Data carrier detect
2	RXD	I	RS-232 Receive data
3	TXD	O	RS-232 Transmit data
4	DTR	O	RS-232 Data terminal ready
5	GND	PWR	Signal Ground
6	DSR	I	RS-232 Data set ready
7	RTS	O	RS-232 Request to send
8	CTS	I	RS-232 Clear to send
9	POWER	PWR	5 volts @ .5 Amps 2.5 Watts
Shell	C-GND	PWR	Chassis Ground

CK60 Vehicle Dock Quick Start Guide



P/N 930-006-001

Intermec

Corporate Headquarters
6001 36th Avenue West
Everett, Washington 98203 U.S.A.
tel 425.348.2600
www.intermec.com
© 2005 Intermec Technologies Corporation. All rights reserved.

Out of the Box

The Intermec CK60 Vehicle Dock:

- provides power and charges the battery pack for the CK60 Handheld Computer.
- secures CK60 Handheld Computer in dock while vehicle is in motion.
- provides an RS-232 serial connector for serial scanners, printers, and other devices.
- USB A Host connection allows connection of peripheral devices such as keyboards to the CK60 Handheld Computer.

The CK60 Vehicle Dock shipping box should contain these items:

- CK60 Vehicle Dock
- CK60 Vehicle Dock Quick Start Guide
- Product Warranty Card and Compliance Statement

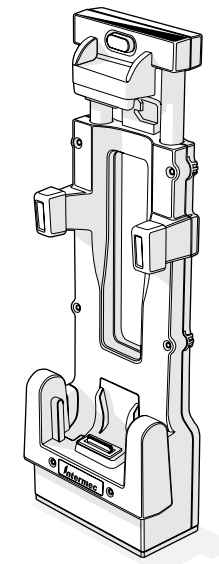
What You Need

To install and use the CK60 Vehicle Dock, you need:

- Intermec cabling kits to connect Vehicle Dock to vehicle power source. Your Intermec sales team will be able to assist you with kit requirements. The Vehicle Dock may be used with or without an external power connection. Using without a power cable, the mobile computer is not charged while docked.
- Intermec Vehicle Dock Mounting Kit (p/n: 805-638-001) allows mounting of the vehicle dock in a truck cab or forklift. This mounting kit is specifically selected for use with the Vehicle Dock and is designed to reduce the amount of vibration transferred to the mobile computer. Substitution of mounting devices or methods not approved by Intermec is not recommended.
- Data Cables, as required by your application.

Intermec

Quick Start Guide



CK60 Vehicle Dock

Installing Your CK60 Vehicle Dock

- 1 Install Vehicle Dock and Mounting Kit to your vehicle in a location that is convenient to the operator but does not interfere with vehicle operation or operator safety. See instructions included with Mounting Kit for details.
- 2 Connect power cable to the power cable connector on the bottom of the Vehicle Dock. See instructions included with the applicable Power Cable Kit for detail.
- 3 Connect data cables if applicable.
 - Five (5) volts DC is provided on the RS232 serial connector to power selected Intermec tethered scanners.
 - The USB Adapter Cable (p/n: 236-051-001) is required to connect a standard USB-A male cable to the Intermec special connector.
 - This cable is required only *if* you want to attach a USB device.

Installing Your CK60 into the CK60 Vehicle Dock

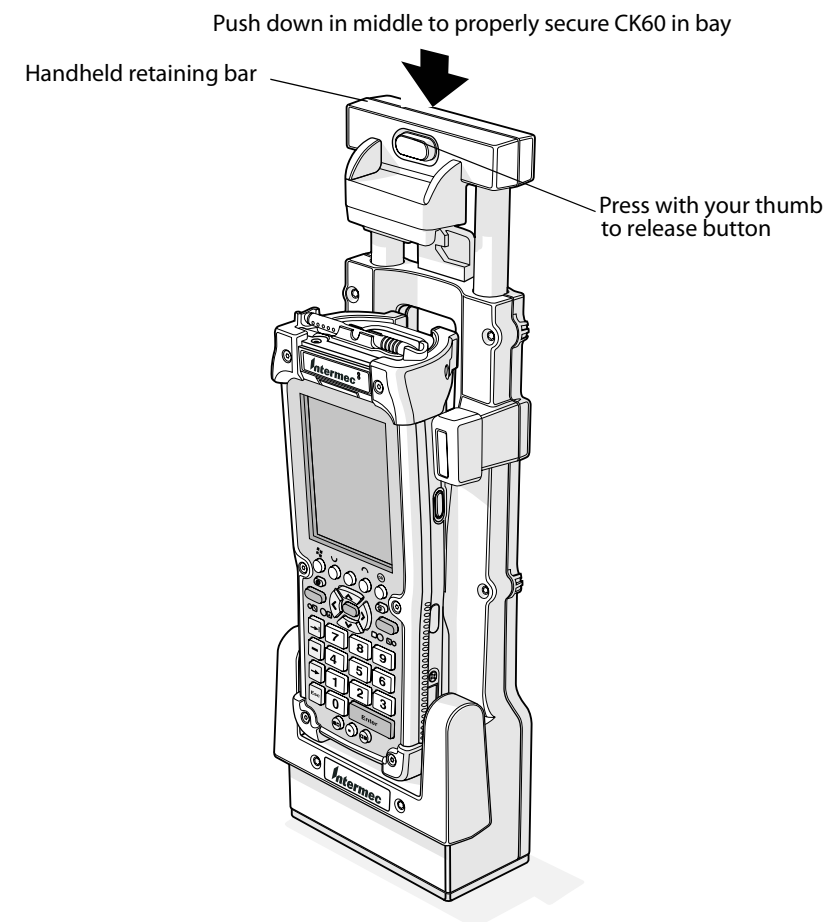
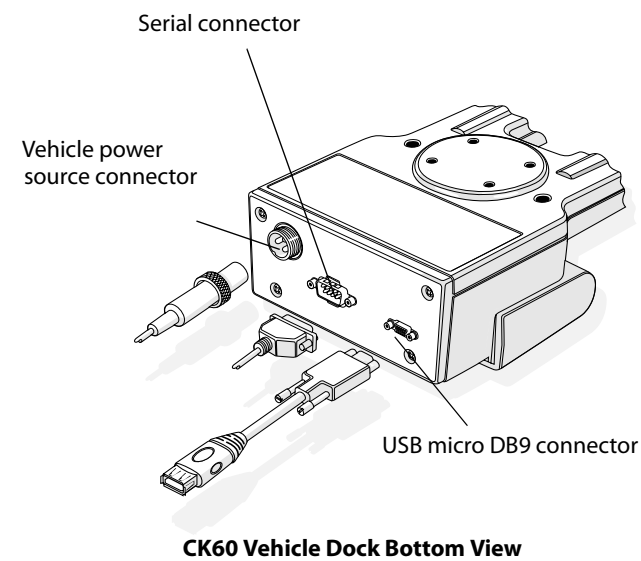
- 1 Using your thumb, press the CK60 Handheld Computer release button to lift up the retaining bar.
- 2 Line the CK60 Handheld Computer over the docking connector and push your CK60 down until it is securely seated on the connector.
- 3 Position your hand in the middle of the Retaining Bar and push down to secure the CK60 Handheld Computer. Power is provided to your CK60 Handheld Computer only when the retaining bar is secured.



Warning

Retaining bar must be depressed and engaged to properly secure your CK60 Handheld Computer before moving your vehicle. Failure to secure your CK60 Handheld Computer could result in serious injury.

Cable Connectors



Removing Your CK60 from the CK60 Vehicle Dock

- 1 Using your thumb, press the CK60 Handheld Computer release button.
- 2 Lift the CK60 Handheld Computer straight up from the connector.

