

CK31CN Handheld Computer



Intermec
 6001 36th Avenue West
 Everett, Washington 98203
 U.S.A.
 tel 425.348.2600
 fax 425.355.9551
 www.intermec.com
 © 2005 Intermec Technologies Corporation. All rights reserved.

P/N 930-096-001

 CK31CN Handheld Computer Quick Start Guide

Go to the Intermec web site at www.intermec.com to find the manuals in PDF format. If you experience any problems, please visit our product support web site at intermec.custhelp.com to search for product specific information. To order accessories and printed documentation, contact your local Intermec sales representative.

Document	Available On Web	Available in Print
CK31 Handheld Computer User's Manual	✓	✓
TE 2000 Terminal Emulation Programmer's Guide	✓	✓
Intermec Developer Library	✓	

Now that the CK31CN is working in your network, you may need additional information to use the computer in your data collection system. Refer to these documents for more information:

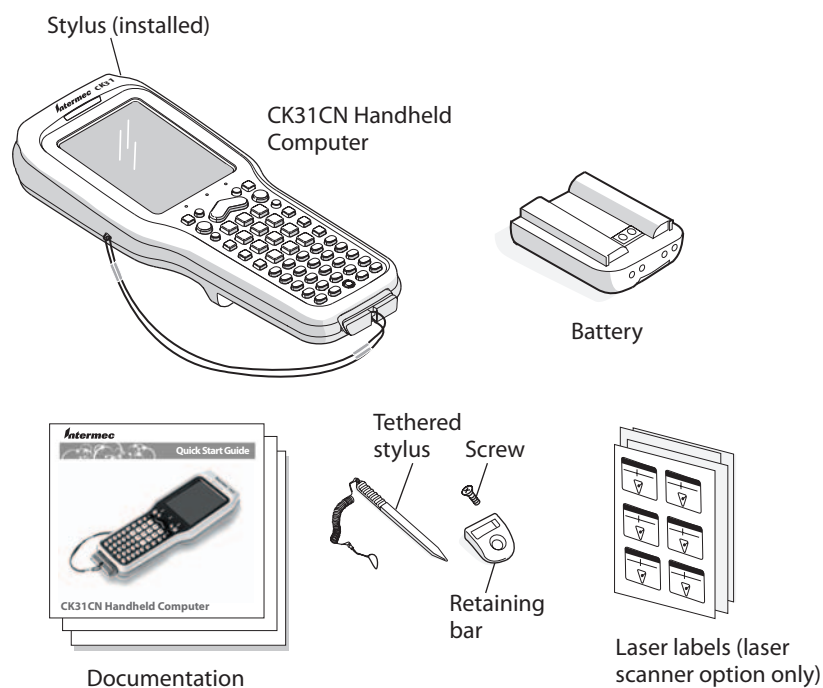
Where to Go From Here

Quick Start Guide



Out of the Box

After you remove the CK31CN from its shipping box, save the box and packing material in case you need to ship or store the computer. The CK31CN shipping box contains these items:



What Is the CK31CN?

The Intermec CK31CN Handheld Computer is an ergonomically designed handheld computer built on the Microsoft® Windows® CE .NET operating system. It is a lightweight, easy-to-use, reliable computer that runs client/server applications, TE 2000™ terminal emulation applications, and web-based applications. The CK31CN has been approved for use in Division 2 hazardous environments.

The CK31CN makes data collection easy and includes these features:

- .NET Compact Framework
- Color display with touch screen
- 64MB flash/64MB RAM memory
- 400 MHz processor
- 2D area imager, 1D linear imager, or laser scanner
- 802.11b/g radio (optional)
- Bluetooth™ radio (optional)
- SmartCard adapter (optional)

You should read this quick start guide if you are a system administrator or other person installing the CK31CN in a network.

If you want basic information such as changing the beeper volume, see the *CK31 Handheld Computer Operator's Guide* (P/N 075388) that shipped in the documentation package. For information on how to install the tethered stylus, see the *CK31 Tethered Stylus Instructions* (P/N 075444) that shipped in the documentation package.

These non-powered accessories are certified for use with the CK31CN: vehicle cradle, battery pack, handle, holsters, protective boot, and protective case. All powered accessories are not certified for use in Division 2 hazardous environments.

Specifications

Physical Dimensions
 Length: 23.4 cm (9.22 in)
 Width: 9 cm (3.54 in)
 Thickness: 5.3 cm (2.07 in); 6.6 cm (2.6 in) with a large case
 Weight: 590 g (20.8 oz)

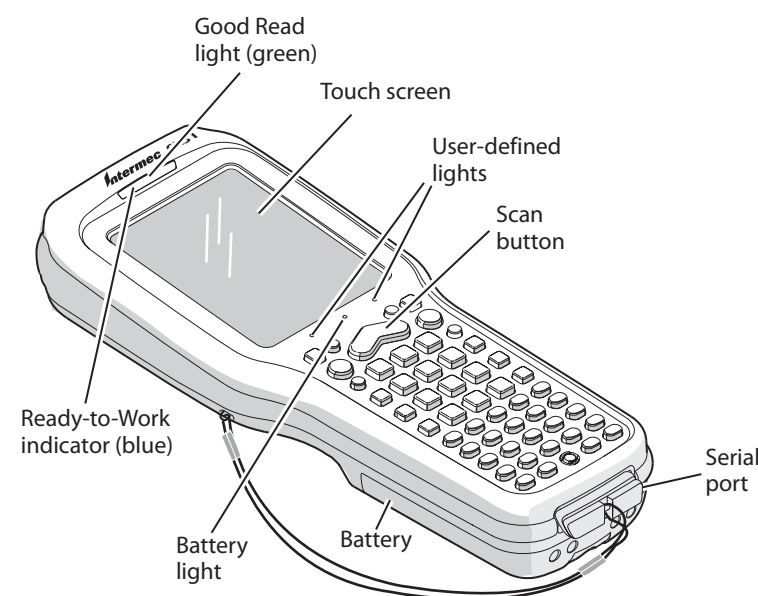
Power Specifications
 Operating: Rechargeable 2400 mAh lithium-ion battery
 Backup: Super Cap supplies 10 minutes bridge time while replacing the main battery

Electrical Specifications
 Model: CK31CN
 Electrical rating: --- 7.4 to 12 ; 500 mA peak

Temperature and Humidity Specifications
 Operating temperature: -20°C to 50°C (-4°F to 122°F)
 Operating humidity: 5 to 95% non-condensing
 Storage temperature: -20°C to 60°C (-4°F to 140°F)
 Storage humidity: 0 to 95% relative humidity, non-condensing

Patent Information
 This product is protected by one or more patents. Refer to the *CK31 Handheld Computer User's Manual* (P/N 075207) for the list of patents.

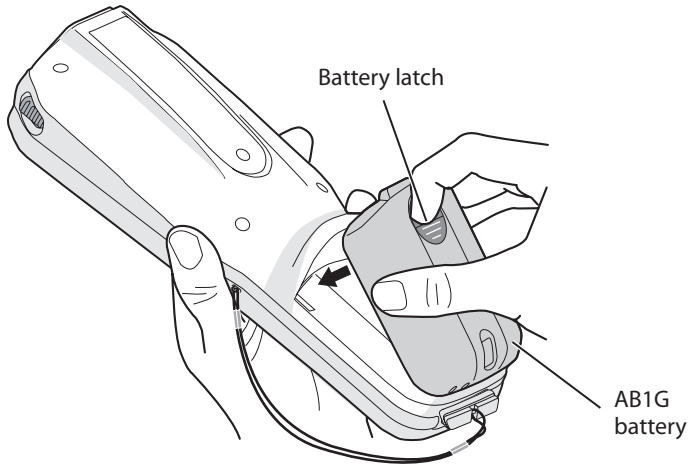
CK31CN Features



CK31CN computers with an IEEE 802.11b/g radio installed are Wi-Fi® certified for interoperability with other 802.11b/g wireless LAN devices.

1 Installing and Charging the Battery

- Charge the CK31CN battery in one of these two ways by moving to a non-hazardous location:
 - Remove the battery and place it in the AC1 4-Slot Battery Charger or AC3 8-Slot Battery Charger.
 - Place the CK31CN (with battery installed) in the AD1 1-Bay Communications Dock, AD2 4-Bay Communications Dock, or AC2 4-Bay Charging Dock.



- Insert the tabs on the bottom of the charged battery into the CK31CN and snap the battery into place. The battery light on the CK31CN blinks three times and the CK31CN turns on.

3 Configuring the CK31CN

After the CK31CN finishes booting up for the first time, the Setup Assistant appears. The Setup Assistant walks you through the process of setting the time and date and the configuration parameters necessary to connect the CK31CN to your network.



Setup Assistant Start Screen

Follow the directions on the Setup Assistant screen to quickly configure your CK31CN. If you need to set additional parameters or change any parameters you set with the Setup Assistant, you can use the Intermec Settings application.

To open Intermec Settings

- Go to **Start > Intermec Settings**.

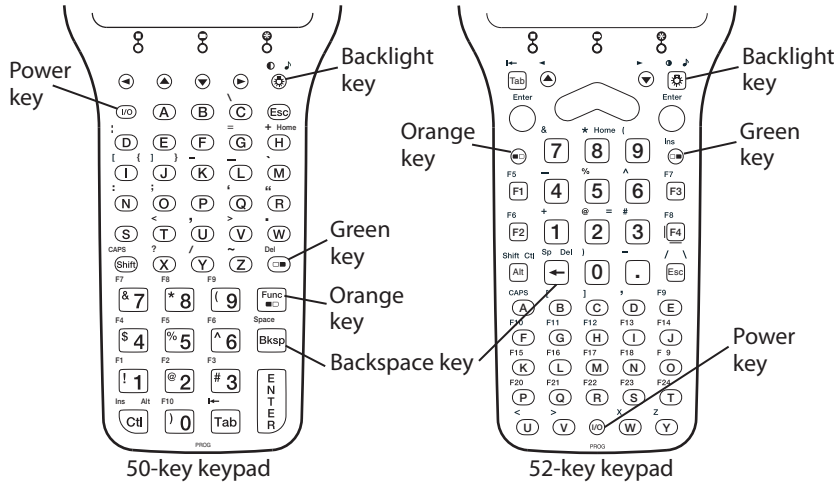
For help loading your applications on the CK31CN, see the *CK31 Handheld Computer User's Manual* (P/N 075207).

2 Turning on the CK31CN and Finding Keys

The CK31CN can have a 52-key full alphanumeric keypad, a 50-key full alphanumeric keypad, or a 42-key large numeric and function keypad. Use this illustration to locate some of the important keys on your CK31CN. The Power (⏻) key may be located in one of two places depending on your keypad: the middle of the bottom row of keys or the upper left corner. Use the 52-key keypad below for reference if you have a 42-key keypad.

To turn on the CK31CN

- Press and release the ⏻ key. The CK31CN turns on.

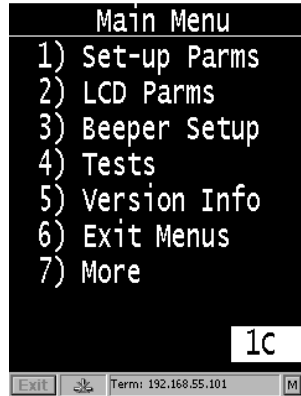


4 Using TE 2000 on Your CK31CN

If you have the TE 2000 terminal emulation application loaded on your CK31CN, it automatically launches after you exit Setup Assistant. The default emulation for TE 2000 is VT340. Use this procedure to enter a server address and set the emulation type.

To enter a server address and set the emulation type

- Tap **M** in the lower right corner and select **TE2000 Menus**. The TE 2000 Main Menu appears.



- Tap **Set-up Params** and type `cr52401` at the **Enter Password** prompt.
- From the Set-up Params menu, go to **Communication > Direct > Host Setup > Host A**.
- Type the address of your host and then press **Enter** twice. You can enter up to 64 alphanumeric characters.
- From the Emulation menu, tap the TE 2000 emulation mode you want to use.
- Press **Enter** until you return to the Main Menu and then tap **Exit Menus**.
- Press **Y** and then type `cr52401` at the **Enter Password** prompt to exit the TE 2000 setup menu.

Using the Keypad

The CK31CN provides color-coded keys to let you access additional characters, symbols, and functions printed on the keypad overlay. Once you understand how to use the color-coded keys and key sequences, you can access all of the additional features printed on the keypad overlay. Make sure you press and release the first key before you press the second key.

Understanding How to Use the Color-Coded Keys

You Want To:	Press:
Use an orange character or function printed above a key	Orange key and then the key with the character or function printed above it
Use a green character or function printed above a key	Green key and then the key with the character or function printed above it
Use a blue character printed on a key	Shift key and then the key with the blue character printed on it
Lock a green, orange, Shift , Ctrl , or Alt key to stay on	, , Ctrl , Alt , or Shift key twice
Unlock a green, orange, Shift , Ctrl , or Alt key	, , Ctrl , Alt , or Shift key once

Troubleshooting

Problem	Possible Solution
You press ⏻ to turn on the CK31CN and nothing happens.	The battery may be discharged. Replace the battery with a spare charged battery or charge the battery and try again. Make sure the backlight is turned on. Press .
You see a battery critically low icon () on the status bar.	Replace the battery immediately with a fully charged battery or place the CK31CN, with the battery installed, in a communications dock.
You use your stylus to tap the screen and nothing happens.	Recalibrate your touch screen. To open the calibration application, go to Start > Touch Calibrate . Follow the directions on the screen.
You are using the 802.11b/g radio and the no connection to the network icon () appears on the status bar.	<ul style="list-style-type: none"> The CK31CN may not be communicating with your access point. Make sure the network name on the CK31CN is the same as the network name (SSID) of the access point you are trying to communicate with. Make sure the CK31CN is within range of an access point. Make sure the CK31CN has been configured correctly for your network.

Scanning a Bar Code With ScanDemo

Use the ScanDemo application to see how the imager or scanner in your CK31CN works. If you have a 2D imager, you can hold your CK31CN in any orientation (360°) while scanning bar codes and you can read 2D bar code symbologies. Using the 2D imager is very similar to taking a picture with a digital camera.

To scan a bar code with ScanDemo

- From the CK31CN desktop, double-tap the ScanDemo icon. The ScanDemo application opens on your desktop.
- Press the **Scan** button on the keypad, or pull the trigger on the handle, and center the red aiming beam over the bar code label. The imager flashes repeatedly. When the CK31CN successfully reads a bar code label, you hear a high beep and the green Good Read light turns on briefly.
- Release the **Scan** button or the trigger.