

Quick Reference Guide

P/N 066389-001

7421/7422 Battery Pack



A **UNOVA** Company

Intermec Technologies Corporation
6001 36th Avenue West
P.O. Box 4280
Everett, WA 98203-9280

U.S. service and technical support: 1-800-755-5505
U.S. media supplies ordering information: 1-800-227-9947

Canadian service and technical support: 1-800-688-7043
Canadian media supplies ordering information: 1-800-268-6936

Outside U.S. and Canada: Contact your local Intermec service supplier.

The information contained herein is proprietary and is provided solely for the purpose of allowing customers to operate and/or service Intermec manufactured equipment and is not to be released, reproduced, or used for any other purpose without written permission of Intermec.

Information and specifications in this manual are subject to change without notice.

© 1998 by Intermec Technologies Corporation
All Rights Reserved

The word Intermec, the Intermec logo, JANUS, IRL, TRAKKER, Antares, Adara, Duratherm, EZBuilder, Precision Print, PrintSet, Virtual Wedge, and CrossBar are either trademarks or registered trademarks of Intermec Technologies Corporation.

Throughout this manual, trademarked names may be used. Rather than put a trademark (TM or ®) symbol in every occurrence of a trademarked name, we state that we are using the names only in an editorial fashion, and to the benefit of the trademark owner, with no intention of infringement.

Introducing the 7421/7422 Battery Pack

Use the 7421/7422 battery pack to print labels on your 7421 or 7422 printer in areas where you do not have access to a power source. The compact design of the battery pack lets you take your 7421 or 7422 printer almost anywhere.

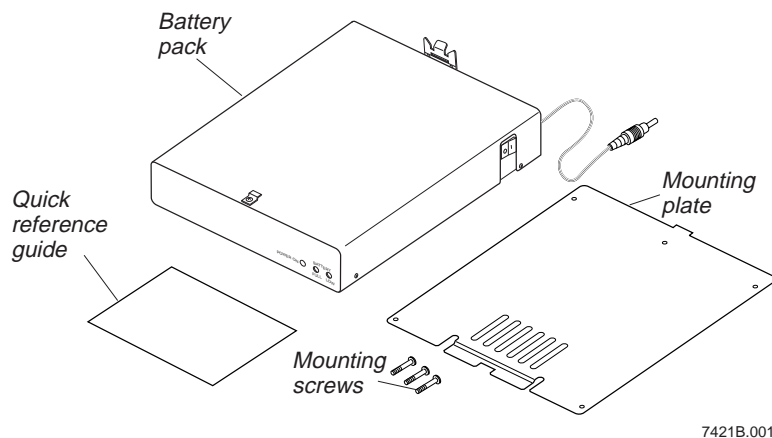
Features of the battery pack include:

- Printing for up to 8 hours without recharging.
- Charging from a printer power supply.
- Electrical ratings of \approx 20V and 2,5A.

Unpacking the 7421/7422 Battery Pack

Make sure that your 7421/7422 battery pack shipping package contains these items:

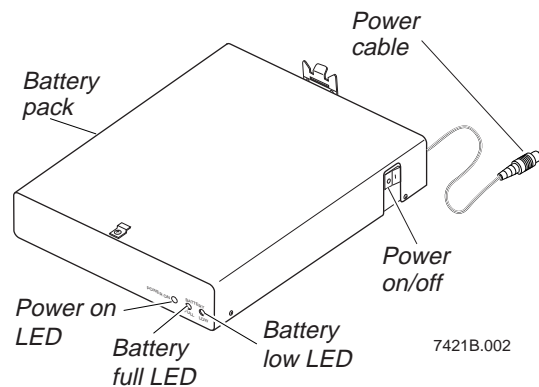
- 7421/7422 battery pack (Intermec part number 065764)
- Mounting plate
- Three mounting screws (M3 x 45 mm)
- *7421/7422 Battery Pack Quick Reference Guide*



If any parts are missing, please contact your local Intermec representative.

Understanding the 7421/7422 Battery Pack

Before you charge the battery pack, review the essential battery pack components.



Battery full LED The battery full light emitting diode (LED) glows green when the battery pack is fully charged. If neither the battery full LED nor the battery low LED is glowing, the battery pack is partially discharged.

Battery low LED The battery low LED glows red when you need to recharge the battery.

Power on LED The yellow power on LED glows when the battery pack is on and is either being used or charged.

Power cable The power cable connects the battery pack to your printer.

Printer power supply The printer power supply attaches to the back of the battery pack to charge the battery pack. The printer power supply is provided with your printer.

Power on/off The power on/off switch turns the battery pack on and off. The battery pack must be on for the printer to print or for the battery pack to accept a charge.

Charging the 7421/7422 Battery Pack

Before you connect the battery pack to your printer, you need to charge the battery pack.



Warning

Do not short-circuit a battery. Burns may result. Short circuits can occur if a battery is placed on a metal shelf or if metal tools are used. To prevent a short circuit, plug the battery pack power cable into a printer or protect it from touching any metal object including the battery pack housing.

Avertissement

Ne pas court-circuiter une batterie. Des brûlures peuvent en résulter. Des courts-circuits peuvent se produire si une batterie est placée sur une étagère en métal ou si des outils métalliques sont utilisés. Pour empêcher tout court-circuit, brancher le câble d'alimentation de la batterie sur une imprimante ou éviter qu'il touche à tout objet métallique, y compris le boîtier de la batterie.

To charge the battery pack

1. Plug the power cable into the power connector on the back of the printer.
2. Attach the battery pack to your printer power supply.
3. Connect the printer power supply to a power source.
4. Turn on the battery pack.

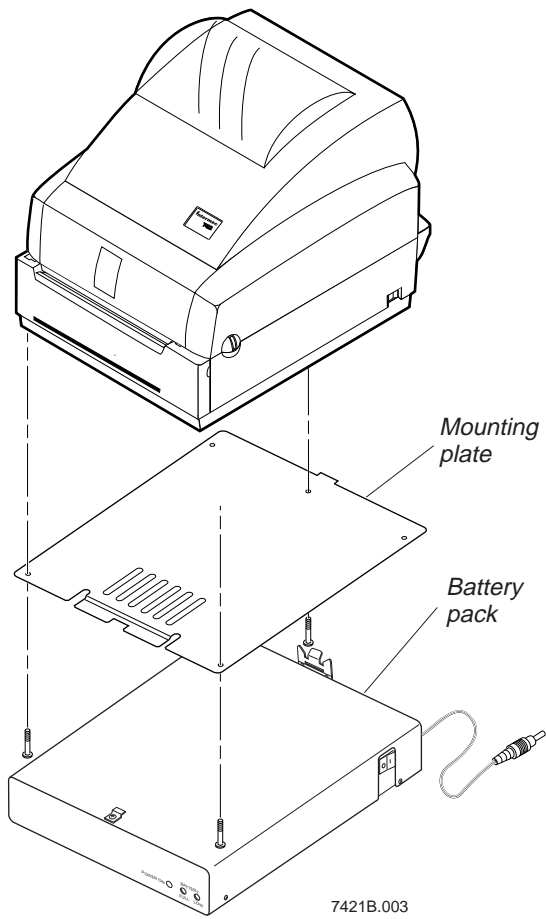
Charging the battery pack should take approximately 13 hours. If the battery full LED stays on after the printer power supply has been disconnected, the battery pack is fully charged.

Note: After you charge the battery pack for the first time, you can recharge the battery pack while it is attached to a printer you are using. For help, see "Recharging the 7421/7422 Battery Pack While Using the Printer" later in this guide.

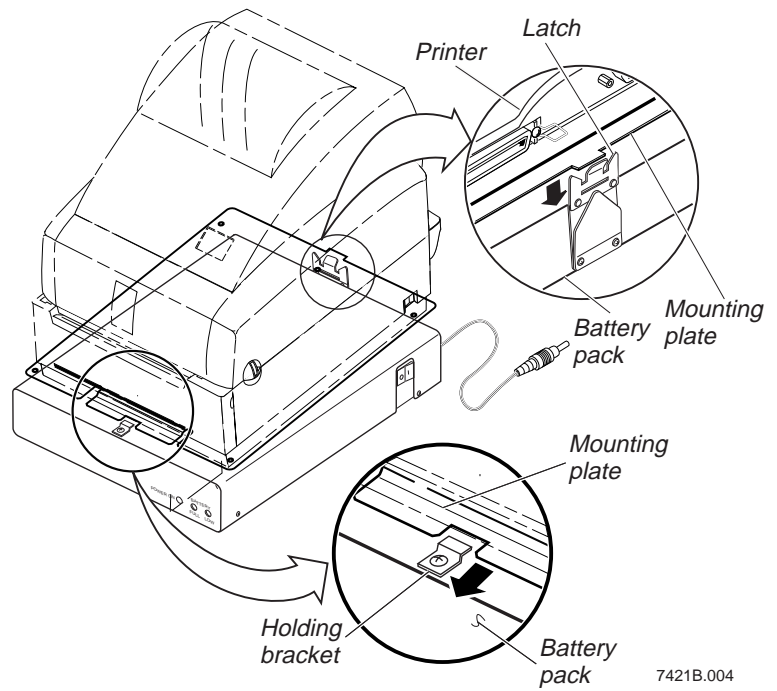
Installing the 7421/7422 Battery Pack

1. Turn off the printer.
2. Disconnect the printer power cable and interface cable.
3. Remove any label stock or ribbon rolls.
4. Remove the four rubber feet from the bottom of the printer.
5. Position the mounting plate with the vents facing the front of the printer.
6. Align the three holes in the mounting plate with the three holes on the bottom of the printer.
7. Turn over the printer and secure the mounting plate to the printer with the three mounting screws that came with the battery pack.
8. Place the battery pack on a flat surface with the latch and power cable pointing to the rear.

Installing the 7421/7422 Battery Pack

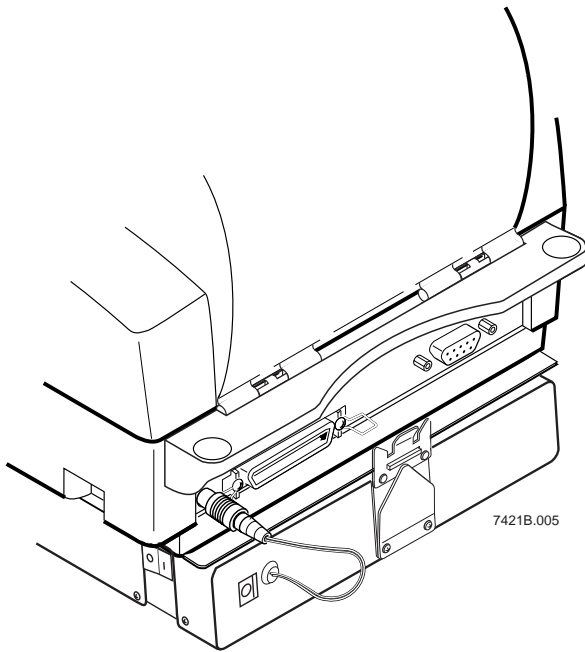


- Slide the front of the printer into the holding bracket on the front of the battery pack. Press the back of the printer down into the latch on the rear of the battery pack.



7421B.004

10. Plug the power cable into the power connector on the back of the printer.



11. Reconnect the printer interface cable.
12. Turn on the battery pack and the printer.

Operating the Printer With the 7421/7422 Battery Pack

1. Turn on the battery pack and the printer.
2. Use the printer until the battery low LED turns on (after an average of 8 hours of operating time).
3. When the battery low LED comes on, turn off the printer and the battery pack.
4. Recharge the battery pack.

Recharging the 7421/7422 Battery Pack While Using the Printer

1. Turn off the printer and the battery pack.
2. Attach the battery pack to your printer power supply.
3. Turn on the battery pack and printer.

Note: Recharging the battery pack with the printer in use will take longer than recharging it with the printer disconnected or turned off.