

3400, 4420, and 4440 Cutter Tray Instruction Sheet

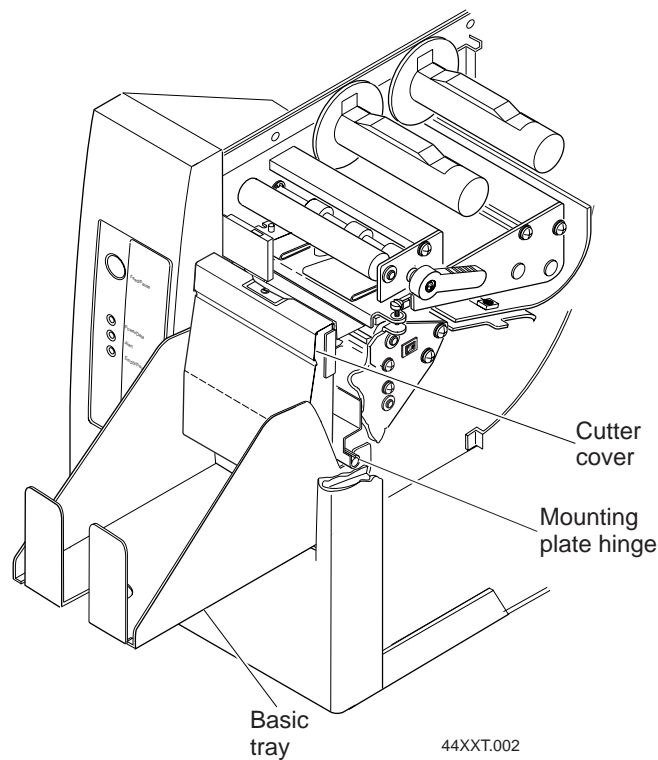
You can use two different cutter trays to collect cut labels from your 3400, 4420, and 4440 printers:

- The basic cutter tray (Part No. 067324)
- The deluxe cutter tray (Part No. 066369)

Both trays hook easily onto the cutter. On the deluxe cutter tray, you can adjust the angle of the tray and the depth of the tray to match the amount of labels you plan to cut.

To attach the basic cutter tray

1. Attach the cutter to your printer. For help, see the *3400, 4420, and 4440 Cutter User's Manual* (Part No. 066391).
2. Slide the tray arms under the mounting plate hinges and hook the tray arms onto the hinges. The tray rests against the front of the printer.

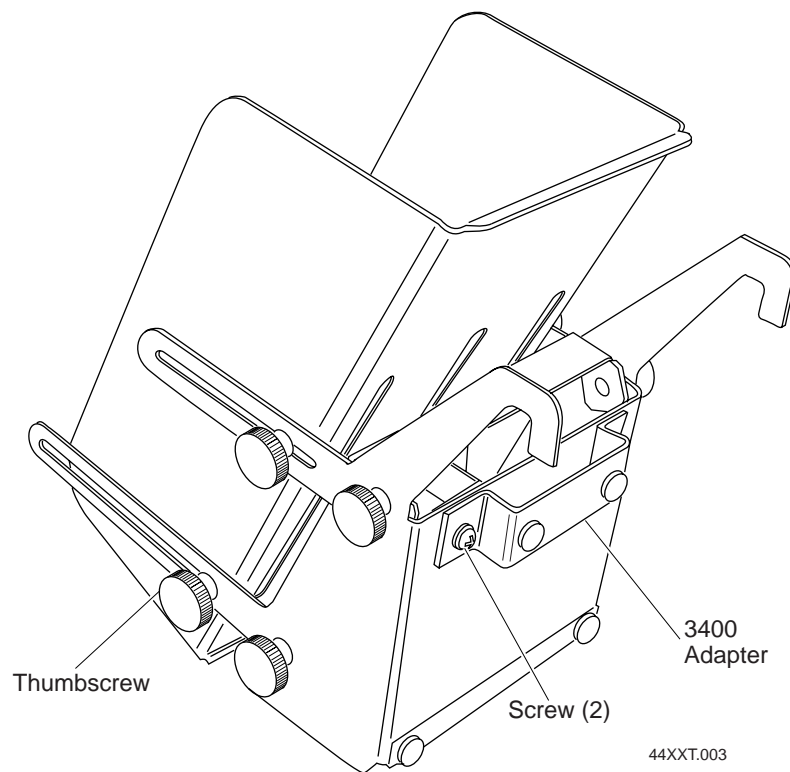


3400, 4420, and 4440 Cutter Tray Instruction Sheet

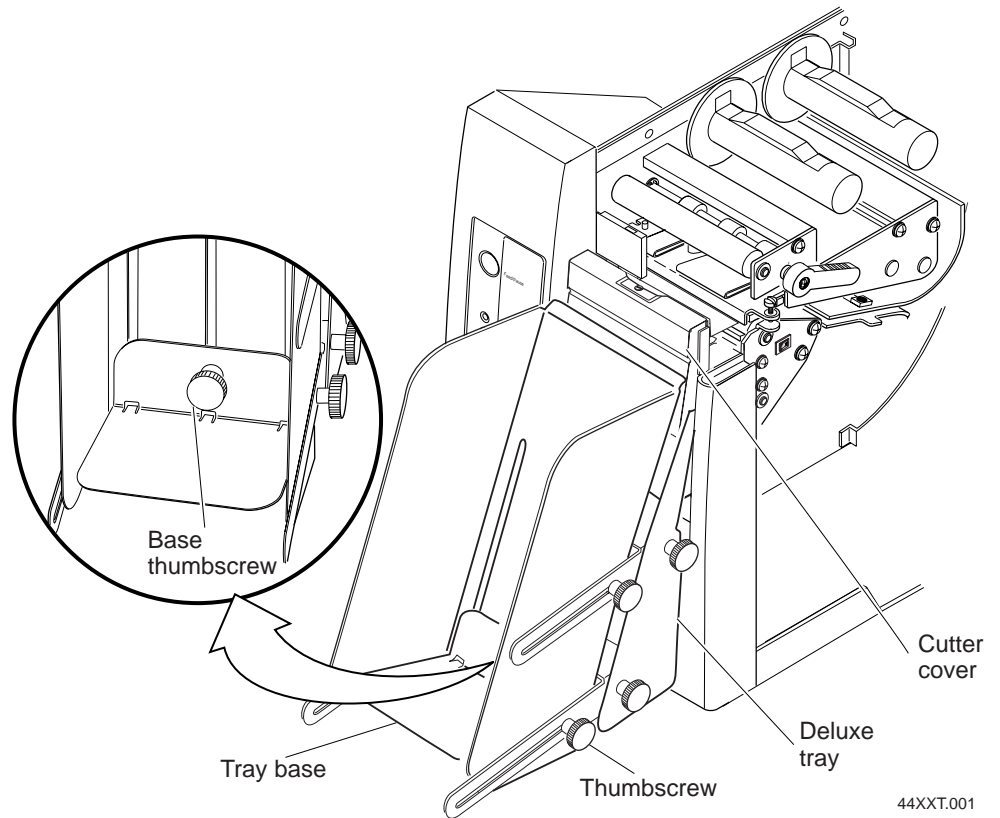
To attach the deluxe cutter tray

Note: Depending on the angle of the tray, it may hang down below the bottom of the printer. If you want the tray to rest at a steep angle, move your printer so that the front is at the edge of the surface it is sitting on.

1. Attach the cutter to your printer. For help, see the *3400, 4420, and 4440 Cutter User's Manual* (Part No. 066391).
2. Loosen the base thumbscrew, slide the base up or down to the position you want, and tighten the base thumbscrew.
3. If you have a 3400 printer, attach the 3400 adapter to the back of the tray with the two Phillips screws that came with the adapter.



4. Loosen the eight thumbscrews on the sides of the tray so that you can adjust the angle of the tray as you hang it.
5. Hang the deluxe tray on the mounting plate hinges.

Attaching the Deluxe Cutter Tray

6. Making sure that the top of the tray rests against the cutter cover, adjust the tray to the angle you choose.
7. Tighten the thumbscrews to secure the angle of the tray.



6001 36th Avenue West
P.O. Box 4280
Everett, WA 98203-9280

© 1998 Intermec
All Rights Reserved
P/N 067548-001