

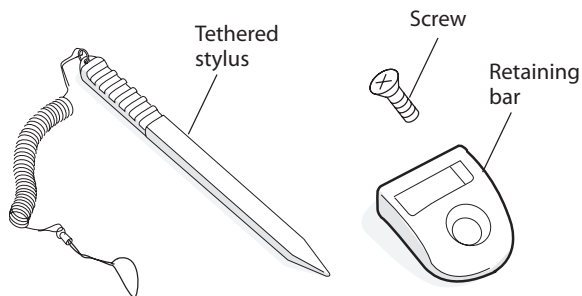


## CK31 Tethered Stylus Instructions

Attach a CK31 tethered stylus to your CK31 Handheld Computer to make sure you can always find your stylus. The tethered stylus installs easily on the back of the CK31 with a single screw.

### Unpacking the Tethered Stylus

The tethered stylus comes in a plastic bag with this instruction sheet and these items:

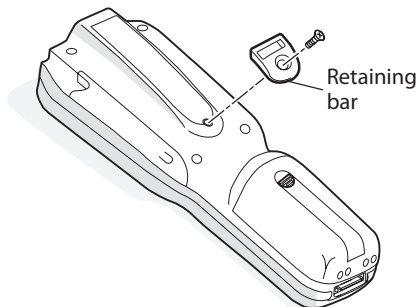


### Installing the Tethered Stylus

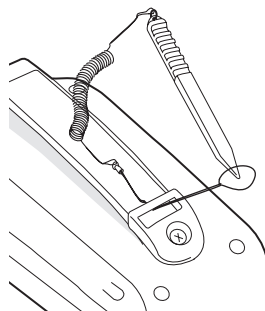
Follow these instructions to install the tethered stylus on the CK31. You will need a small Phillips screwdriver.

#### To install the tethered stylus

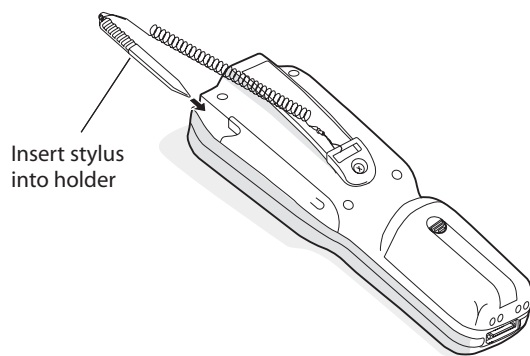
- 1 Secure the retaining bar to the back of the CK31 with the screw.



- 2 Thread the loop on the end of the stylus assembly under the retaining bar.



- 3 Insert the stylus through the loop and tighten the small loop.
- 4 Insert the stylus into the holder on the CK31.



**Intermec**

6001 36th Avenue West  
Everett, Washington 98203  
U.S.A.

**tel** 425.348.2600

**fax** 425.355.9551

[www.intermec.com](http://www.intermec.com)

© 2005 Intermec Technologies  
Corporation. All rights reserved.

CK31 Tethered Stylus Instructions



P/N 075444-001