

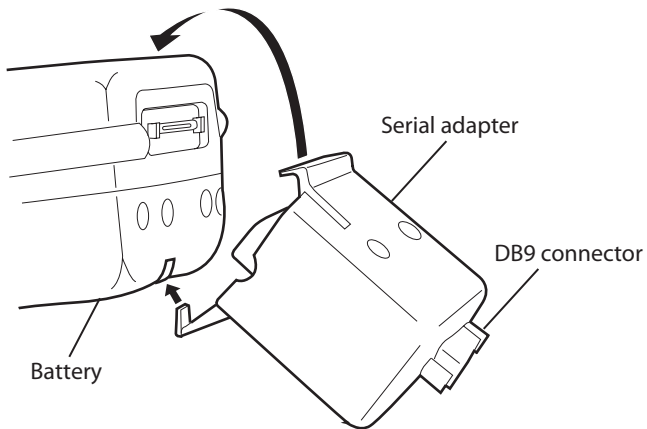


## CK31 Serial Adapter Instructions

Use the CK31 Serial Adapter to turn the 26-pin serial port on the CK31 into a DB9 (9-pin) male serial connector that you can connect to a button link or serial printer.

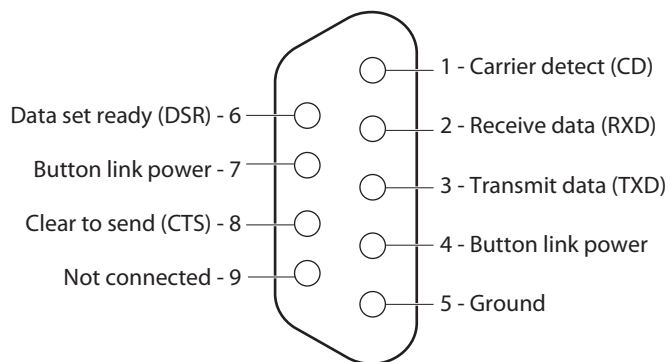
### Installing the Serial Adapter

- 1 Hook the serial adapter into the battery on the CK31 and then snap it into place.



- 2 Connect a button link or serial printer to the DB9 connector on the serial adapter.

## DB9 Connector Pin Assignments



*This illustration shows the pin assignments for the DB9 male connector on the serial adapter.*

## Specifications

Electrical rating:	7.4 VDC, 30 mA peak
Communications port:	DB9 male, RS-232
Operating temperature:	0°C to 50°C (32° to 122°F)
Storage temperature:	-20°C to 60°C (-4°F to 140°F)



Technologies Corporation

6001 36th Avenue West

Everett, WA 98203

U.S.A.

[www.intermec.com](http://www.intermec.com)

© 2004 Intermec Technologies Corp.

All Rights Reserved

CK31 Serial Adapter Instructions



P/N 074727-001