



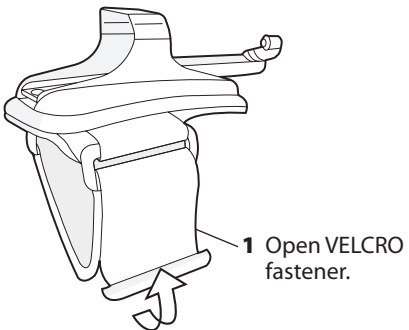
SF51 Forearm Holster Instructions

Use the SF51 Forearm Holster (P/N 074649) to carry the SF51 Cordless Scanner when you are not using it.

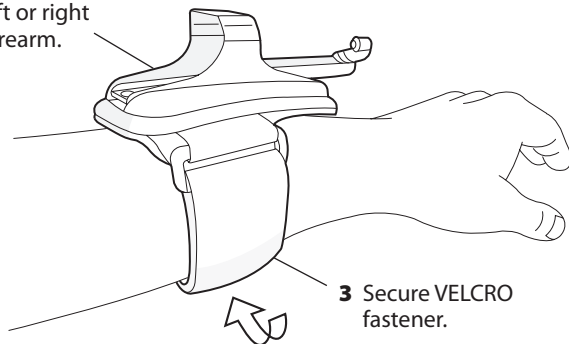


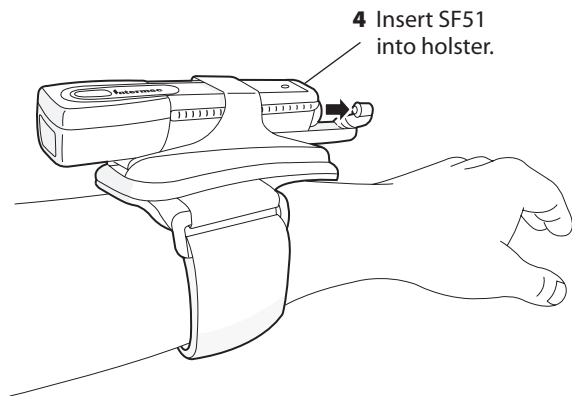
Note: VELCRO is a trademark of Velcro Industries B.V.

To wear and use the forearm holster



2 Slide holster onto left or right forearm.





Intermec

6001 36th Avenue West
Everett, Washington 98203
U.S.A.

tel 425.348.2600

fax 425.355.9551

www.intermec.com

© 2005 Intermec Technologies
Corporation. All rights reserved.

SF51 Forearm Holster Instructions



P/N 074480-001