

# AC2 and AD2 Wall Mount Instructions

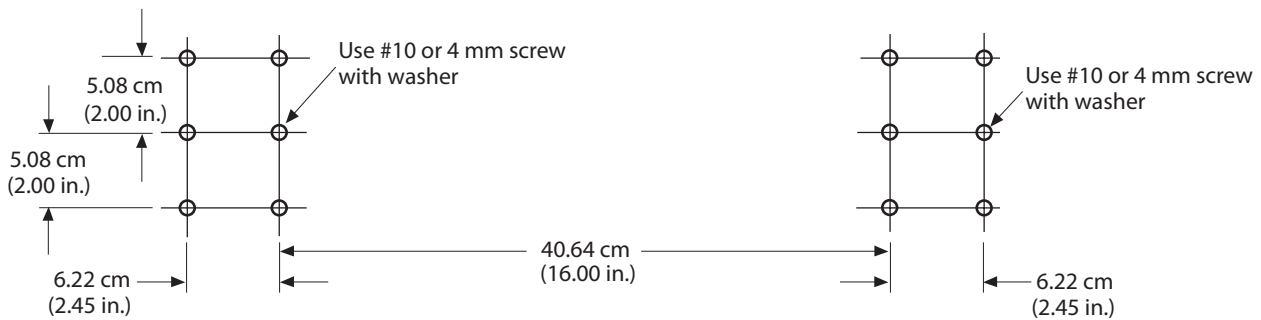
You can use the wall-mount bracket kit (P/N 073352) to mount your AC2 4-Bay Charging Dock or your AD2 4-Bay Communications Dock to a wall or other surface.

## What You Need to Mount the AC2 or AD2

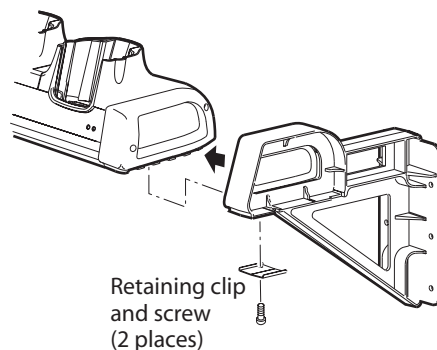
- Wall-mount bracket kit, which includes:
  - two brackets.
  - two unified #6-32, 12 mm (1/2 inch) long screws.
  - two sheet metal retaining clips.
  - these instructions.
- Twelve 4 mm (#10) fasteners and washers appropriate for the wall (not provided). If you are mounting the AC2 or AD2 to wall-board, #10 Molly-bolts are required. Plastic anchors do not provide enough holding strength.
- Appropriate equipment to attach the fasteners (not provided)

## To mount the AC2 or AD2

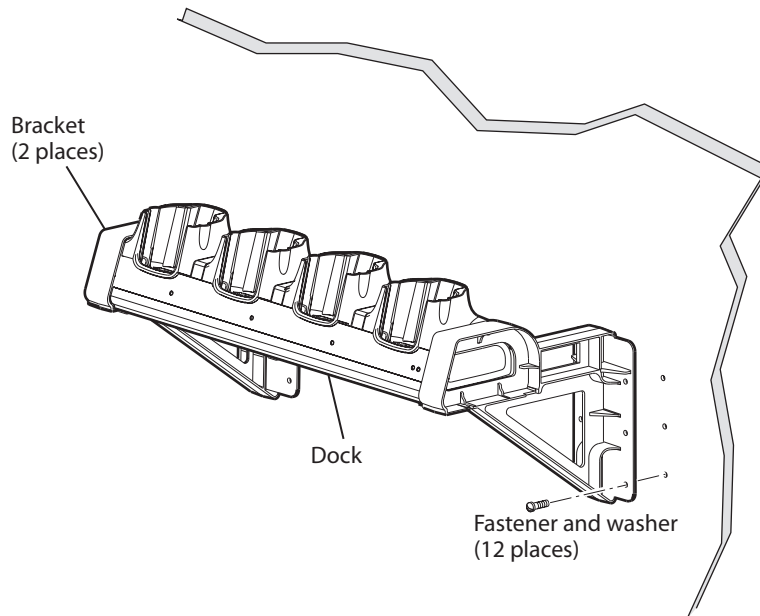
- 1 Mark the location for the fasteners. The following illustration shows the distances. The illustration is not to scale.



- 2 Using the retaining clips and screws in the kit, attach the brackets to the dock.



- 3** Position the dock and brackets where you marked on the wall, and attach the brackets to the wall.



- 4** (Optional) Place another AC2 or AD2 on the wall beside the previously mounted dock.
- a** Attach the second dock to one of the brackets on either side of the mounted dock.
  - b** Attach a third bracket to the end of the second dock that is not attached to a bracket
  - c** Attach the third bracket to the wall.



Technologies Corporation

6001 36th Avenue West

Everett, WA 98203

U.S.A.

[www.intermec.com](http://www.intermec.com)

© 2004 Intermec Technologies Corp.

All Rights Reserved

AC2 and AD2 Wall Mount Instructions



P/N 073433-003