

MobileLAN™ access WA22



6001 36th Avenue West
Everett, WA 98203
U.S.A.

www.intermec.com

© 2002 Intermec Technologies Corp.
All Rights Reserved



MobileLAN access WA22 Quick Start Guide

072829-001

Quick Start Guide



Safety First



Caution

Government regulatory agencies require that this access point only use approved antennas. Therefore, this access point uses a custom antenna connector. Do not use antennas that are not approved for use with this access point.

Attention: Les organismes de réglementation gouvernementaux exigent que ce point d'accès. Par conséquent, le point d'accès est doté d'un connecteur d'antenne personnalisé. N'utilisez pas des antennes qui ne sont pas approuvées.

The WA22 is intended to be powered only from an Ethernet host that complies with the IEEE 802.3af specification for power over Ethernet (POE).

Le WA22 est conçu pour être alimenté à partir d'un hôte Ethernet qui est conforme à la spécification IEEE 802.3af pour l'alimentation par Ethernet (POE de l'anglais Power Over Ethernet).



Caution

Specifications

Physical dimensions	4.6 cm x 16.0 cm x 25.0 cm (1.81 in x 6.27 in x 9.84 in)
Power over Ethernet electrical rating	48V, 315 mA
Operating temperature	-20°C to 55°C (-4°F to 131°F)
Storage temperature	-40°C to 70°C (-40°F to 158°F)
Humidity	10 to 90%, non-condensing

About the WA22

Intermec's MobileLAN™ access family of access points delivers reliable and seamless wireless performance to almost any operational environment. The MobileLAN access WA22 is powered by power over Ethernet to make installation easier. It is designed for standards-based connectivity and it may have up to two of the following radios installed:

- IEEE 802.11b
- IEEE 802.11a



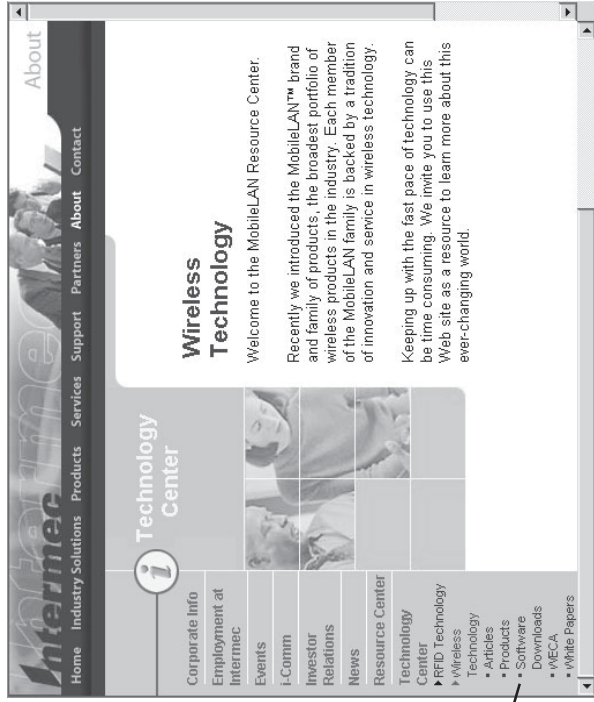
The WA22 with an IEEE 802.11b radio installed is Wi-Fi certified for interoperability with other 802.11b wireless LAN devices.

This quick start guide helps you to understand the WA22 ports and LEDs. You can also use this quick start guide to get an overview of how to install the WA22, how to connect the WA22 to power and to your network, and how to use the MobileLAN access Utility to configure its IP address. Once you assign the WA22 an IP address, you can continue configuring it using a Web browser interface or a Telnet session.

For complete instructions on how to install, operate, configure, maintain, and troubleshoot your WA22, see the *MobileLAN access System Manual* (P/N 067150). Please visit the Intermec Web site at www.intermec.com to download this manual and many other current manuals in PDF format. Or, you can order printed documentation from your local Intermec representative.

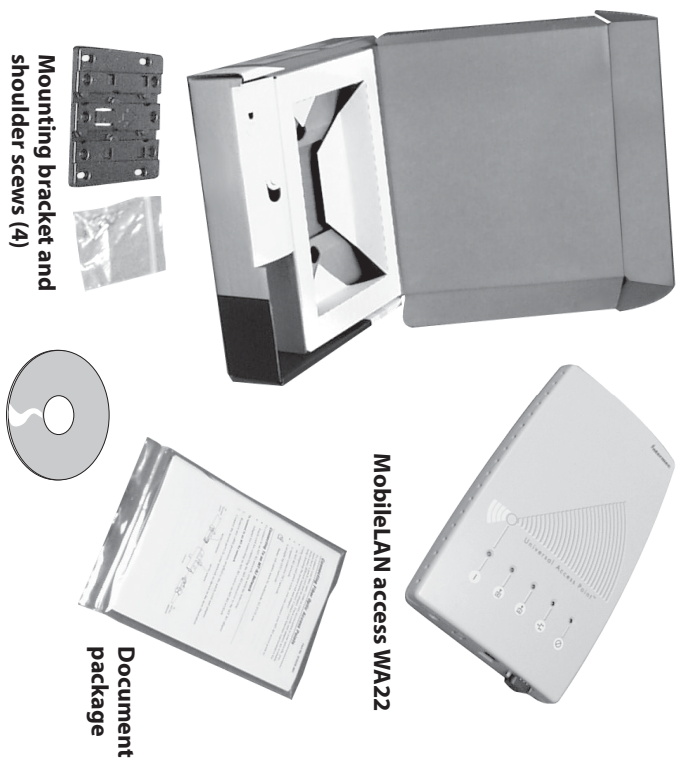
Software Updates

You should check the Intermec MobileLAN Web site at <http://mobilelan.intermec.com> for free software downloads and the latest documentation. To upgrade your access point software, follow the instructions in the *MobileLAN access System Manual*.



Click Software Downloads.

Out of the Box



MobileLAN access WA22

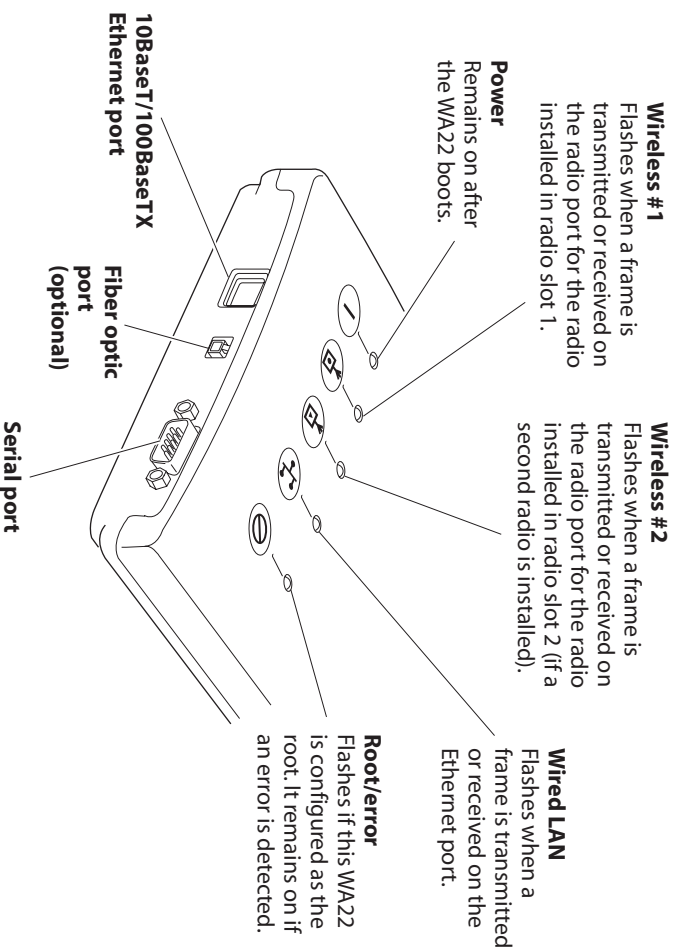
Document package

CD

Mounting bracket and shoulder screws (4)

Note: The WA22 does not ship with an antenna (except one 802.11a radio configuration that ships with non-removable antennas). For a list of antennas and antenna accessories, see the *MobileLAN access System Manual* or contact your local Intermec representative.

1 Defining the LEDs and Ports



2 Mounting the WA22

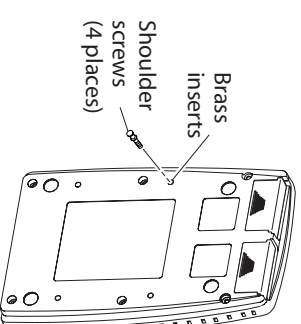
You can place the WA22 on a stable surface or you can mount it to a wall or beam using the wall bracket.



Note: Internec offers a variety of mounting bracket kits. For a complete list, see the *MobilELAN access System Manual*.

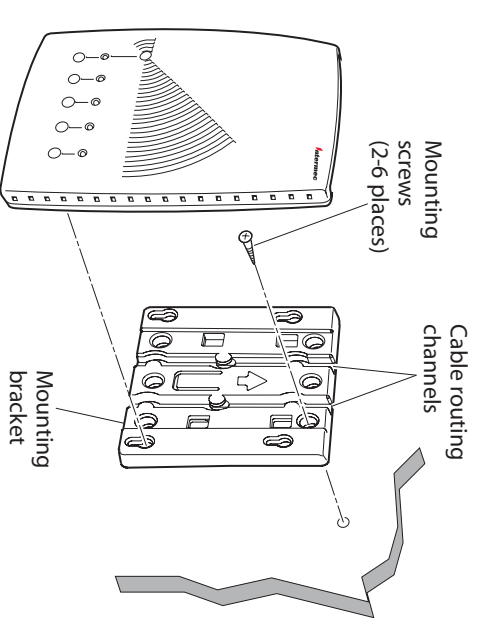
To use the mounting bracket

- 1 Insert one shoulder screw into each of the brass inserts and tighten securely.
- 2 Using the mounting bracket as a template, mark the location of the mounting holes on the mounting surface.
- 3 Drill the holes.
- 4 Position the bracket on the wall with the arrow pointing up and use mounting screws that you provide to secure the bracket to the wall.



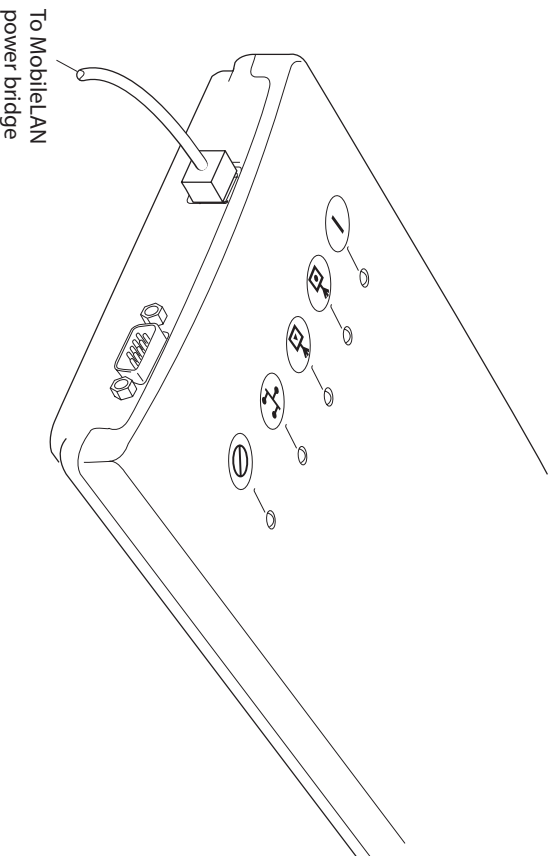
Mounting the WA22 (continued)

- 5 Route the cables through the cable routing channels.
- 6 Mount the WA22 in the bracket by inserting the shoulder screws into the keyhole slots in the bracket. Slide the WA22 down until it is firmly seated in the bracket.



3 Connecting the WA22

- 1 Attach antennas to the WA22. Internec offers a variety of antennas and antenna accessories. For a complete list, see the *MobilELAN access System Manual*.
- 2 Connect the WA22 to your network. You can either use an Ethernet cable to connect the Ethernet port to an Ethernet drop, or you can use the fiber optic port option. For help connecting the WA22 to your fiber optic network, see "Connecting to Your Fiber Optic Network" in the *MobilELAN access System Manual*.
- 3 To power the WA22, use an Ethernet cable to connect the Ethernet port to a MobilELAN power bridge or another 802.3af-compliant power over Ethernet network. For help, see the documentation that shipped with your power bridge.



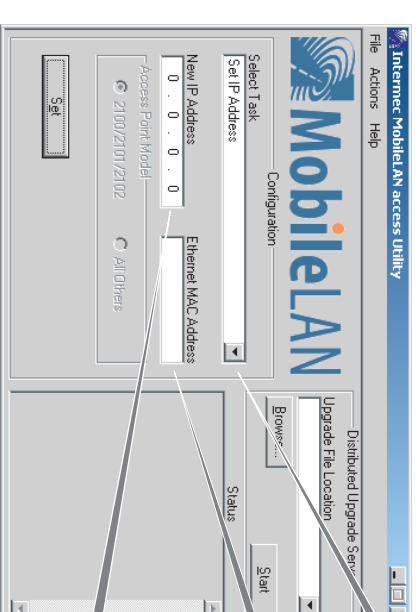
4 Setting an Initial IP Address

- 1 Install the MobilELAN access Utility on your PC by inserting the enclosed CD, clicking Install Software, and following the instructions that appear on your screen. You can also download the software from <http://mobilelan.internec.com>.



Note: Your PC must be on the same Ethernet segment as the access point. Or, if your PC is communicating wirelessly with the access point, you must have an active radio connection.

- 2 Start the utility.
- 3 Configure parameters A through C. See the screen to the right.
- 4 Click Set.
- 5 Reboot the access point by disconnecting it from and reconnecting it to a power source. The Status box lets you know when the new IP address is successfully set.



- A Click the down arrow and choose Set IP Address.
- B Enter the Ethernet MAC address of the access point (printed on a label on the access point).
- C Enter the new IP address of the access point.

Congratulations!

Your wireless end devices can now begin transmitting data packets through the WA22 to your wired network. To continue configuring the access point, from the Actions menu choose Configure Access Point. Your Web browser application (for example, Internet Explorer) starts and the Access Point Login screen appears.