



Instructions



Technologies Corporation
6001 36th Avenue West
Everett, WA 98203
U.S.A.

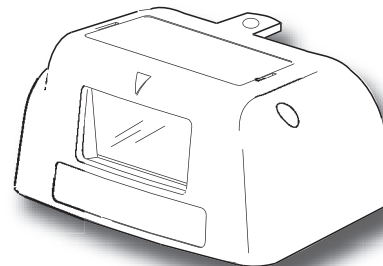
www.intermec.com

© 2003 Intermec Technologies Corp.
All Rights Reserved

Trakker Antares 242X PDF417 Scan Module Instructions



071975-002



Trakker Antares® 242X PDF417 Scan Module

Trakker Antares 242X PDF417 Scan Module Instructions

The PDF417 scan module lets you scan PDF417 bar code labels. To use the PDF417 scan module, you need to upgrade your terminal firmware to version 7.15 or later. You can download the firmware at no charge from the Intermec web site at www.intermec.com.



Note: Observe all static electricity precautions before installing the scan module.

1 Install the Scan Module

- 1 Make sure the 242X is off, and lay it face down on a clean and sturdy work surface.
- 2 Remove the scan module from the 242X.
- 3 Align the new scan module guides with the terminal guides and gently press the scan module onto the terminal.

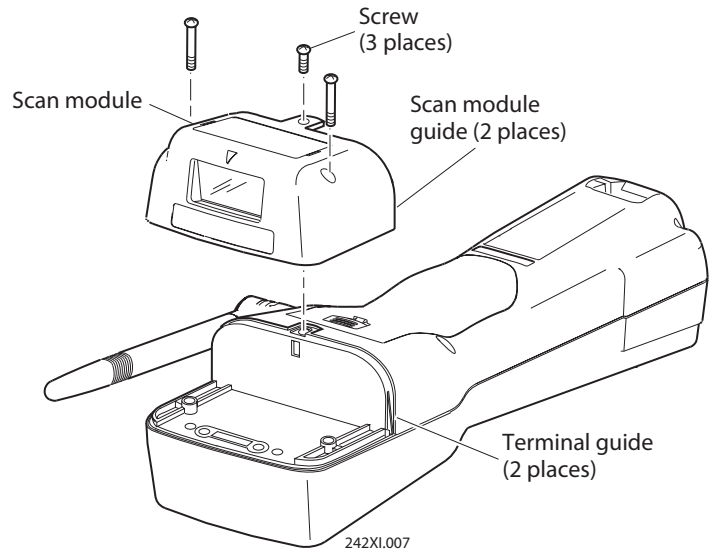


Caution

The scan module guide pins and connector should fit easily into the connector on the terminal. DO NOT force the module into the connector or you may damage the module connector, the terminal, or both.

Attention: Les broches guides et le connecteur du module de balayage devraient tenir aisément dans le connecteur du terminal. NE forcez PAS le module dans le connecteur au risque d'endommager le connecteur du module, le terminal ou les deux.

- 4 Secure the scan module to the terminal.



2 Configure the 242X

- 1 Press **Ⓜ** to turn on the terminal. The terminal may beep.
- 2 Press **f** **⏪** **2** **4** **8** to access the TRAKKER Antares 2400 Menu System.
- 3 From the Main Menu, choose Configuration Menu > Terminal Menu > Scanner.
- 4 Make sure that the Scanner Selection command is set to Intermec 1551E.
- 5 Exit the TRAKKER Antares 2400 Menu System and save all changes. The terminal boots and the scanner is initialized.

- 6 Enable the PDF417 symbology by scanning this bar code:



- 7 Save the configuration in flash memory by scanning this bar code:



3 Scan PDF417 Bar Codes

Use the following sample PDF417 bar code to test the scan module.

Sample PDF417 Bar Code



Reg PAN 123 ABC Dec 1999

To scan a PDF417 bar code

- 1 Press **Ⓜ** to turn on the terminal.
- 2 Point the 242X slightly above or below the bar code label, and press the scan button or the trigger.
- 3 Pass the beam over the bar code label in a steady sweeping motion.

The 242X emits an audible crackle sound indicating that the terminal is within the correct range and at the appropriate angle and is successfully scanning the bar code.

