

The logo for Intermec, featuring the word "Intermec" in a bold, italicized sans-serif font. The letter "I" is significantly larger and more prominent than the other letters.

**Intermec**



Installation  
Instructions

**Trakker Antares<sup>®</sup>  
243X Vehicle Dock**

Intermec Technologies Corporation  
6001 36th Avenue West  
Everett, WA 98203

U.S. service and technical support: 1-800-755-5505  
U.S. media supplies ordering information: 1-800-227-9947

Canadian service and technical support: 1-800-668-7043  
Canadian media supplies ordering information: 1-800-268-6936

Outside U.S.A. and Canada: Contact your local Intermec service supplier.

The information contained herein is proprietary and is provided solely for the purpose of allowing customers to operate and/or service Intermec manufactured equipment and is not to be released, reproduced, or used for any other purpose without written permission of Intermec.

Information and specifications in this manual are subject to change without notice.

© 2002 by Intermec Technologies Corporation  
All Rights Reserved

The word Intermec, the Intermec logo, INCA (under license), MobileLAN, JANUS, IRL, Trakker Antares, Universal Access Point, UAP, TE 2000, EZBuilder, Data Collection Browser, dcBrowser, and CrossBar are either trademarks or registered trademarks of Intermec Technologies Corporation.

Throughout this manual, trademarked names may be used. Rather than put a trademark (™ or ®) symbol in every occurrence of a trademarked name, we state that we are using the names only in an editorial fashion, and to the benefit of the trademark owner, with no intention of infringement.

There are U.S. and foreign patents pending.

# **Contents**

***Introducing the 243X Vehicle Dock 5***

***Installation Guidelines 5***

***Installing the Vehicle Dock 6***

***Inserting the 243X in the Vehicle Dock 8***

***Connecting to Power, Serial Devices, and Scanners 9***

*Connecting to a Power Supply 9*

*Connecting to Serial Devices and Scanners 11*

## ***Introducing the 243X Vehicle Dock***

---

The 243X vehicle dock is designed to be installed on a vehicle, such as a forklift truck, or in an office setting. These installation instructions explain how to install the standard (Part No. 071805) and powered (Part No. 071695) vehicle dock for your Trakker Antares® 243X hand-held terminal.

The 243X vehicle dock kit contains these parts:

- Vehicle dock
- Serial communications adapter (powered kit only)

You can order the optional swivel stand (Part No. 070803-001) separately.

You may also need the following tools and materials (not included):

- Common hand tools
- Mounting hardware (depends on the thickness of the mounting surface)
- Electric drill and drill bits

## ***Installation Guidelines***

---

Read the following guidelines before you install the vehicle dock.

- Choose a location for the vehicle dock where the operator can easily see the 243X screen and use the keypad. If possible, install the vehicle dock in a location that prevents glare from overhead lighting and sunlight. Make sure there is enough clearance to insert and remove the 243X.
- Secure the power cables (powered kit only) at least every 45 cm (18 in) throughout the length of the cable run, using adjustable clamps or tie-wraps.
- Route all cables (powered kit only) to minimize exposure to damage. Make sure the cables will not be pinched or rubbed by any moving parts on the vehicle. In some applications, you may need to sheath the cable to prevent it from being pinched.



### **Warning**

*To prevent fire or electric shock, do not expose the vehicle dock to rain or moisture.*

### **Avertissement**

*Pour éviter des risques d'incendie ou de choc électrique, ne pas exposer le station d'accueil à la pluie ou à l'humidité.*

### To install the 243X vehicle dock

1. Install the vehicle dock.
2. Insert the 243X in the vehicle dock.
3. Connect to power, serial devices, and scanners (powered kit only).

Each step is described in detail in the next sections. If you have the swivel stand accessory, continue with the instructions on page 7.

## ***Installing the Vehicle Dock***

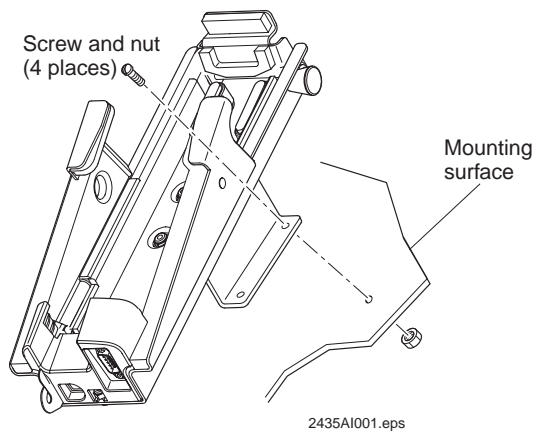
There are two methods to install the vehicle dock:

- Attach the vehicle dock directly to a mounting surface.
- Attach the vehicle dock to the swivel stand accessory (Part No. 070803-001) (Optional)

Intermec recommends using the swivel stand accessory. Each method is described in the following instructions.

### To attach the vehicle dock to a mounting surface

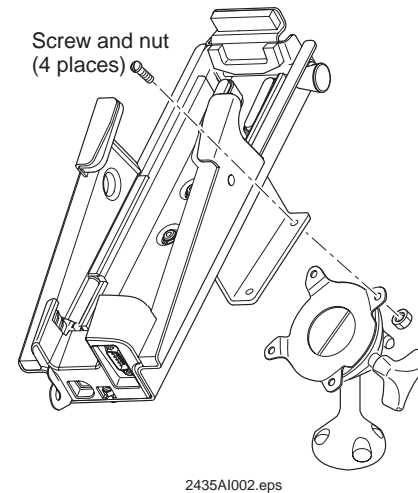
1. Choose a mounting location for the vehicle dock. Refer to the guidelines on page 5.
2. Using the vehicle dock as a template, mark and drill four holes in the mounting surface.



3. Attach the vehicle dock to the mounting surface using appropriate mounting hardware (up to a #10 screw, not supplied) through each of the four holes in the vehicle dock and the mounting surface.

### To attach the vehicle dock to the swivel stand

1. Attach the vehicle dock to the swivel stand as shown. Use a screw and nut (included in the swivel stand kit) through each of the four holes in the vehicle dock and the swivel stand.

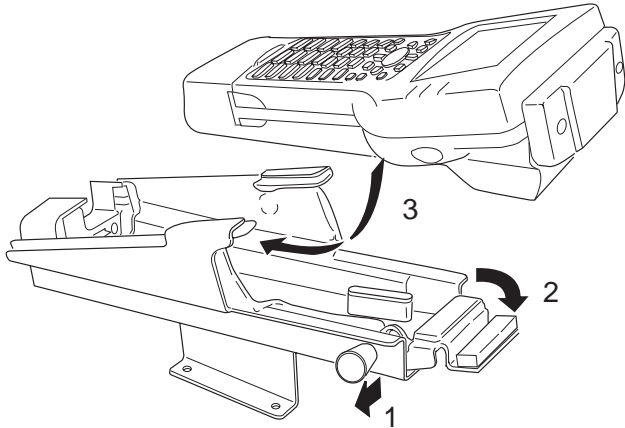


2. Using the swivel stand as a template, mark and drill four holes in the mounting surface.
3. Attach the swivel stand to a mounting surface using the mounting hardware provided.

## ***Inserting the 243X in the Vehicle Dock***

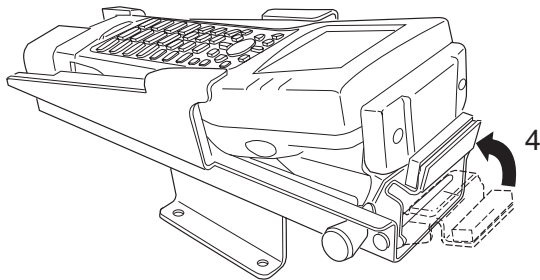
---

1. Pull the release for the retaining bracket.



2435AI005.eps

2. Lower the retaining bracket.
3. Slide the 243X into the vehicle dock as shown in the previous illustration. Make sure that the 243X is firmly seated in the dock.
4. Push the retaining bracket toward the top of the 243X. The retaining bracket produces one or two audible “clicks” when it snaps into place.



2435AI007.eps

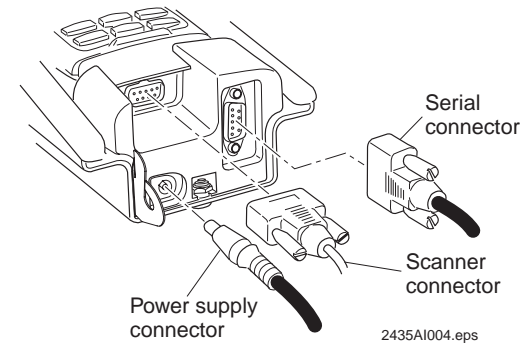
### **To remove the 243X from the vehicle dock**

1. Pull the release for the retaining bracket.
2. Lower the retaining bracket.
3. Slide the 243X out of the vehicle dock.

## ***Connecting to Power, Serial Devices, and Scanners***

---

If you are installing the powered vehicle dock, you can connect to a power supply, a scanner, and a serial device such as a printer.



2435AI004.eps

### ***Connecting to a Power Supply***

The powered vehicle dock can be connected to either a DC or AC power supply. The power supply accessories are sold separately.

For a vehicle installation, you need one of these DC power supply kits (sold separately):

- Low-input voltage kit (6 to 36 VDC) (Part No. 070833)
- High-input voltage kit (15 to 96 VDC) (Part No. 070834)

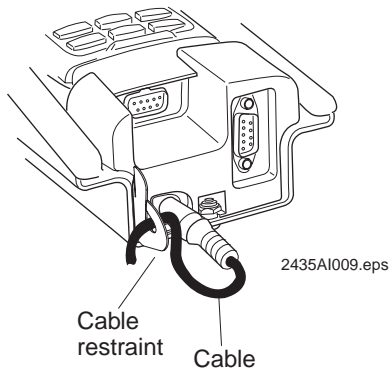
For a fixed installation in an office setting, you need the 12V power supply (Part No. 065236) and one of these AC power cords:

Country	Part No.
Chile and Italy	586282
China and South Pacific	586281
Denmark and Greenland	586283
Europe	586267
Liechtenstein and Switzerland	586276
North America and Central America	586105
United Kingdom	586266

For more information about ordering these Intermec power supply accessories, contact your Intermec sales representative.

### To connect to a power supply

1. For a vehicle installation, install the DC power supply. For help, see the instructions included in the DC power supply kit. Connect the power cable to the DC power supply.
2. Attach the power supply connector on the other end of the power cable to the power port on the vehicle dock as shown in the illustration on page 9.
3. Loop the power cable into the cable restraint.



4. For a fixed installation, connect the power cord from the AC power supply to an AC power source.

## Connecting to Serial Devices and Scanners

To connect to a serial device such as a printer, you need a compatible 9-pin RS-232 serial cable (not included). The following table lists the pin assignments for the port on the serial communications adapter. You can use this table to determine if your serial device cable is compatible.

Pin	Signal	Direction From 243X
1	Not used	
2	Received Data (RXD)	Incoming
3	Transmitted Data (TXD)	Outgoing
4	Not used	
5	Ground (GND)	
6	Not used	
7	Request to Send (RTS)	Outgoing
8	Clear to Send (CTS)	Incoming
9	Not used	

### To connect to a serial device

1. Attach the serial cable to your serial device.
2. Attach the serial connector on the serial cable to the serial port on the vehicle dock as shown in the illustration on page 9.

### To connect to a scanner

- Attach the scanner connector on the scanner cable to the scanner port on the vehicle dock as shown in the illustration on page 9.



You need to connect the vehicle dock to a power supply before you can use a tethered scanner.

You need to use an interface cable to connect an input device to the scanner connector. To determine which adapter cable you need, see your Intermec sales representative.

If you are using a tethered scanner, you can purchase these accessories (sold separately) to store your tethered scanner when it is not being used:

- Tethered scanner holster (Part No. 062443)
- Tethered scanner bracket (Part No. 063911)

For more information about ordering these accessories, contact your Intermec sales representative.

Intermec is frequently testing and developing new input devices. For an updated list of Intermec-recommended input devices for the 243X or for help determining which adapter cable you need, see your Intermec sales representative.



**Corporate Headquarters**  
6001 36th Avenue West  
Everett, Washington 98203

**tel** 425.348.2600

**fax** 425.355.9551

[www.intermec.com](http://www.intermec.com)

Trakker Antares 243X Vehicle Dock Installation Instructions



\*071793-002\*