

European Union Compliance

This Sabre accessory complies with EN 60950 as required by the Low Voltage Directive 73/23/EEC as amended by 93/68/EEC. It is intended for use only with an Intermec-labeled lithium-ion battery pack (Part No. 070067) and NiMH battery pack (Part No. 070066).

Specifications

Electrical requirements:	Input voltage: 220 to 254 V AC Frequency: 47 to 63 Hz
Batteries:	NiMH battery pack (Part No. 070066) Lithium-ion battery pack (Part No. 070067)
Charging environment:	Temperature: 0°C to 40°C (32°F to 104°F) Humidity: 0 to 95%, non-condensing
Storage environment:	Temperature: -30°C to 60°C (-22°F to 140°F)

Design and specifications are subject to change without notice.



Warning

To prevent fire or electric shock, do not expose the charge adapter to rain or moisture.

Avertissement

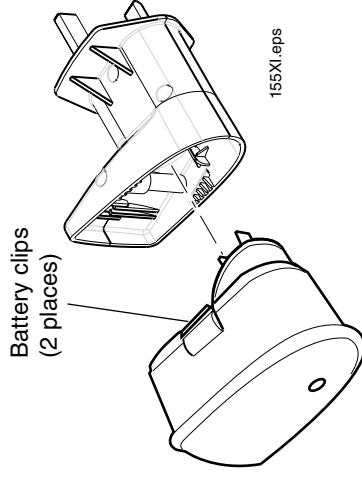
Pour éviter des risques d'incendie ou de choc électrique, ne pas exposer l'adaptateur secteur à la pluie ou à l'humidité.

Sabre Charge Adapter Instructions

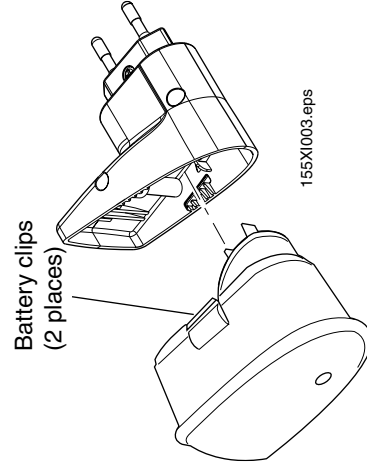
The Sabre™ charge adapter lets you charge a single battery pack for the Sabre 1552 and 1555 scanners. You can order two different types of charge adapters:

- United Kingdom (UK) adapter (Part No. 071145)
- European adapter (Part No. 071146)

UK Charge Adapter



European Charge Adapter



This instruction sheet describes how to use the charge adapter. Before using a charge adapter, please read this guide thoroughly and retain it for future reference.

Intermec
Technologies Corporation

6001 36th Avenue West
P.O. Box 4280
Everett, WA 98203-9280

© 2001 Intermec
All Rights Reserved

Part No. 071390-002



071390-002

Charging a Battery Pack

You can charge the following batteries with the charge adapter:

- Nickel-metal-hydride (NiMH) battery pack (Part No. 070066)
- Lithium-ion battery pack (Part No. 070067)



Note: Charging the battery packs at temperatures between 0°C and 20°C (32°F and 68°F) provides the highest capacity.

To load a battery pack into the charge adapter

1. Align the battery pack with the charge adapter, and push down on the battery pack until the battery pack clips snap in place.
2. Connect the charge adapter to an AC outlet. Charge the battery packs for 4 hours.

To unload a battery pack from the charge adapter

- Push in the battery pack clips and pull the battery pack out of the adapter. You can unload and use a battery pack before it has been fully charged.

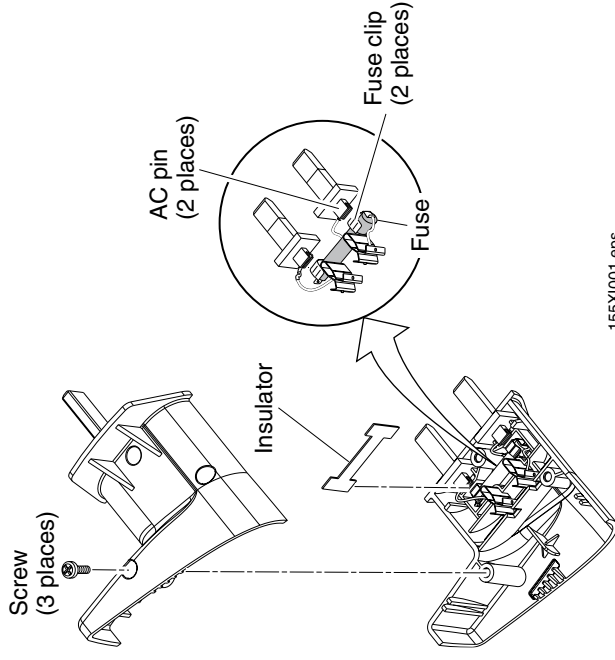
Replacing the UK Adapter Fuse

If the adapter fuse burns out, replace it by first separating the two halves of the adapter and removing the old fuse.

To replace the UK adapter fuse

1. Remove and retain the three screws securing the two halves of the charge adapter together.
2. Remove the insulator, and remove and discard the fuse.
3. Replace the fuse with one that meets BS-1362 standard with a 3 amp, 240 volt rating. Make sure that the wires are properly routed as shown.
4. Insert the insulator between the fuse clips and the AC pins.
5. Fit the two halves together, and replace the three screws. Make sure that the wires are not pinched between the two halves of the adapter.

Replacing the UK Adapter Fuse



Important Recommendations and Features

- Charge the battery pack immediately before use or at least within several days of use.
- Remove the battery pack from the charge adapter within 24 hours after charging is completed.
- Do not disassemble the European charge adapter. There are no user-serviceable parts in the European charge adapter.
- Do not place the charge adapter in locations that are extremely hot, cold, dusty, dirty, very humid, or subject to vibration.
- The UK adapter comes with a fuse that can be replaced.
- If the light on the battery pack does not come on when the battery pack is loaded into the charge adapter, if any part of the charge adapter appears damaged, or if any difficulty arises while using the charge adapter, unplug the charge adapter immediately and contact your Intermec service representative.