

4420 Hinged Media Cover Instruction Sheet

The following instructions explain how to install a hinged media cover on the Intermec 4420 printer.

Parts Provided:

- Hinged media cover
- Phillips screws (2)

Tools Required:

- Phillips screwdriver



Warning

Electrical equipment can be dangerous! Make sure the printer power switch is turned off and the AC power cord is disconnected before opening the printer media cover. Working on live equipment can cause injury or death.

Avertissement

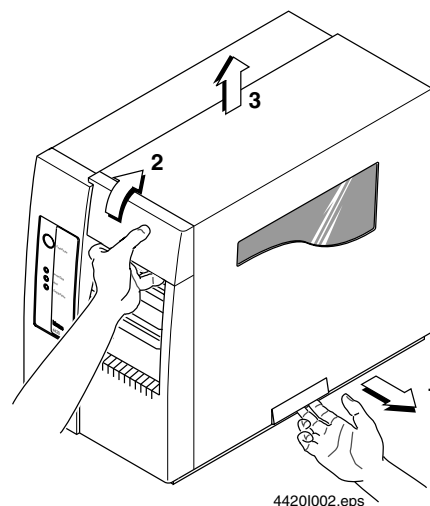
Le matériel électrique peut être dangereux ! Assurez-vous que l'interrupteur d'alimentation de l'imprimante est éteint et que le cordon d'alimentation est débranché, avant d'ouvrir le couvercle du support d'imprimante. Travailler sur du matériel sous-tension peut provoquer des blessures ou la mort.

Installing the Hinged Media Cover

Remove the standard media cover before installing the hinged media cover.

To remove the standard media cover

1. Place the fingers of your right hand under the embossed section of the media cover (the media cover release), and pull the bottom of the media cover away from the base of the printer.



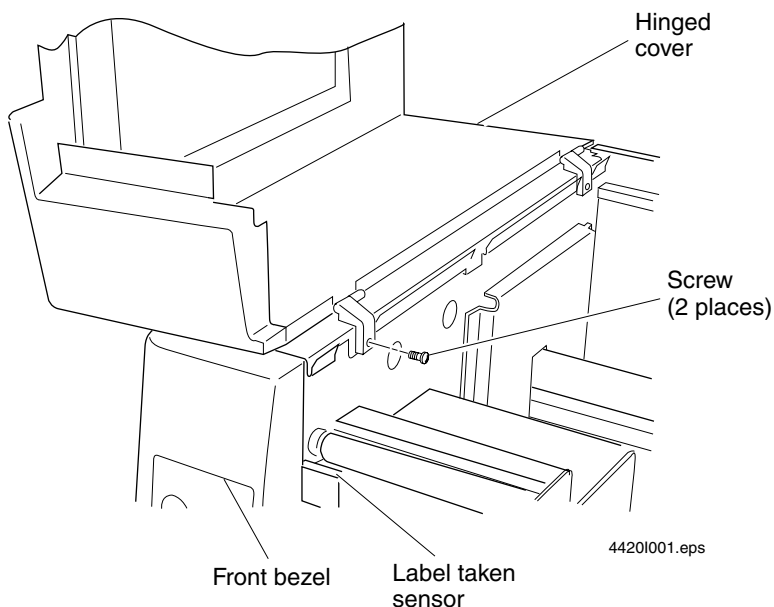
2. Grasp the front of the media cover with your left hand and lift the front of the media cover upward to release it from the printer frame.
3. Lift the media cover away from the top of the printer. Discard the media cover.
4. Remove and discard the two outer screws securing the electronics cover to the printer. Do not remove the center screw.

To install the hinged media cover

1. Fit the media cover over the printer, aligning the pilot holes on the hinges with the pilot holes on the back cover of the printer.
2. Install the two Phillips screws (included with the hinged media cover) through the hinges into the back cover. Allow a clearance of at least 41.91 cm (17 in) around the printer to open and close the media cover.



Note: Adjust the media cover while tightening the screws to ensure that the front bezel clears the label taken sensor; otherwise, the sensor may break.



Part No. 070876-001



070876-001

Intermec
Technologies Corporation

6001 36th Avenue West
P.O. Box 4280
Everett, WA 98203-9280

© 2000 Intermec
All Rights Reserved