

MobileLAN access WA22/2101 Locking Bracket Instruction Sheet

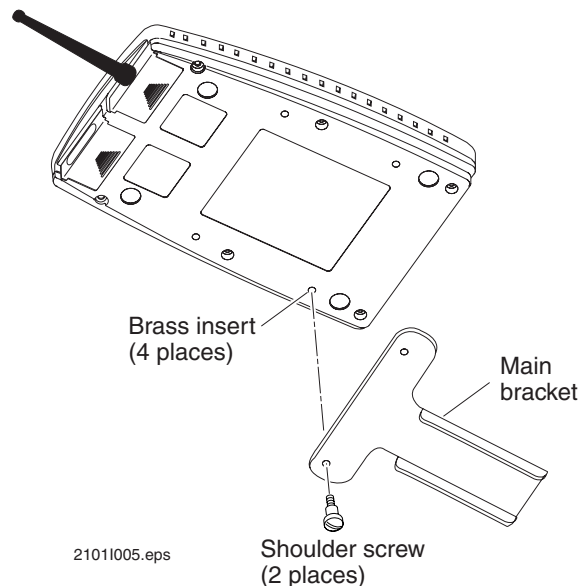
This instruction sheet explains how to secure the MobileLAN™access WA22 or the MobileLAN™access 2101 to a wall or ceiling using the locking bracket (P/N 070184). The locking bracket secures the access point to its mounting bracket so the access point cannot be accidentally dislodged. The locking bracket kit includes these parts:

- Main bracket
- Locking bracket
- Thumbscrew

A mounting bracket ships with the access point. This instruction sheet assumes you have already installed the mounting bracket on a wall or ceiling. For instructions on how to install the mounting bracket, see the quick start guide that shipped with your access point.

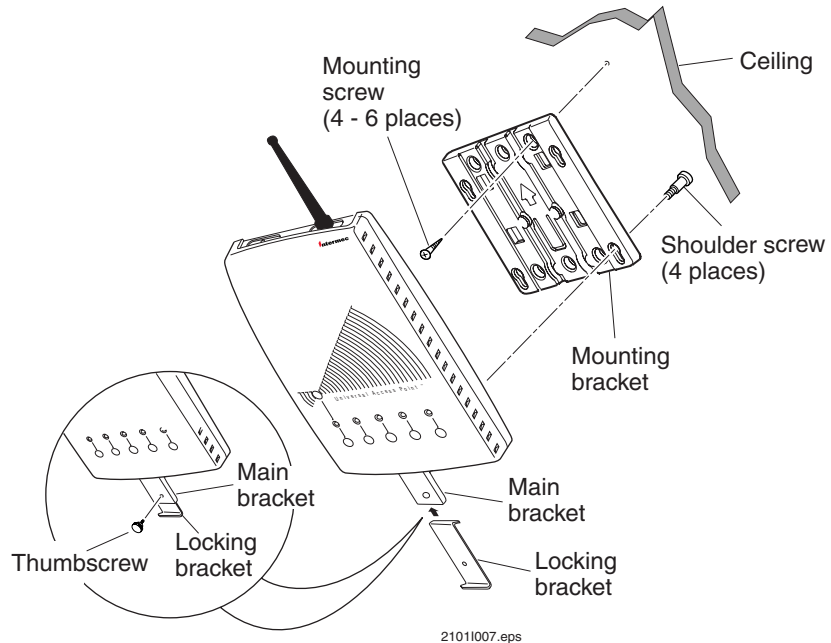
To install the locking bracket

- 1 If you have already inserted the shoulder screws into the brass inserts on the back of the access point, remove the two shoulder screws furthest from the antenna or antennas.
- 2 Align the holes in the main bracket with the brass inserts, as shown in the illustration.
- 3 Use the two shoulder screws to secure the main bracket to the access point.



- 4 Insert shoulder screws in the two remaining brass inserts, if none have been inserted.

- 5 Position the access point so the antenna points in the direction of the arrow on the mounting bracket.
- 6 Firmly seat the shoulder screws on the access point in the keyhole slots in the mounting bracket.



- 7 Slide the locking bracket along the main bracket until the holes in both brackets are aligned, and then insert and tighten the thumbscrew.



Technologies Corporation

6001 36th Avenue West

Everett, WA 98203

U.S.A.

www.intermec.com

© 2002 Intermec Technologies Corp.

All Rights Reserved

MobileLAN access WA22/2101 Locking Bracket Instruction Sheet



070198-002