

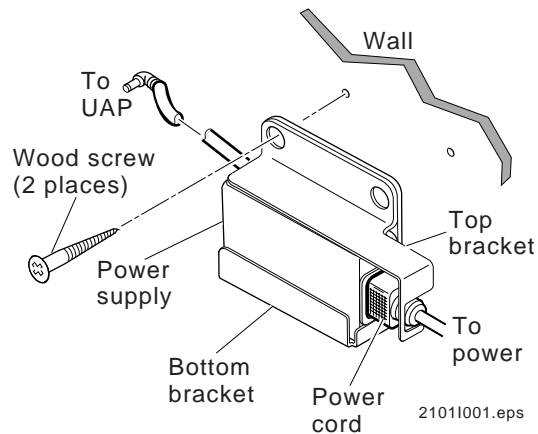
## 2101 Power Supply Holder Instruction Sheet

The 2101 Universal Access Point™ (UAP) ships with a power cord and power supply. This instruction sheet explains how to use the 2101 power supply holder kit accessory to secure the UAP power supply to the wall. The power supply holder kit (Part No. 069893) contains these parts:

- Bottom bracket
- Top bracket
- Wood screws (2)

### To use the power supply holder

1. Plug the power cord into the power supply and then plug the power supply into the UAP.
2. Place the power supply in the bottom bracket.
3. Position the top bracket on the power supply as shown in the illustration below.



4. Use the wood screws to secure the holder to the wall.
5. Plug the power cord into an AC power outlet.

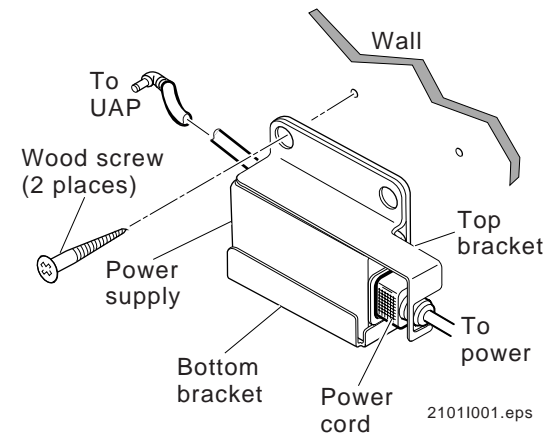
## 2101 Power Supply Holder Instruction Sheet

The 2101 Universal Access Point™ (UAP) ships with a power cord and power supply. This instruction sheet explains how to use the 2101 power supply holder kit accessory to secure the UAP power supply to the wall. The power supply holder kit (Part No. 069893) contains these parts:

- Bottom bracket
- Top bracket
- Wood screws (2)

### To use the power supply holder

1. Plug the power cord into the power supply and then plug the power supply into the UAP.
2. Place the power supply in the bottom bracket.
3. Position the top bracket on the power supply as shown in the illustration below.



4. Use the wood screws to secure the holder to the wall.
5. Plug the power cord into an AC power outlet.



6001 36th Avenue West  
P.O. Box 4280  
Everett, WA 98203-9280

© 1999 Intermec  
All Rights Reserved

*Part No. 070019-001*



6001 36th Avenue West  
P.O. Box 4280  
Everett, WA 98203-9280

© 1999 Intermec  
All Rights Reserved

*Part No. 070019-001*