

## MobileLAN access 2101



## CAUTION

**Conseil**  
Vous devez utiliser la source d'alimentation Intermec adéquate avec cet appareil sinon vous risquez d'endommager l'équipement.

**Caution**  
You must use the appropriate Intermec power supply with these devices or equipment damage may occur.

## Conseil

Les agences responsables de la réglementation gouvernementale exigent que l'antenne ne soit pas modifiable. Par conséquent, le point d'accès est doté d'un connecteur d'antenne personnalisé. Ne pas essayer d'utiliser une antenne différente au risque d'endommager le connecteur et le point d'accès.

## Caution

Government regulatory agencies mandate that the antenna not be alterable. Therefore, the access point uses a custom antenna connector. Do not attempt to use a different antenna or you may damage the connector and the access point.



## CAUTION

## Caution

Government regulatory agencies mandate that the antenna not be alterable. Therefore, the access point uses a custom antenna connector. Do not attempt to use a different antenna or you may damage the connector and the access point.

## Out of the Box

## About the 2101

Intermec's MobileLAN™ access family of access points delivers reliable and seamless wireless performance to almost any operational environment. The MobileLAN access 2101 is designed for standards-based connectivity and it may have up to two of the following radios installed:

- IEEE 802.11b
- WLL Forum OpenAir

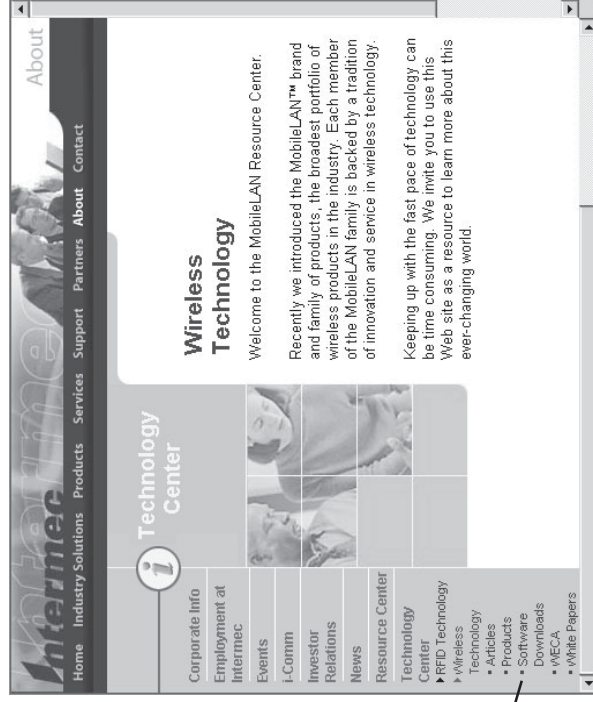


The 2101 with an IEEE 802.11b radio installed is Wi-Fi certified for interoperability with other 802.11b wireless LAN devices.

This quick start guide helps you to understand the 2101 ports and LEDs. You can also use this quick start guide to learn how to install the 2101, how to connect the 2101 to power and to your network, and how to use the MobileLAN access Utility to configure its IP address. Once you assign the 2101 an IP address, you can continue configuring it using a Web browser interface or a Telnet session.

## Software Updates

You should check the Intermec MobileLAN Web site at <http://mobilelan.intermec.com> for free software downloads and the latest documentation. To upgrade your access point software, follow the instructions in the *MobileLAN access System Manual*.



## Specifications

Physical dimensions	3.8 cm x 16.0 cm x 25.0 cm (1.49 in x 6.27 in x 9.84 in)
Weight	526 g (1.16 lb)
Electrical rating	~100 to 240 V 1.0A 50 to 60 Hz
Operating temperature	-20°C to 65°C (-4°F to 149°F)
Storage temperature	-30°C to 70°C (-22°F to 158°F)
Humidity	10 to 90%, non-condensing

For more information on using the MobileLAN access 2101, please see the

- *MobileLAN access System Manual* (Part No. 067150).
- Intermec Web site at [www.intermec.com](http://www.intermec.com).

To order access point accessories and antennas, contact your local Intermec representative.



6001 36th Avenue West  
Everett, WA 98203  
U.S.A.

[www.intermec.com](http://www.intermec.com)

© 2002 Intermec Technologies Corp.  
All Rights Reserved

MobileLAN access 2101 Quick Start Guide



\*069960-004\*

## Quick Start Guide

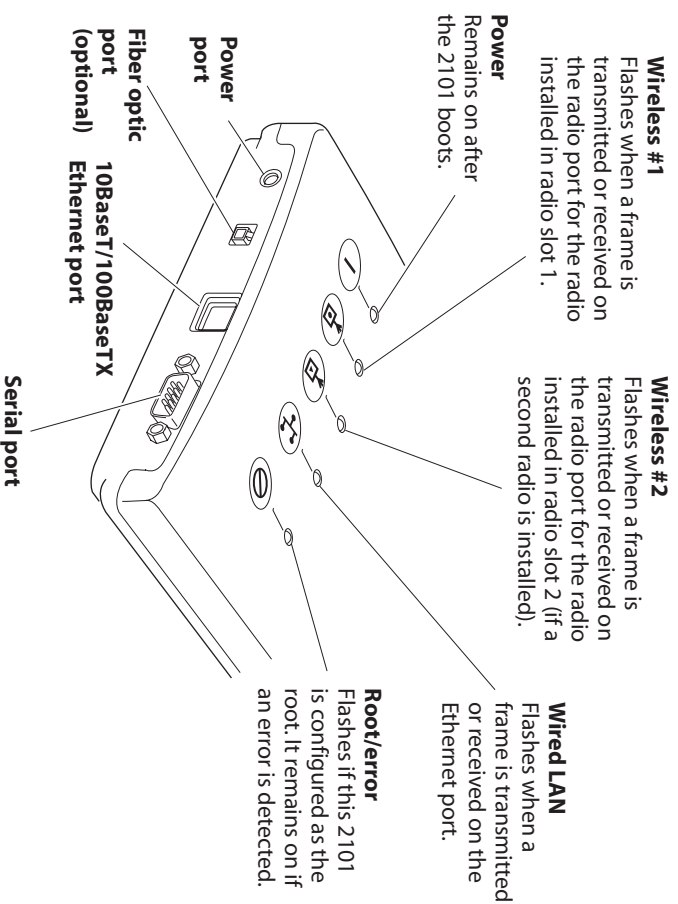


## Safety First



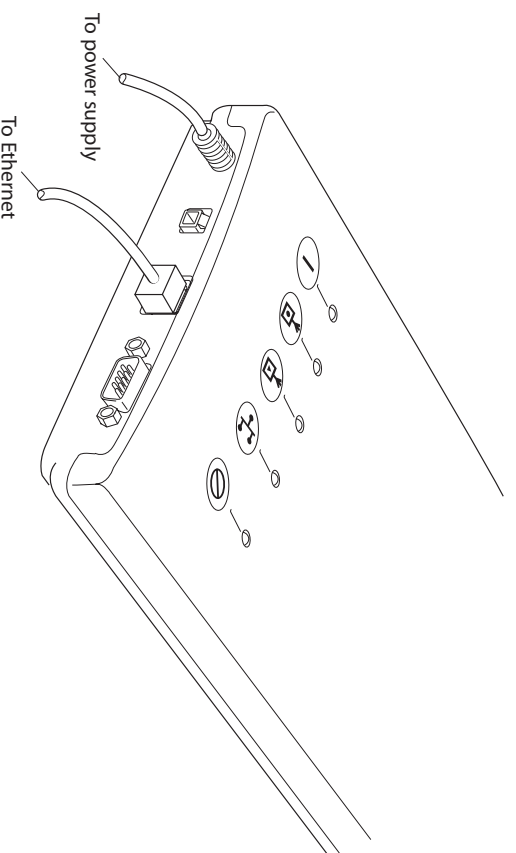
## MobileLAN™ access 2101

## 1 Defining the LEDs and Ports



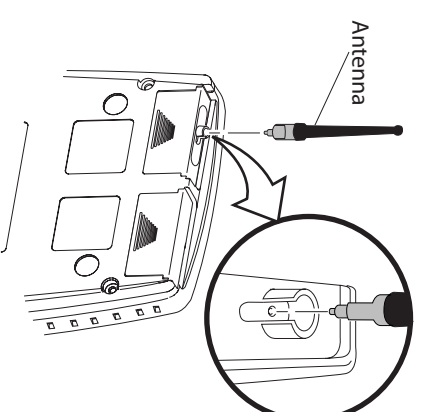
## 4 Connecting the 2101

- 1 Connect the 2101 to your network. You can either use an Ethernet cable to connect the Ethernet port to an Ethernet drop, or you can use the fiber optic port option. For help connecting the 2101 to your fiber optic network, see "Connecting to Your Fiber Optic Network" in the *MobilLeLAN access System Manual*.
- 2 Connect the 2101 to power. You can either use an AC power supply with the appropriate power cord or power over Ethernet. To use power over Ethernet, you use an Ethernet cable to connect the Ethernet port to a MobilLeLAN splitter, which is connected to a MobilLeLAN power bridge. For help, see the documentation that shipped with your splitter and/or power bridge.



## 2 Attaching an Antenna

- 1 Carefully align the antenna with the antenna connector on the radio card in the 2101.
  - 2 Gently insert the antenna into the antenna connector until you feel the antenna click into place.
- Note:** Internec offers a variety of antennas and antenna accessories. For a complete list, see the *MobilLeLAN access System Manual* (Part No. 067150) or contact your local Internec representative.



## 3 Mounting the 2101

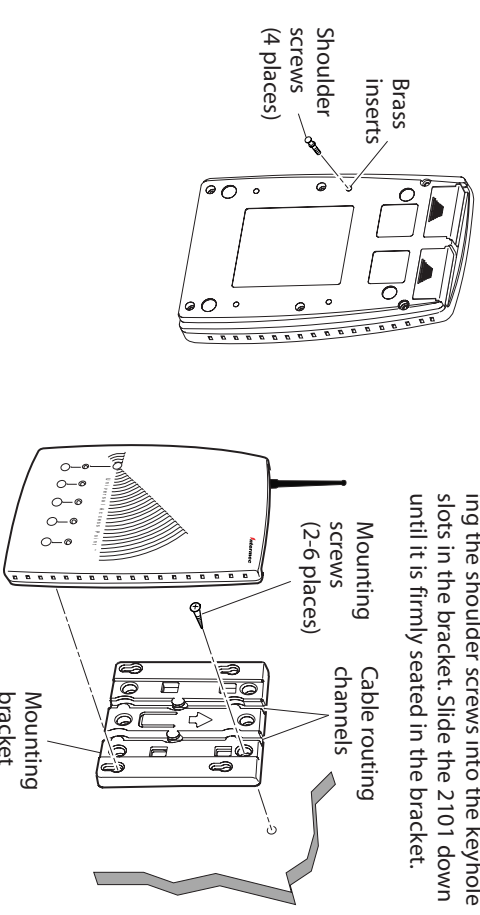
You can place the 2101 on a stable surface or you can mount it to a wall or beam using the wall bracket.



**Note:** Internec offers a variety of mounting bracket kits. For a complete list, see the *MobilLeLAN access System Manual*.

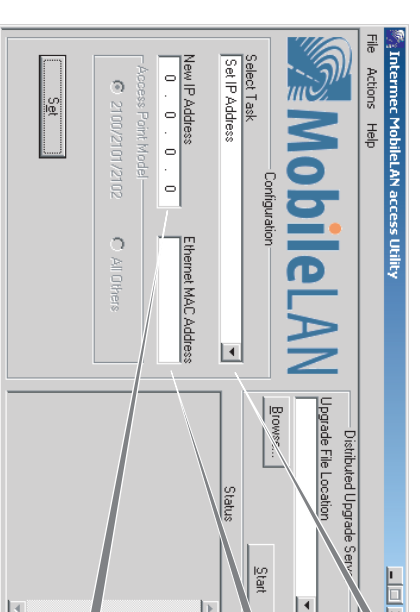
## Mounting the 2101 (continued)

- To use the wall bracket**
- 1 Insert one shoulder screw into each of the brass inserts and tighten securely.
  - 2 Using the mounting bracket as a template, mark the location of the mounting holes on the mounting surface.
  - 3 Drill the holes.
  - 4 Position the bracket on the wall with the arrow pointing up.
  - 5 Using mounting screws you provide, secure the bracket to the wall.
  - 6 Route the cables through the cable routing channels.
  - 7 Mount the 2101 in the bracket by inserting the shoulder screws into the keyhole slots in the bracket. Slide the 2101 down until it is firmly seated in the bracket.



## 5 Setting an Initial IP Address

- 1 Install the MobilLeLAN access Utility on your PC by inserting the enclosed CD, clicking Install Software, and following the instructions that appear on your screen. You can also download the software from <http://mobilelan.internec.com>.
- Note:** Your PC must be on the same Ethernet segment as the access point. Or, if your PC is communicating wirelessly with the access point, you must have an active radio connection.
- 2 Start the utility.
  - 3 Configure parameters A through C. See the screen to the right.
  - 4 Click Set.
  - 5 Reboot the access point by disconnecting it from and reconnecting it to a power source. The Status box lets you know when the new IP address is successfully set.



- A Click the down arrow and choose Set IP Address.
- B Enter the Ethernet MAC address of the access point (printed on a label on the access point).
- C Enter the new IP address of the access point.

### Congratulations!

Your wireless end devices can now begin transmitting data packets through the 2101 to your wired network. To continue configuring the access point, from the Actions menu choose Configure Access Point. Your Web browser application (for example, Internet Explorer) starts and the Access Point Login screen appears.