

Trakker Antares 241X Handle and Wrist Strap Instructions

You may need to periodically clean the small magnet inside the handle, especially in dusty environments. Grit between the small magnet (in the end of the lever inside the handle) and the 241X can cause the trigger to jam.

To maintain the handle

- 1 Unscrew the handle and remove it from the 241X.
- 2 Clean the surface of the 241X and magnet with a damp cloth.
- 3 Use adhesive tape to remove any metal shavings from the magnet surface.

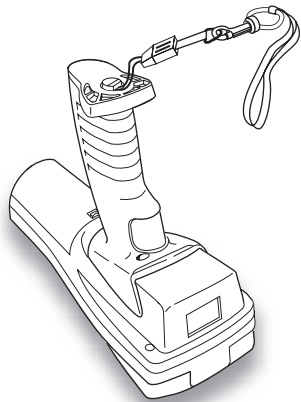
Trakker Antares 241X
Handle and Wrist Strap Instructions



P/N 069557-003

Intermec

Instructions



**Trakker Antares® 241X
Handle and Wrist Strap**

Trakker Antares 241X Handle and Wrist Strap Instructions

You may need to periodically clean the small magnet inside the handle, especially in dusty environments. Grit between the small magnet (in the end of the lever inside the handle) and the 241X can cause the trigger to jam.

To maintain the handle

- 1 Unscrew the handle and remove it from the 241X.
- 2 Clean the surface of the 241X and magnet with a damp cloth.
- 3 Use adhesive tape to remove any metal shavings from the magnet surface.

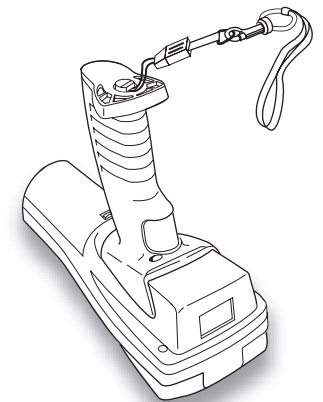
Trakker Antares 241X
Handle and Wrist Strap Instructions



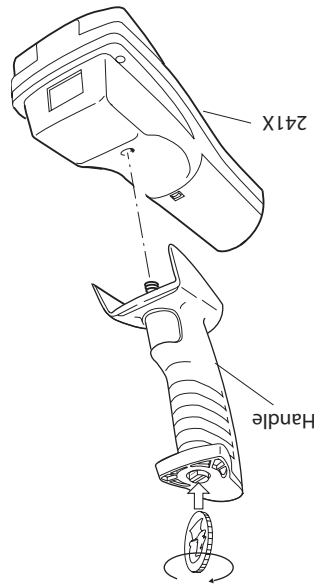
P/N 069557-003

Intermec

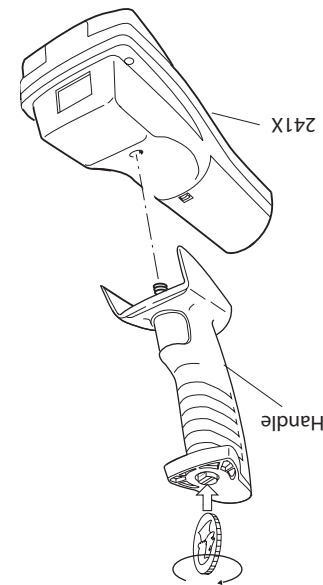
Instructions



**Trakker Antares® 241X
Handle and Wrist Strap**



- 1 Align the handle with the 241X as shown in the illustration.
 - 2 Use a straight-slot screwdriver or a quarter to tighten the screw to secure the handle to the 241X.
- If you are attaching the wrist strap, do not completely tighten the screw, and continue with the instructions "To attach the wrist strap."
- To install the handle**
- 241X handle with wrist strap accessory (P/N 073371). See the instructions "To install the handle" and "To attach the wrist strap."
 - Wrist strap accessory (P/N 071814). See the instructions "To attach the wrist strap."
- Use these instructions to learn how to install the following accessories:

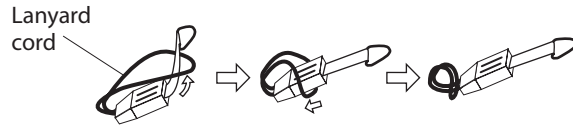


- 1 Align the handle with the 241X as shown in the illustration.
 - 2 Use a straight-slot screwdriver or a quarter to tighten the screw to secure the handle to the 241X.
- If you are attaching the wrist strap, do not completely tighten the screw, and continue with the instructions "To attach the wrist strap."
- To install the handle**
- 241X handle with wrist strap accessory (P/N 073371). See the instructions "To install the handle" and "To attach the wrist strap."
 - Wrist strap accessory (P/N 071814). See the instructions "To attach the wrist strap."
- Use these instructions to learn how to install the following accessories:

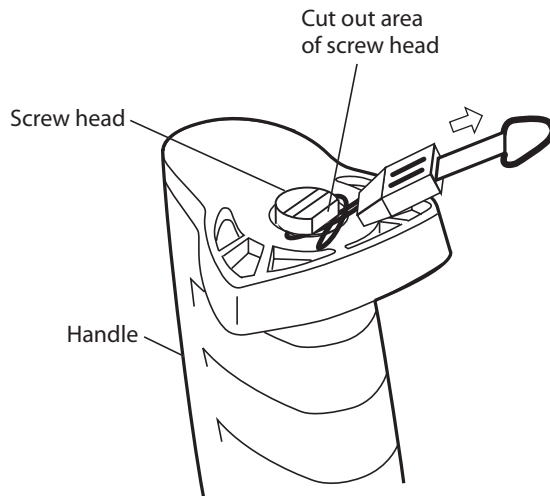
Trakker Antares 241X Handle and Wrist Strap Instructions

To attach the wrist strap

- 1 If necessary, loosen the screw on the handle.
- 2 Create a loop with the lanyard cord.



- 3 Slip the loop over the head of the screw, and pull the lanyard to secure the loop to the screw.



If the screw head for your handle has a cut out area, thread the lanyard cord through the cut out area of the screw head.

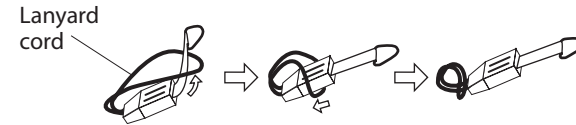
- 4 Using a straight-slot screwdriver or a quarter, tighten the screw so that the handle does not move on the 241X. Do not over tighten the screw.
- 5 Attach the wrist strap to the lanyard.

To learn how to maintain the handle, continue with the next instructions.

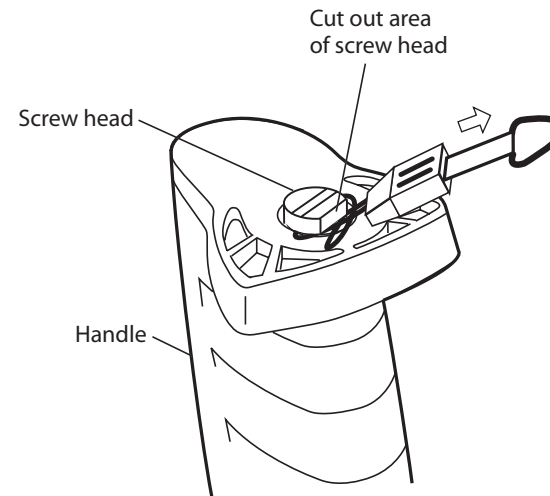
Trakker Antares 241X Handle and Wrist Strap Instructions

To attach the wrist strap

- 1 If necessary, loosen the screw on the handle.
- 2 Create a loop with the lanyard cord.



- 3 Slip the loop over the head of the screw, and pull the lanyard to secure the loop to the screw.



If the screw head for your handle has a cut out area, thread the lanyard cord through the cut out area of the screw head.

- 4 Using a straight-slot screwdriver or a quarter, tighten the screw so that the handle does not move on the 241X. Do not over tighten the screw.
- 5 Attach the wrist strap to the lanyard.

To learn how to maintain the handle, continue with the next instructions.