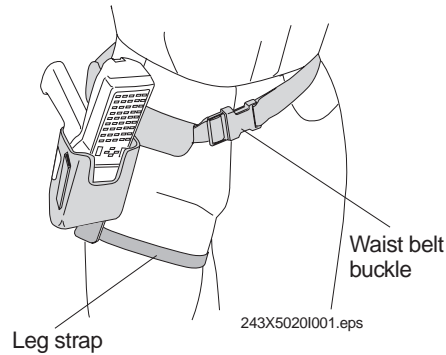


243X and 502X Holster Instructions

You can use the holster (Part No. 072366) to carry your Trakker Antares® 243X terminal or 502X Hand-Held Data Collection PC™ at your side.

The holster ships ready to be worn on either side. You can also use the three mounting loops to configure the holster to accommodate a 243X or 502X with a handle.

These instructions describe how to configure the holster to accommodate a 243X or 502X with a handle and how to put on the holster. Before using the holster, please read these instructions thoroughly and retain them for future reference.

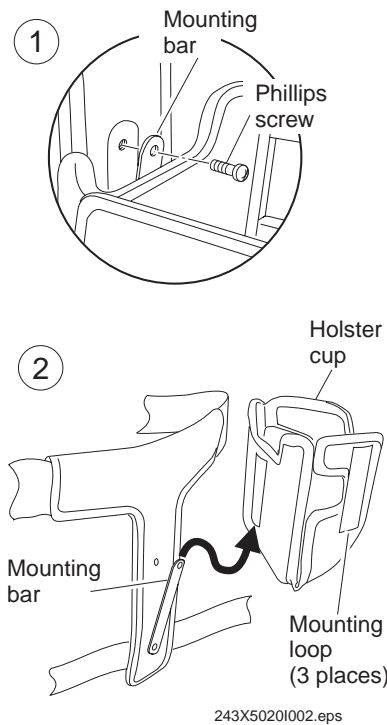


To configure the holster for a 243X or 502X with a handle

1. Remove the Phillips screw from the top of the mounting bar.
2. Slide the holster cup up and off of the mounting bar.
3. Insert the mounting bar into a different mounting loop on the holster cup.

Use the loop to the right of the original loop to wear the holster on the right, and use the loop to the left of the original loop to wear the holster on the left.

4. Replace the screw in the top of the mounting bar and tighten.
5. Slide the mounting assembly to the appropriate side of the waist belt.



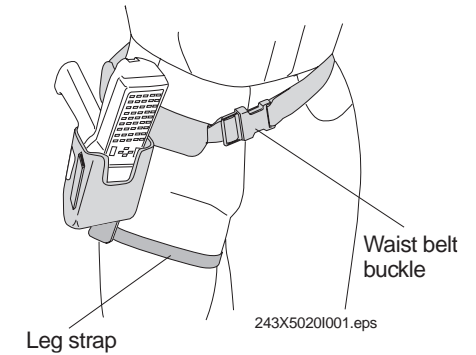
To learn how to put on the holster, continue with the next procedure.

243X and 502X Holster Instructions

You can use the holster (Part No. 072366) to carry your Trakker Antares® 243X terminal or 502X Hand-Held Data Collection PC™ at your side.

The holster ships ready to be worn on either side. You can also use the three mounting loops to configure the holster to accommodate a 243X or 502X with a handle.

These instructions describe how to configure the holster to accommodate a 243X or 502X with a handle and how to put on the holster. Before using the holster, please read these instructions thoroughly and retain them for future reference.

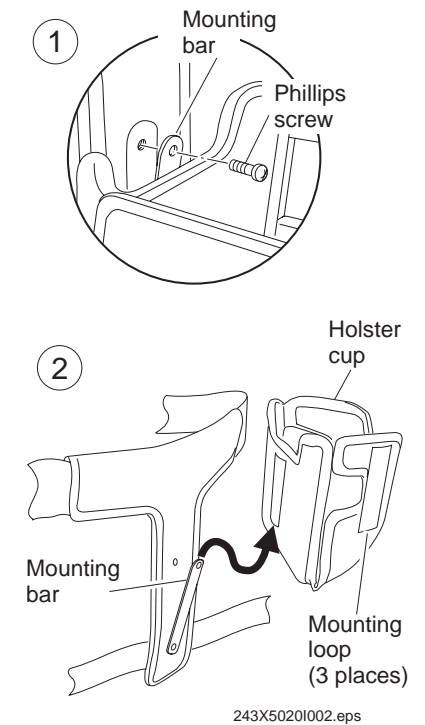


To configure the holster for a 243X or 502X with a handle

1. Remove the Phillips screw from the top of the mounting bar.
2. Slide the holster cup up and off of the mounting bar.
3. Insert the mounting bar into a different mounting loop on the holster cup.

Use the loop to the right of the original loop to wear the holster on the right, and use the loop to the left of the original loop to wear the holster on the left.

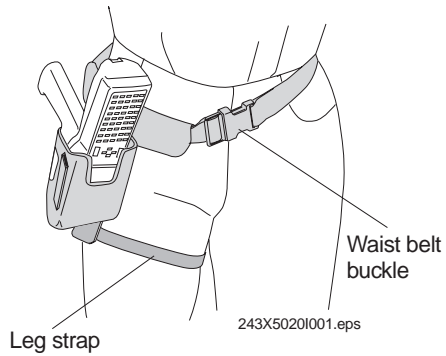
4. Replace the screw in the top of the mounting bar and tighten.
5. Slide the mounting assembly to the appropriate side of the waist belt.



To learn how to put on the holster, continue with the next procedure.

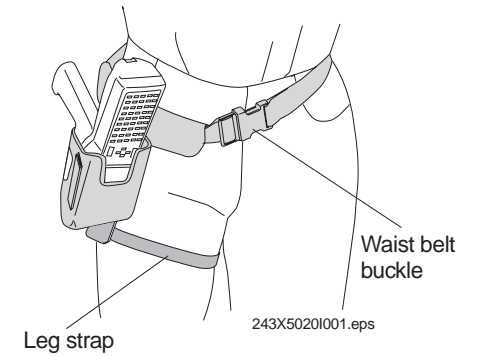
To put on the holster

1. With the holster on the outside of your thigh, buckle the waist belt around your waist.
2. Adjust the waist belt so it is snug and comfortable for you.
3. Buckle the leg strap around your thigh.
4. Adjust the leg strap so it is snug and comfortable for you.



To put on the holster

1. With the holster on the outside of your thigh, buckle the waist belt around your waist.
2. Adjust the waist belt so it is snug and comfortable for you.
3. Buckle the leg strap around your thigh.
4. Adjust the leg strap so it is snug and comfortable for you.



Technologies Corporation
6001 36th Avenue West
Everett, WA 98203
U.S.A.

www.intermec.com

© 2002 Intermec Technologies Corp.
All Rights Reserved

243X and 502X Holster Instructions



068981-002



Technologies Corporation
6001 36th Avenue West
Everett, WA 98203
U.S.A.

www.intermec.com

© 2002 Intermec Technologies Corp.
All Rights Reserved

243X and 502X Holster Instructions



068981-002