

# L5020 Serial Communications Adapter



## Instructions



## Safety First

### Caution

Do not operate the L5020 Serial Communications Adapter outdoors or in severe environments. Operating the serial communications adapter under these conditions could result in data loss or damage to the equipment.

### Conseil

N'utilisez pas l'L5020 adaptateur de communication série à l'extérieur ou dans des environnements extrêmes. L'utilisation de l'adaptateur de communication série dans de telles conditions risque d'entraîner la perte de données ou l'endommagement de l'équipement.

**Intermec**  
Corporate Headquarters  
6001 36th Avenue West  
Everett, Washington 98203  
tel 425.348.2600  
fax 425.355.9551  
www.intermec.com

L5020 Serial Communications Adapter Instructions



\*0698978-003\*


## More Information

You may need additional information when working with the L5020 in a data collection system. Please visit our Web site at [www.intermec.com](http://www.intermec.com) to download many of our current manuals in PDF format. To order printed versions of the Intermec manuals, contact your local Intermec representative or distributor.

## About the L5020

The L5020 Serial Communications Adapter is an accessory for the 5020 and 5023 (502X) Data Collection PC™. It converts Infrared Data Association (IrDA) data to a wired RS-232 data stream. When you install the adapter on a 502X, you can connect the 502X to a host computer or other device through the serial port. You can also connect an Intermec power supply (Part No. 065236) to the adapter to charge the 502X battery pack.

You need an Intermec null-modem cable (Part No. 070268, sold separately) to connect the adapter to your RS-232 device.

 **Note:** The AC power cord for the power supply is ordered separately. Be sure you have the correct power cord for your location. For help, contact your Intermec sales representative.

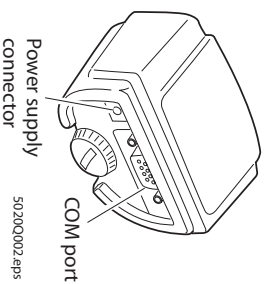
## 1 Parts and Functions

### COM port


You connect an Intermec null-modem cable (Part No. 070268) to the COM port. Connect the other end of the cable to your RS-232 device.

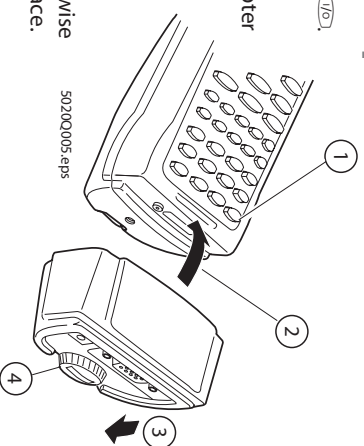
### Power supply connector

You attach the 12V power supply (Part No. 065236) to this connector to power the 502X and charge the 502X battery pack.



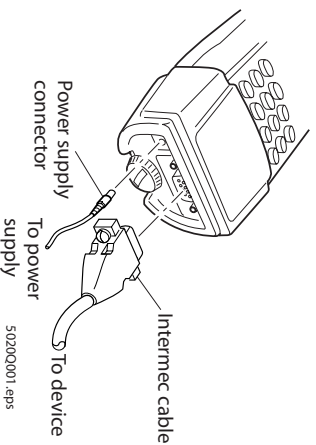
## 2 Installing the Adapter

- 1 Turn off the 502X by pressing .
- 2 Hook the upper edge of the serial communications adapter onto the notch on the end of the 502X.
- 3 Push down on the adapter until it snaps in place.
- 4 Turn the thumbscrew clockwise to tighten the adapter in place.



## 3 Connecting Cables

- 1 Connect the Intermec null-modem cable to the COM port on the serial communications adapter and tighten the mounting screws.
- 2 Connect the other end of the cable to your RS-232 device (for example, a serial port on your desktop PC).
- 3 (Optional) Connect the power supply to the power supply connector and plug the power supply into an AC power source.



## 4 Charging the Battery Pack

The 502X battery pack charges whenever a power supply is connected to the serial communications adapter. The 502X battery is completely charged within 12-14 hours.



**Note:** When the power supply is not connected, the adapter uses power from the 502X main battery pack.

- For more information on charging the 502X main battery pack, see
- The *5020 Data Collection PC User's Manual* (Part No. 068975).
- The *5023 Data Collection PC User's Manual* (Part No. 070698).