

D5020 Communications Dock



Corporate Headquarters
6001 36th Avenue West
Everett, Washington 98203
tel 425.348.2600
fax 425.355.9551
www.intermec.com

D5020 Communications Dock Instructions



068976-003

Intermec Technologies Corporation
6001 36th Avenue West
Everett, WA 98203

U.S. service and technical support: 1-800-755-5505

U.S. media supplies ordering information: 1-800-227-9947

Canadian service and technical support: 1-800-668-7043

Canadian media supplies ordering information: 1-800-268-6936

Outside U.S.A. and Canada: Contact your local Intermec service supplier.

The information contained herein is proprietary and is provided solely for the purpose of allowing customers to operate and/or service Intermec manufactured equipment and is not to be released, reproduced, or used for any other purpose without written permission of Intermec.

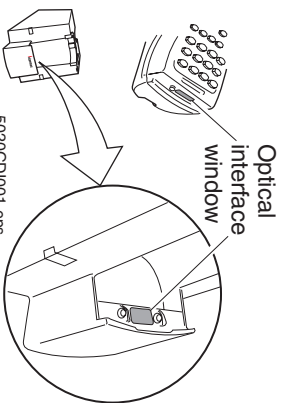
Information and specifications in this manual are subject to change without notice.

© 2002 by Intermec Technologies Corporation
All Rights Reserved

The word Intermec, the Intermec logo, Data Collection PC, INCA (under license), MobilLAN, JANUS, IRL, Traker Antares, EZBuilder, TE 2000, Data Collection Browser, dcBrowser, Universal Access Point, UAP, Duratherm, EasyCoder, Precision Print, PrintSet, Virtual Wedge, and CrossBar are either trademarks or registered trademarks of Intermec.

Throughout this manual, trademarked names may be used. Rather than put a trademark (™ or ®) symbol in every occurrence of a trademarked name, we state that we are using the names only in an editorial fashion, and to the benefit of the trademark owner, with no intention of infringement.

- Inspect the contacts on the dock and the 502X for proper alignment.
- Clean the optical interface windows on both the 502X and the dock.



- Clean the contacts on the dock and the 502X using a cotton swab and isopropyl alcohol.

Physical and Environmental Specifications

- Electrical requirements:** 85 to 264 VAC
43 to 63 Hz
- Serial interface:** 9-pin RS-232 null-modem cable
(Part No. 070268)
- Optical interface:** 1 IR receiver, 1 IR transmitter
- Interface speeds:** up to 115200 baud
- Operating environment:**
- Charging temperature:** 0°C to 40°C (32°F to 104°F)
- Operating temperature:** -20°C to 50°C (-4°F to 122°F)
- Humidity:** 0 to 95%, non-condensing
- Storage environment:**
- Temperature:** -20°C to 70°C (-4°F to 158°F)
- Humidity:** 0 to 95%, non-condensing

Warning

To prevent fire or electric shock, do not expose the D5020 to rain or moisture.



Avertissement

Pour éviter des risques d'incendie ou de choc électrique, ne pas exposer le D5020 à la pluie ou à l'humidité.

Learning About the D5020

The D5020 Communications Dock is an accessory for the Intermeec 5020 or 5023 (502X) Data Collection PC™. Use the communications dock to

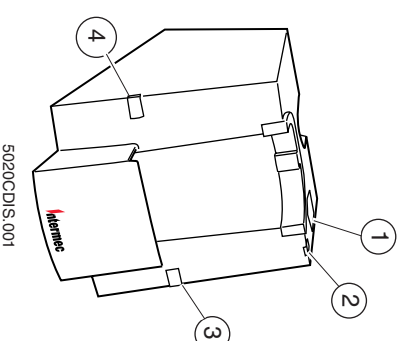
- transfer data and applications to and from another device using IrDA or RS-232 serial communications.
- charge the 502X batteries.

There are two models of the D5020 dock:

- D5020 IrDA communications dock
- D5020 RS-232 communications dock

Communications Dock Parts and Functions

Use this illustration to locate the important parts of the D5020 dock:



- 1 **Fast charge battery slot** Charges a battery pack in under 3 hours.
- 2 **Battery status light** Indicates the charging status of the battery pack in the fast charge battery slot.
- 3 **Power status light** Indicates the power and connection status.
- 4 **Communications status light** Indicates data transfer between the 502X and the host.

For information on what the status lights indicate, see “Understanding the Status Lights” later in this guide.

Power Cords, Cables, and Accessories

You need the following equipment to use the D5020 dock:

- AC power cord (see the next section)
- IR transceiver for the D5020 IrDA communications dock
- Or, Intermec null-modem cable (Part No. 070268) for the D5020 RS-232 communications dock
- (Optional) D5020 Ganging Jumper Kit (Part No. 069600) to connect multiple docks

Each of these accessories is ordered and purchased separately. For help, contact your Intermec sales representative.

Ordering Power Cords

The AC power cord is ordered separately. If you are using the D5020 Ganging Jumper Kit (Part No. 069600), order one power cord for every five docks. Otherwise, order one power cord for every dock.

Country	Part Number
Chile and Italy	586282
South Pacific	586281
Denmark and Greenland	586283
Europe	586267
Liechtenstein and Switzerland	586276
North America and Central America	586105
United Kingdom	586266

Connecting Multiple Docks

The D5020 Ganging Jumper Kit (Part No. 069600) is ordered separately.

The kit contains four ganging jumpers, four clips, and an instruction sheet. The ganging jumper links the power between multiple docks and the clip connects the docks together. You use the ganging jumper and clips to power up to five docks with one power cord.

Charging the 502X Batteries

You can use the dock to charge the 502X main battery pack. You can charge the battery pack while it is inside the 502X or you can charge an extra main battery pack in the fast charge battery slot. You should always have a charged main battery pack in the 502X to prevent the loss of data.

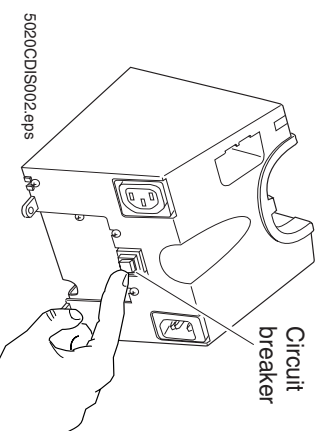
Method of Charging Battery Pack	Time to Fully Charge
Inside the 502X	≤ 15 hours
In the fast charge battery slot	≤ 4 hours

Use only Intermec battery pack Part No. 068537 in the fast charge battery slot. For help on charging the bridge battery, see the *5020 Data Collection PC User's Manual* (Part No. 068975) or the *5023 Data Collection PC User's Manual* (Part No. 070698).

Troubleshooting

If you are unable to establish a good connection with the 502X and the green Power status light is not lit, you may need to:

- Set the same serial or IrDA port parameters for the 502X and the serial or IrDA device.
- Be sure you have the correct Intermec cable (Part No. 070268) for the serial communications dock.
- Ensure that the electrical outlet has power.
- Insert the 502X firmly in the dock.
- Connect the dock to AC power.
- Verify that the circuit breaker on the back of the dock is pushed in.



Inserting the 502X into the Dock

After you have connected power and communications cables, you are ready to insert the 502X into the dock and start using it. You can insert a 502X with a handstrap attached.



Note: You must have a battery pack installed in the 502X for all operations.

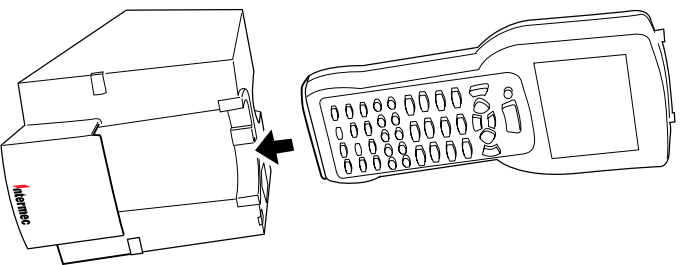
To use the communications dock

1. Place the 502X on the cradle surface of the dock and slide it into the dock.

If the Power status light is green, the 502X has a good connection to the dock.

2. Press **(T/O)** to turn on the 502X.
3. Start your application on the 502X or on the desktop computer.

If the Communications status light is flashing green, data is being transmitted and received.



5020C0DIS.003

Understanding the Status Lights

The D5020 has three status lights to indicate the current status. For help finding each status light, see “Communications Dock Parts and Functions” earlier in this guide.

Status Light	State	Indicates
Communications	Flashing green	Data is being transferred.
Battery	Flashing green	Battery pack is charging.
	Green	Battery pack is charged.
Power	Flashing red	Battery pack is bad.
	Amber	Power is connected.
	Green	Good connection with the 502X.

Setting Up the Communications Dock

Before setting up the communications dock, you need to choose a flat, stable, and clean surface that is within 1.5 m (5 ft) of an electrical source.

Setting up the dock involves these tasks:

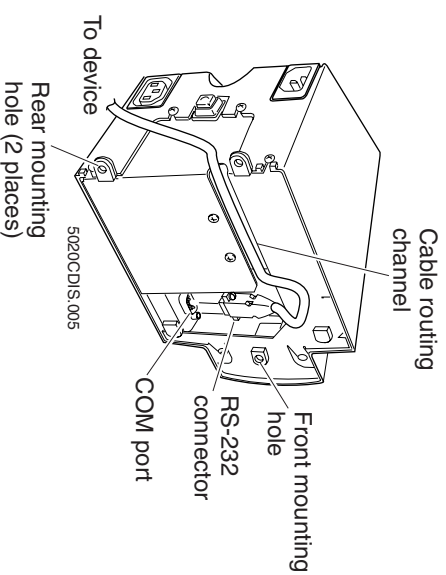
- Setting up the dock for communications (RS-232 or IrDA).
- Inserting the 502X into the dock.

Setting Up the RS-232 Communications Dock

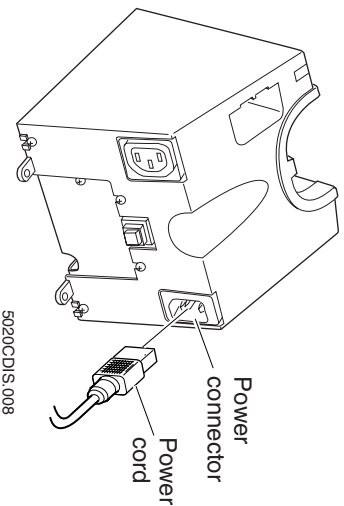
You need to use an Intermec null-modem cable (Part No. 070268, sold separately) for RS-232 communications.

To set up the dock for RS-232 communications

1. Insert the 9-pin RS-232 connector into the COM port on the underside of the dock. Route the cable under the dock and out the back.
2. Connect the other end of the cable to a serial device.



3. Connect the power cord to the power connector on the back side of the dock. Connect the other end of the power cord to an AC outlet.



4. You can secure the dock to a flat surface using the two rear mounting holes and two #8 pan head screws (not provided). Do not overtighten.

You can also secure the front of the dock for extra stability. Insert a #8-32 pan head screw (not provided) through the mounting surface and into the front mounting hole on the underside of the dock. Make sure the screw does not extend into the dock more than 1.27 cm (0.5 in) into the dock. Do not overtighten.

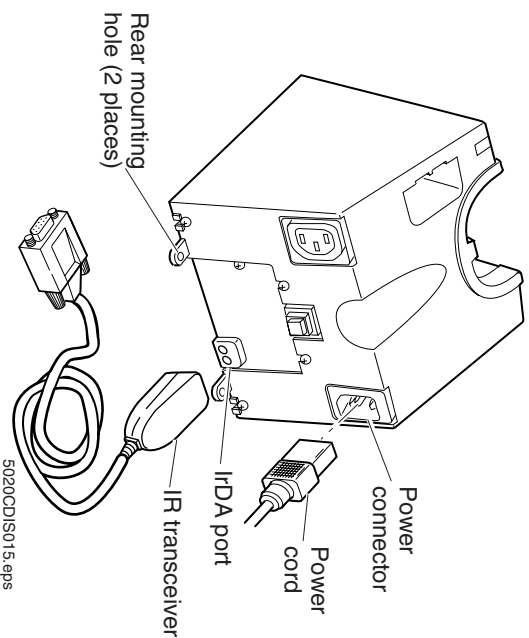
Setting Up the IrDA Communications Dock


The IrDA dock does not ship with an IR transceiver. You need to purchase at least one IR transceiver for IrDA communications.

To set up the dock for IrDA communications

1. Connect the power cord to the power connector on the back side of the dock. Connect the other end of the power cord to an AC outlet.
2. Connect the IR transceiver to your host computer or device.
3. Position the IR transceiver 7.6 to 10.2 cm (3 to 4 in) from the IrDA port on the back of the dock.

Setting Up the IrDA Communications Dock



4.  **Note:** If you use the D5020 Ganging Jumper Kit (Part No. 069600) to connect several IrDA docks together, you need to position the IrDA transceiver behind the dock with which you want to communicate.

4. You can secure the dock to a flat surface using the two rear mounting holes and two #8 pan head screws (not provided). Do not overtighten.

You can also secure the front of the dock for extra stability. Insert a #8-32 pan head screw (not provided) through the mounting surface and into the front mounting hole on the underside of the dock. Make sure the screw does not extend into the dock more than 1.27 cm (0.5 in) into the dock. Do not overtighten.