

TRAKKER Antares[®] 2455 Keyboard



A **UNOVA** Company

Intermec Technologies Corporation
6001 36th Avenue West
P.O. Box 4280
Everett, WA 98203-9280

U.S. service and technical support: 1-800-755-5505
U.S. media supplies ordering information: 1-800-227-9947

Canadian service and technical support: 1-800-688-7043
Canadian media supplies ordering information: 1-800-268-6936

Outside U.S. and Canada: Contact your local Intermec service supplier.

The information contained herein is proprietary and is provided solely for the purpose of allowing customers to operate and/or service Intermec manufactured equipment and is not to be released, reproduced, or used for any other purpose without written permission of Intermec.

Information and specifications in this manual are subject to change without notice.

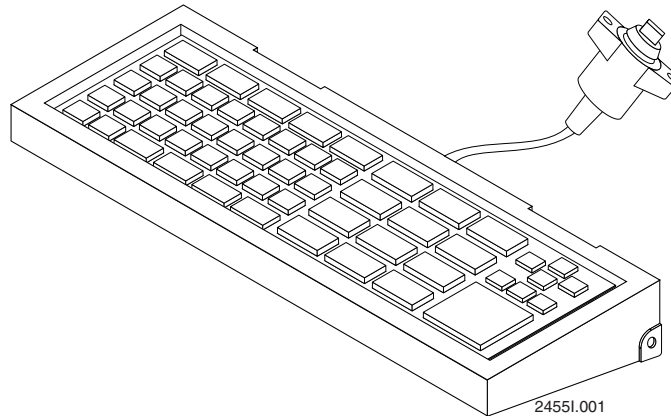
© 1999 by Intermec Technologies Corporation
All Rights Reserved

The word Intermec, the Intermec logo, TRAKKER, and Antares are either trademarks or registered trademarks of Intermec Technologies Corporation.

Throughout this manual, trademarked names may be used. Rather than put a trademark (TM or ®) symbol in every occurrence of a trademarked name, we state that we are using the names only in an editorial fashion, and to the benefit of the trademark owner, with no intention of infringement.

TRAKKER Antares 2455 Keyboard Installation Guide

This installation guide explains how to install your TRAKKER Antares® 2455 (T2455) keyboard.



The T2455 keyboard assembly kit includes the following:

- Keyboard
- #8 straight-slot screws, ½-inch (12.7 mm) long (4)
- #8 straight-slot screws, ¼-inch (6.35 mm) long (4)
- #8 Phillips screws, .375-inch (9.52 mm) long, with cone washers (4)
- Hinges (2)
- Keyboard mounting brackets (2)
- Delrin washers, .04 inches (1 mm) thick (4)
- Stainless steel washers, .125 inches (3.18 mm) thick (2)
- Adjustment knobs (2)

Preparing to Install the T2455 Keyboard

You need the following tools and materials to install your T2455 keyboard:

- Cotton swabs
- Isopropyl alcohol
- Straight-slot screwdriver
- #1 Phillips screwdriver

Installing the Keyboard Overlay

Your terminal shipped with a keyboard overlay. You can install the overlay on your keyboard.

To install the keyboard overlay

1. Clean the keyboard surface using a cotton swab moistened with isopropyl alcohol. Allow the surface to dry.
2. Remove the backing from the overlay and carefully position the overlay on the keyboard.
3. Use a dry cotton swab to firmly rub the overlay down between the keys and around the edges of the keyboard.

Mounting the Keyboard

You can mount the keyboard directly to the T2455 terminal, or you can mount it to a remote location, such as the dashboard of your vehicle.

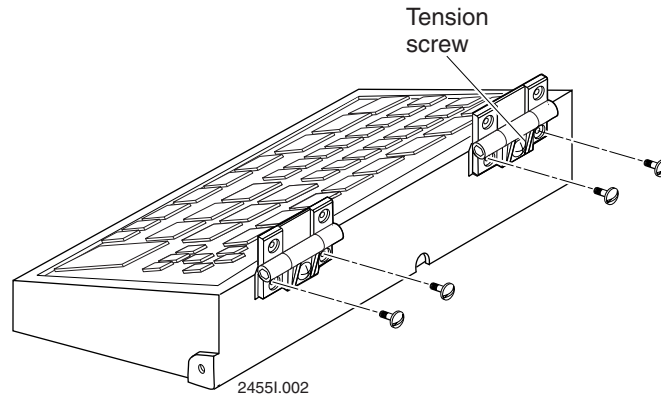
Mounting the Keyboard to the Terminal

You can mount your keyboard to the terminal using the hardware provided. If the terminal is already installed on the terminal mounting bracket, you need to remove the terminal from the bracket to install the keyboard. See the *TRAKKER Antares 2455 Vehicle-Mount Terminal Getting Started Guide* (Part No. 067359) for more information.

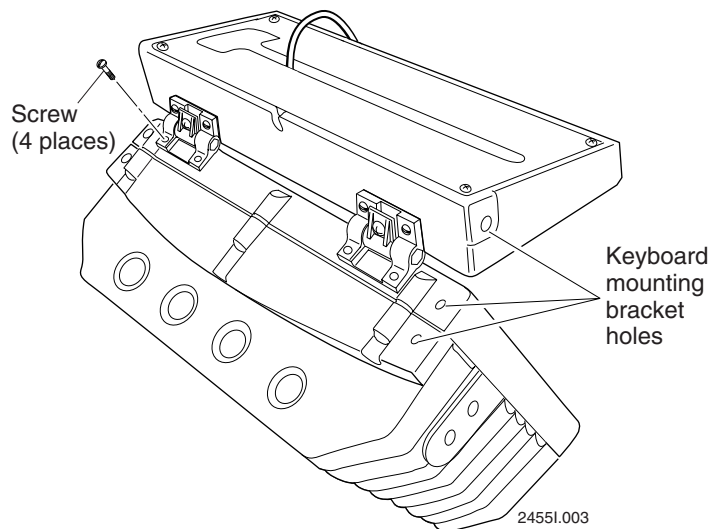
To mount the keyboard to the terminal

1. Position the keyboard so that you can easily access the threaded mounting holes in the top of the keyboard.
2. Position one hinge so that the side of the hinge that has the tension screw is flush against the keyboard, and align the holes in the hinge with the mounting holes in the keyboard.
3. Secure the hinge to the keyboard using two of the ½-inch (12.7 mm) long #8 straight-slot screws and the straight-slot screwdriver.

Attaching the Hinges to the Keyboard



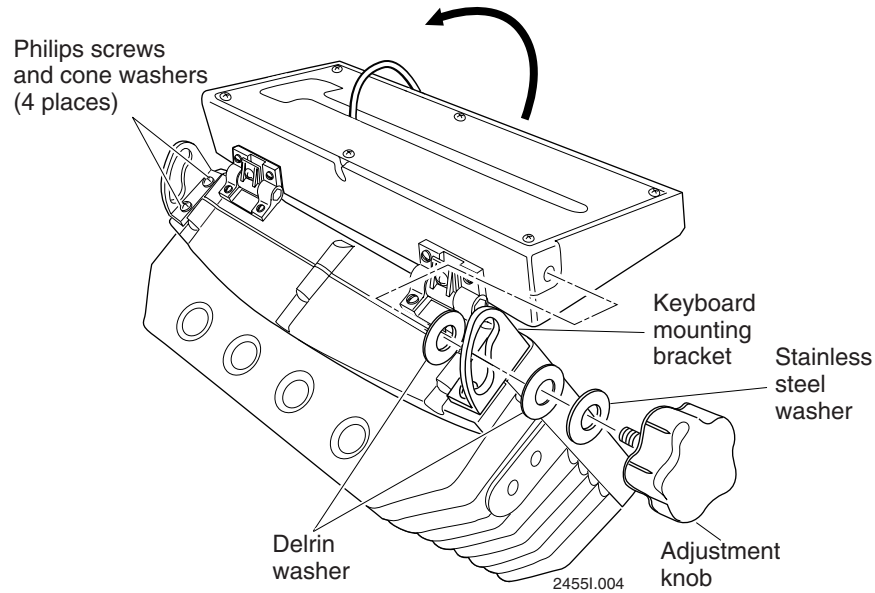
4. Repeat Steps 2 and 3 for the other hinge.
5. Position the T2455 so the four mounting holes in the bottom of the terminal are facing up.
6. Align the mounting holes in the bottom of the terminal with the remaining holes in the hinges. Secure each hinge to the terminal using the ¼-inch (6.35 mm) long #8 straight-slot screws.



7. Use the Phillips screwdriver to tighten the tension screw in each hinge so that keyboard motion is slightly resisted. Do not over-tighten. The tension screw helps to hold the keyboard in place when you loosen the adjustment knobs.
8. Rotate the keyboard out of the way so that you can access the keyboard mounting bracket holes in the terminal.

T2455 Keyboard Installation Guide

9. Position one keyboard mounting bracket against the terminal as shown in the following illustration. Loosely secure the bracket to the terminal using the #8 Phillips screws with cone washers and the Phillips screwdriver. Slide the bracket to the outermost position.



10. Rotate the keyboard into position next to the bracket. Insert one delrin washer between the mounting bracket and the keyboard. Slide the bracket in until it touches the washer.
11. Carefully rotate the keyboard out of the way and remove the delrin washer, while maintaining the position of the bracket. Secure the bracket into place by tightening the #8 Phillips screws with cone washers.
12. Repeat Steps 9 through 11 for the other bracket.
13. Place one stainless steel washer and one delrin washer, in that order, on each adjustment knob.
14. Reinsert one delrin washer between the mounting bracket and the keyboard.
15. Insert one adjustment knob with washers through the mounting bracket and delrin washer, and into the keyboard.
16. Repeat steps 14 and 15 for the other adjustment knob.
17. Position the keyboard to the desired angle and tighten the adjustment knobs.
18. Follow the instructions in “Connecting the Keyboard Cable to the Terminal” later in this installation guide to complete your keyboard installation.



Mounting the Keyboard to a Remote Location

You can mount the keyboard to a remote location, rather than to the terminal. For instance, you can mount the keyboard to the dashboard of your vehicle. To create your own mounting surface, see “Specifications” later in this installation guide for the keyboard dimensions.

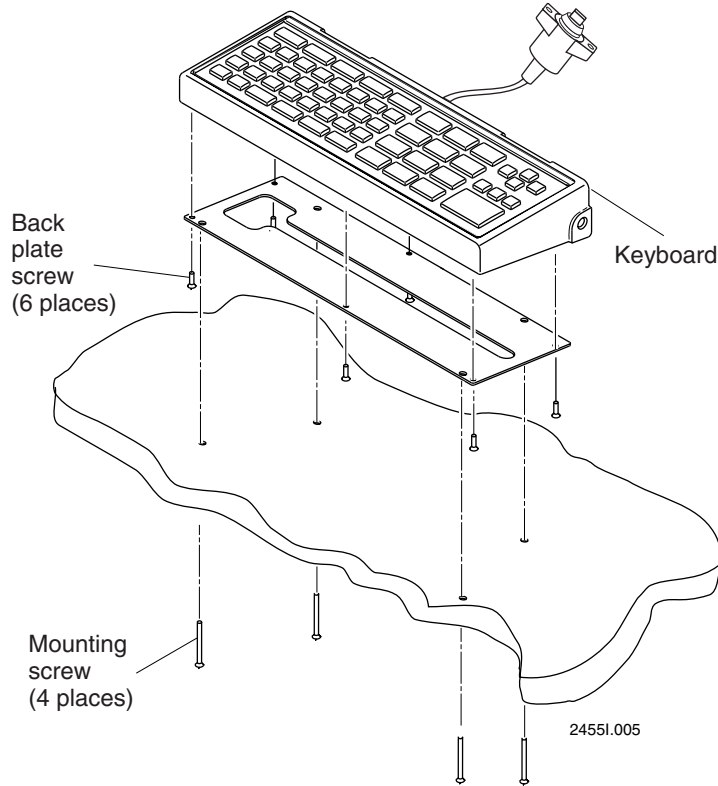
To mount the keyboard to a remote location, you need to provide:

- Mounting hardware, including four #8 screws. The screws must be long enough to go through the mounting surface and engage in the four threaded mounting holes in the back of the keyboard. The holes in the keyboard are .375-inch (9.52 mm) deep.
- Electric drill and drill bit.

To mount the keyboard to a remote location

1. Determine the mounting locations for the terminal and the keyboard. Mount the terminal as instructed in the *TRAKKER Antares 2455 Vehicle-Mount Terminal Getting Started Guide* (Part No. 067359).
2. Use a #1 Phillips screwdriver to remove the six screws that secure the back plate to the keyboard. Save the screws.
3. You can use the back plate as a template to mark and drill four holes in the mounting surface.
4. Route the keyboard cable to the terminal. Tie off the cable at least every 18 inches (45 cm). Store excess cable in the back of the keyboard.
5. Route the cable through the cable hole in the top of the keyboard housing, and then reinstall the back plate using the six screws removed in Step 2.
6. Mount the keyboard using your #8 screws and the threaded mounting holes in the back plate of the keyboard.
7. Connect the keyboard cable to the terminal. For help, see “Connecting the Keyboard Cable to the Terminal” later in this installation guide.

Mounting the Keyboard to a Remote Location



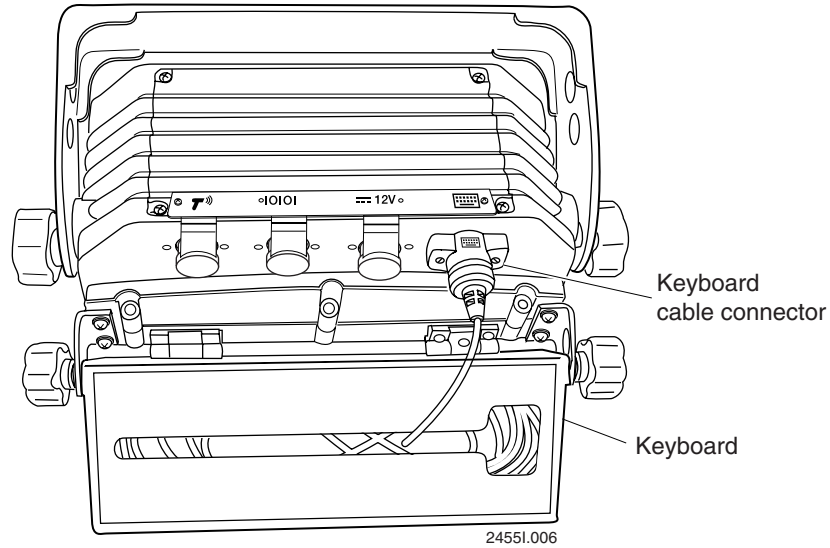
Connecting the Keyboard Cable to the Terminal

Now that you have installed your keyboard, you need to connect it to the terminal.

1. Remove the rubber plug from the Keyboard port on the terminal.
2. Push the keyboard cable connector straight into the Keyboard port. The icon on the keyboard cable connector should align with the same icon on the back of the T2455.

***Note:** Firmly push the keyboard cable connector straight into the Keyboard port. Do not wiggle or twist the keyboard cable connector to seat the connector in the port—you may damage the connector.*

Connecting the Keyboard Cable to the Terminal

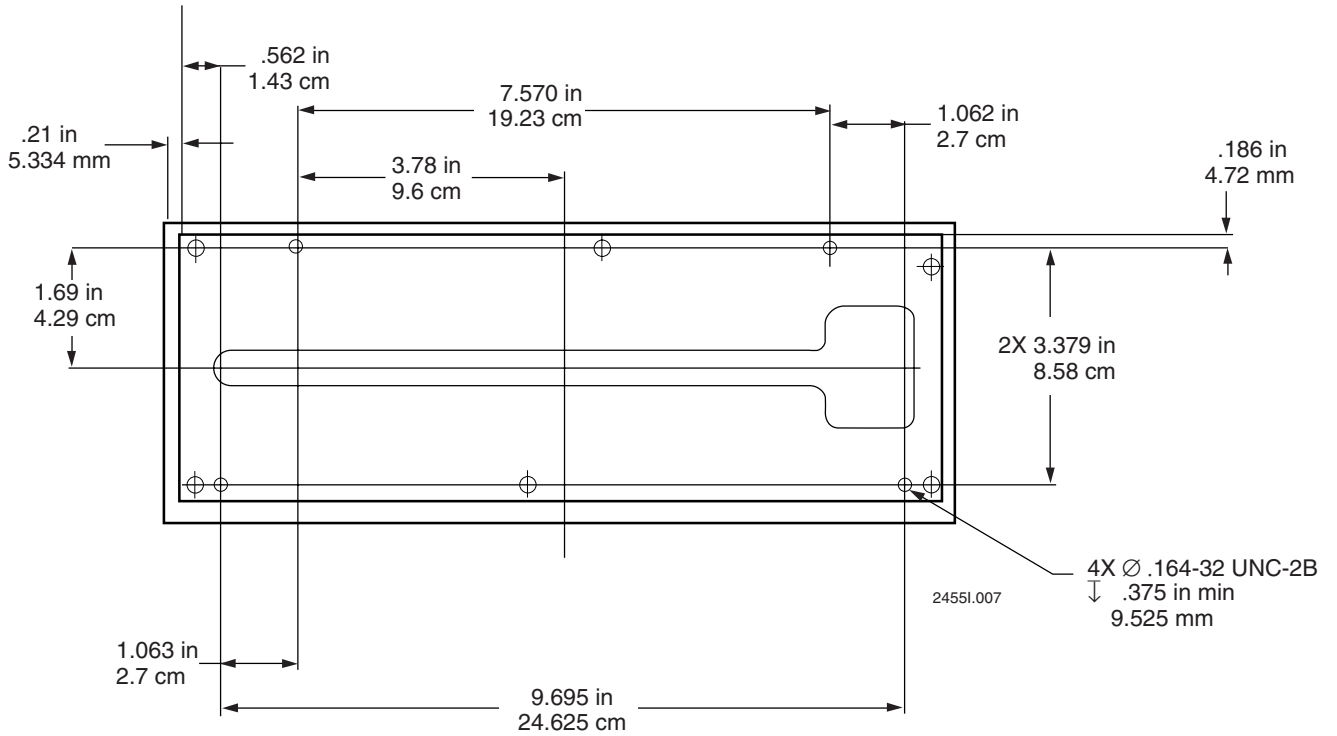


3. Use the straight-slot screwdriver to tighten the screws in the keyboard cable connector and secure the cable to the T2455.
4. Tuck any excess cable into the back of the keyboard.
5. If you attached the keyboard directly to the terminal, you need to mount the terminal and keyboard in the terminal mounting bracket. See the *TRAKKER Antares 2455 Vehicle-Mount Terminal Getting Started Guide* (Part No. 067359) for more information.

Specifications

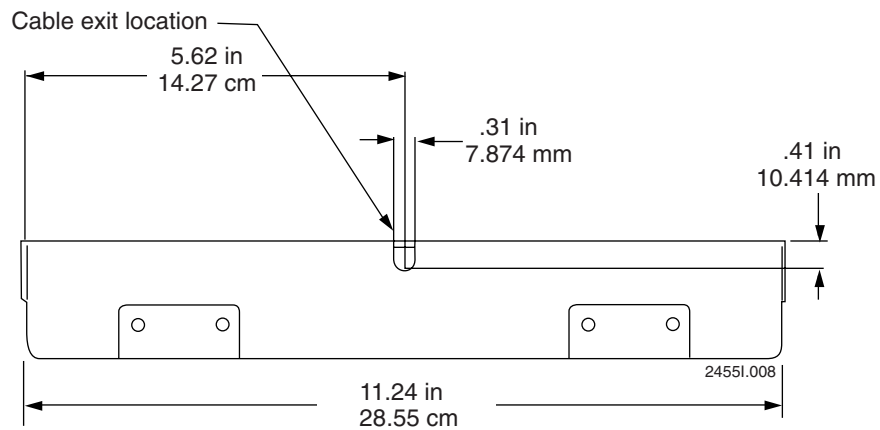
Use the dimensions provided in the following illustrations to create your own keyboard mounting bracket or enclosure.

Keyboard Back Plate Specifications

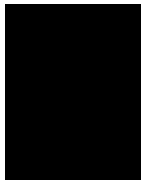


Note: This keyboard back plate illustration is not shown to scale.

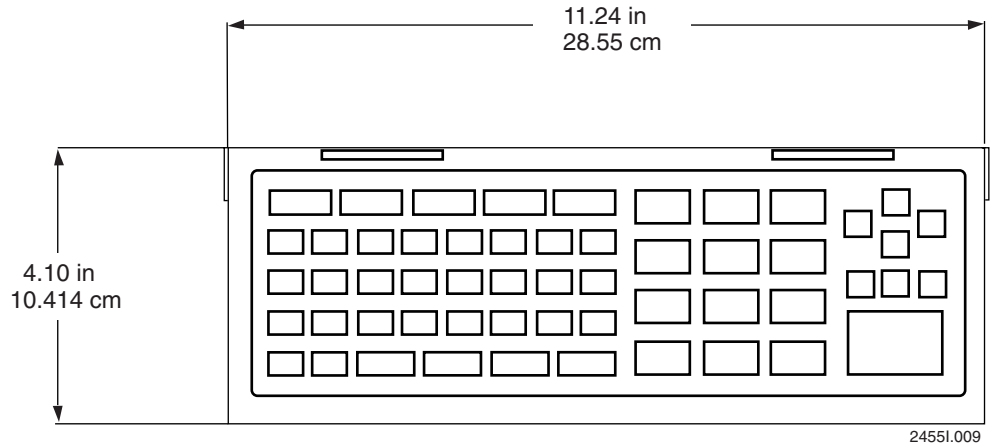
Keyboard Specifications (Top View)



Note: This keyboard illustration is not shown to scale.

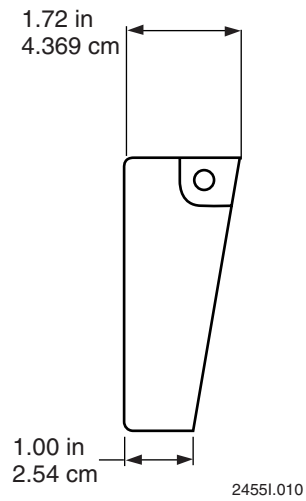


Keyboard Specifications (Front View)



Note: This keyboard illustration is not shown to scale.

Keyboard Specifications (Side View)



Note: This keyboard illustration is not shown to scale.

