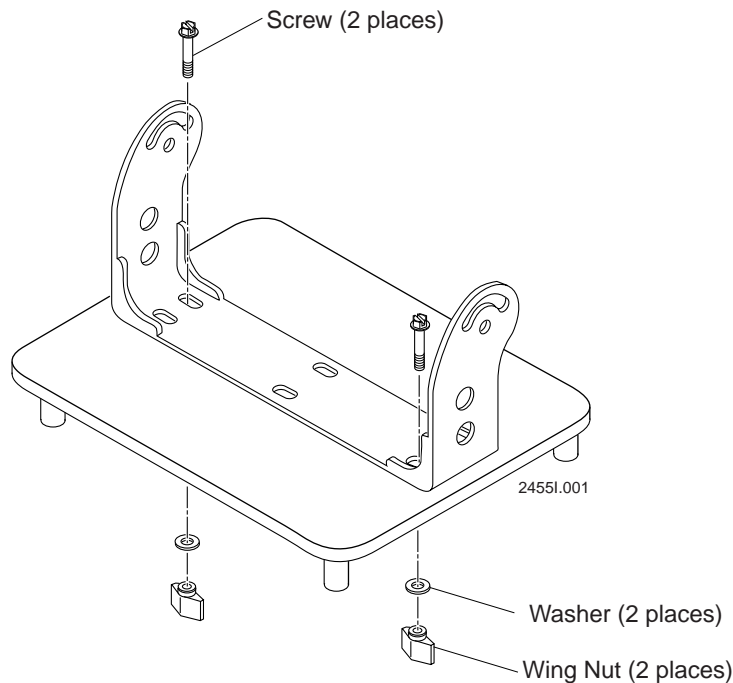


T2455 Desktop Mounting Stand Instruction Sheet

This instruction sheet explains how to mount your TRAKKER® Antares™ 2455 (T2455) vehicle-mount terminal onto the desktop mounting stand. The desktop mounting stand provides a stable platform that is useful when the terminal is not mounted on a vehicle, such as when you are performing a demonstration, servicing the terminal, or developing applications. The desktop mounting stand kit (Part No. 067431) contains these parts:

- Desktop mounting stand
- Screws (2)
- Washers (2)
- Wing nuts (2)



To mount the T2455 on the desktop mounting stand

1. Position the terminal mounting bracket squarely on the desktop mounting stand. Align the mounting holes in the base of the bracket with the holes in the stand.
2. Insert the screws through the bracket into the holes in the mounting stand.
3. Place a washer on each screw.
4. Place a wing nut on each screw and tighten it securely.
5. Mount the T2455 in the terminal mounting bracket according to the instructions in the *TRAKKER Antares 2455 Vehicle-Mount Terminal Getting Started Guide* (Part No. 067359).

Intermec

Technologies Corporation

6001 36th Avenue West
P.O. Box 4280
Everett, WA 98203-9280

© 1998 Intermec
All Rights Reserved

P/N 067361-001