

Trakker Antares 242X Holster and Belt Instructions

The holster is a convenient way to carry the Trakker Antares® 2420 or 2425 terminal at your side when you are not using it. The holster attaches to the belt and holds the terminal at your side.

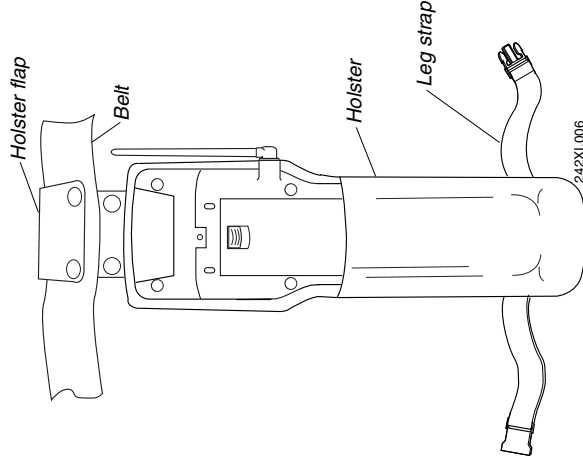
To attach the holster

1. Slide the holster flap over the belt and snap the flap closed.
2. Buckle the belt so it is secure yet comfortable with the holster resting on the outside of the thigh.
3. Wrap the leg strap around your leg. Adjust the leg strap so it is comfortable and then snap the buckle closed.

When you place the terminal into the holster, it is at your side and within easy reach whenever you need to use it.



Note: To protect the terminal and avoid damaging the keypad, make sure that when you place the terminal in the holster, the keypad faces toward your leg.



The holster is a convenient way to carry the Trakker Antares® 2420 or 2425 terminal at your side when you are not using it. The holster attaches to the belt and holds the terminal at your side.

To attach the holster

1. Slide the holster flap over the belt and snap the flap closed.
2. Buckle the belt so it is secure yet comfortable with the holster resting on the outside of the thigh.
3. Wrap the leg strap around your leg. Adjust the leg strap so it is comfortable and then snap the buckle closed.

When you place the terminal into the holster, it is at your side and within easy reach whenever you need to use it.



Note: To protect the terminal and avoid damaging the keypad, make sure that when you place the terminal in the holster, the keypad faces toward your leg.

Trakker Antares 242X Holster and Belt Instructions

The holster is a convenient way to carry the Trakker Antares® 2420 or 2425 terminal at your side when you are not using it. The holster attaches to the belt and holds the terminal at your side.

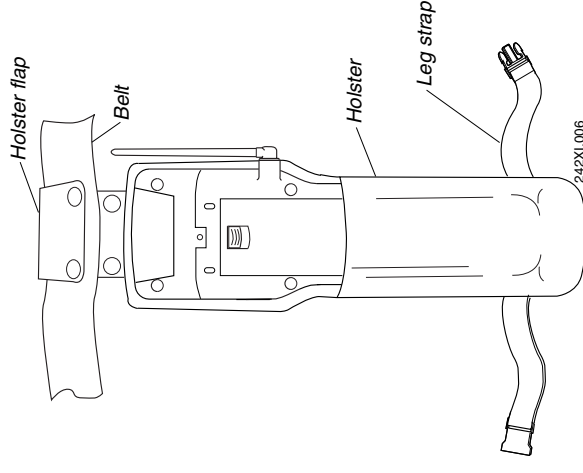
To attach the holster

1. Slide the holster flap over the belt and snap the flap closed.
2. Buckle the belt so it is secure yet comfortable with the holster resting on the outside of the thigh.
3. Wrap the leg strap around your leg. Adjust the leg strap so it is comfortable and then snap the buckle closed.

When you place the terminal into the holster, it is at your side and within easy reach whenever you need to use it.



Note: To protect the terminal and avoid damaging the keypad, make sure that when you place the terminal in the holster, the keypad faces toward your leg.



The holster is a convenient way to carry the Trakker Antares® 2420 or 2425 terminal at your side when you are not using it. The holster attaches to the belt and holds the terminal at your side.

To attach the holster

1. Slide the holster flap over the belt and snap the flap closed.
2. Buckle the belt so it is secure yet comfortable with the holster resting on the outside of the thigh.
3. Wrap the leg strap around your leg. Adjust the leg strap so it is comfortable and then snap the buckle closed.

When you place the terminal into the holster, it is at your side and within easy reach whenever you need to use it.

Intermec
Technologies Corporation

6001 36th Avenue West
P.O. Box 4280
Everett, WA 98203-9280

© 2001 Intermec
All Rights Reserved

Part No. 064215-007



064215-007

Intermec
Technologies Corporation

6001 36th Avenue West
P.O. Box 4280
Everett, WA 98203-9280

© 2001 Intermec
All Rights Reserved

Part No. 064215-007



064215-007