



3600

Batch Takeup
Accessory

Instruction Sheet

Parts Provided:

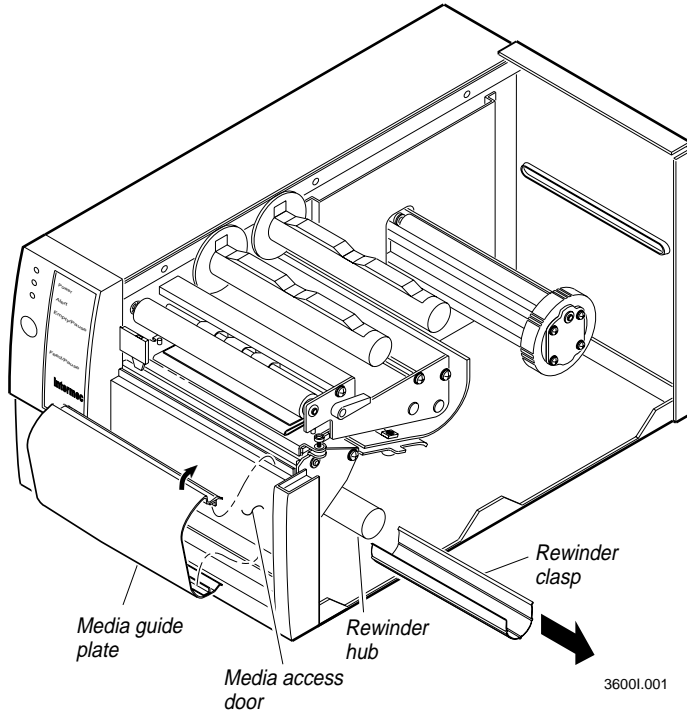
- Batch Takeup Reel
- Media Guide Plate
- Media Clamp

Note: The batch takeup accessory rewinds small batches of labels as they are printed by the 3600 printer. Space inside the printer allows the batch takeup accessory to rewind batches of approximately 1500 inches of media (or 300 five-inch labels).

Step 1

Install the Media Guide Plate onto the Media Access Door

1. Remove the media cover.
2. Remove the rewinder clasp from the rewinder hub.
3. Install the media guide plate to the front of the media access door.

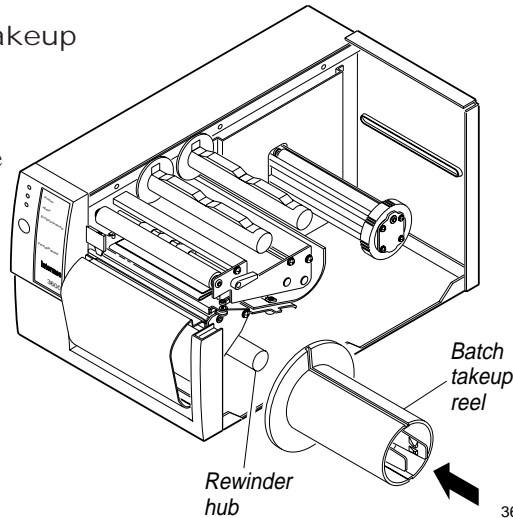




Step 2

Install the Batch Takeup Reel

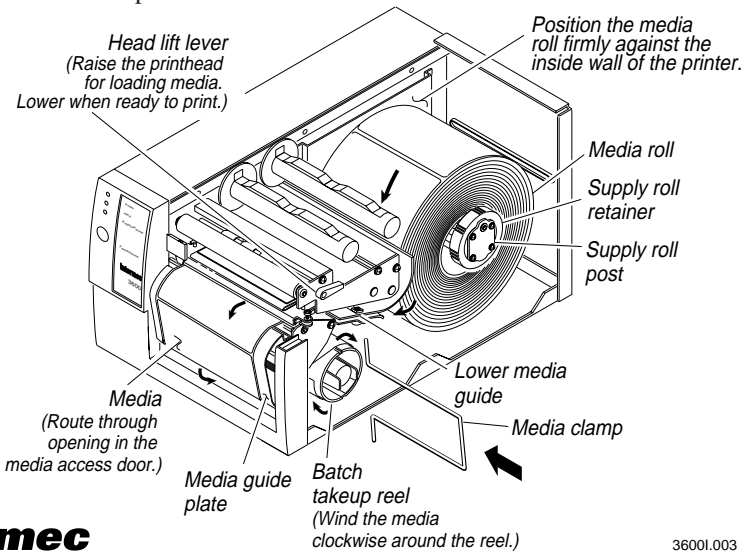
Slide the batch takeup reel all of the way onto the rewinder hub and rotate it counterclockwise until it snaps into place.



Step 3

Loading the Media

1. Refer to "Straight Through Printing" in the *3600 User's Manual* for media loading instructions.
2. Pull at least 12 inches of media out beyond the printhead.
3. Route the media around the media guide plate and through the opening in the media access door.
4. Wind the media clockwise around the batch takeup reel and install the media clamp onto the batch take up reel.



Intermec

Technologies Corporation

6001 36th Avenue West, P.O. Box 4280, Everett, WA 98203-9280

© 1998 Intermec All Rights Reserved

36001.003

PN 062750-001